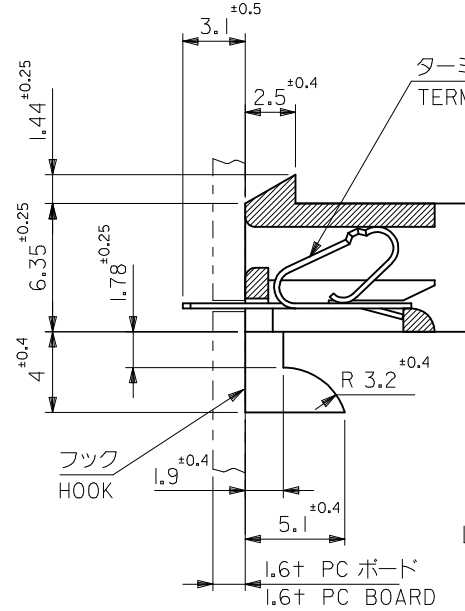


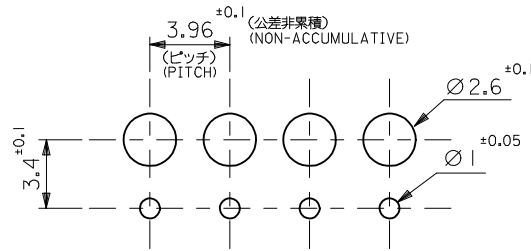
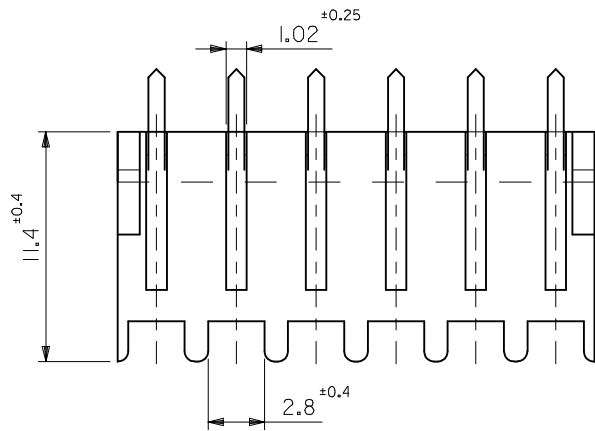
ハウジング (ナイロン66、UL94V-2)
HOUSING (NYLON 66, UL94V-2)



ターミナル (黄銅、銅下付錫メッキ)
TERMINAL (BRASS, TIN OVER COPPER PLATE)

注記
NOTE

1. 端回路リブ付き
RIB STICK TO END CIRCUIT
2. () 内寸法は参考値とする。
() DIMENSION IS FOR REFERENCE



4と5の間 BETWEEN 4 AND 5	4と5の間 BETWEEN 4 AND 5	4と5の間 BETWEEN 4 AND 5	4と5の間 BETWEEN 4 AND 5	4と5の間 BETWEEN 4 AND 5	4と5の間 BETWEEN 4 AND 5
4と5の間 BETWEEN 4 AND 5	43.56 ^{+0.25}	47.42	26-01-1128	5145-12BH	12
5と6の間 BETWEEN 5 AND 6	35.64 ^{+0.25}	39.50	26-01-1108	5145-10BH	10
4と5の間 BETWEEN 4 AND 5	31.68 ^{+0.2}	35.54	26-01-1098	5145-09BH	9
4と5の間 BETWEEN 4 AND 5	27.72 ^{+0.2}	31.58	26-01-1088	5145-08BH	8
—	23.76 ^{+0.2}	27.62	26-01-1078	5145-07BH	7
—	19.80 ^{+0.2}	23.66	26-01-1068	5145-06BH	6
—	15.84 ^{+0.15}	19.70	26-01-1058	5145-05BH	5
—	11.88 ^{+0.15}	15.74	26-01-1048	5145-04BH	4
—	7.92 ^{+0.15}	11.78	26-01-1038	5145-03BH	3
—	3.96 ^{+0.1}	7.82	26-01-1028	5145-02BH	2
中央フック位置 CENTER HOOK	B	(A)	PART NO.	MATERIAL NO.	種数 NO. OF CKTS.

REVISED EC NO: J2009-0510 DRWN: MAKURAA 2008/12/08 CHKD: T. HARIYAMA 2008/12/08 APPR: NUKITA 2009/01/13	GENERAL TOLERANCES (UNLESS SPECIFIED)		DIMENSION STYLE MM ONLY	SCALE 4:1	DESIGN UNITS METRIC	THIRD ANGLE PROJECTION
	10 UNDER	± ---	DRAWN BY S. ANDO	DATE '96/5/24	TITLE KK3.96 SOLDER REC HSG ASSY	
	10 OVER 30 UNDER	± ---	CHECKED BY M. FUKUSHIMA	DATE '96/5/24	MOLEX INCORPORATED	
	30 OVER	± ---	APPROVED BY M. ENOMOTO	DATE '96/5/24	DOCUMENT NO. SD-5145-001	SHEET NO. 1 OF 1
ANGULAR	± --- °	MATERIAL NO. SEE TABLE		THIS DRAWING CONTAINS INFORMATION THAT IS PROPRIETARY TO MOLEX INCORPORATED AND SHOULD NOT BE USED WITHOUT WRITTEN PERMISSION		
DRAFT WHERE APPLICABLE MUST REMAIN WITHIN DIMENSIONS						

材料ハウジング: ナイロン66、UL94V-2
MATERIAL HOUSING: NYLON 66, UL94V-2
ターミナル: 黄銅、銅下付錫メッキ、0.254 t
TERMINAL: BRASS, TIN OVER COPPER PLATE
0.254 t

NOTE.

DIMENSION SHOWN IN () ARE REFERENCE.

PART No. 26-01-1**8
ENG. No. SD-5145-NB4

F

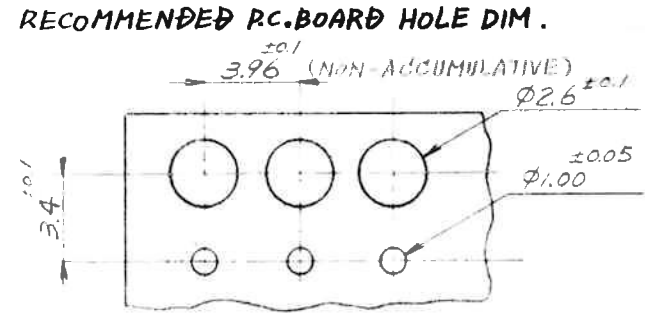
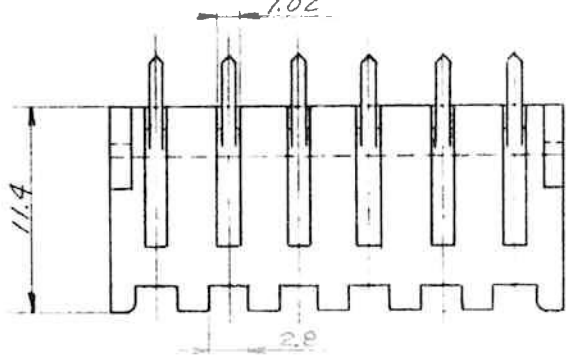
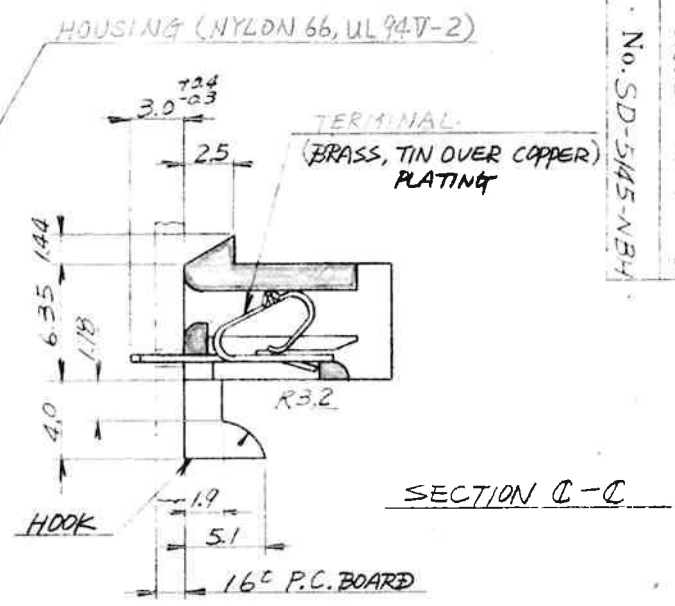
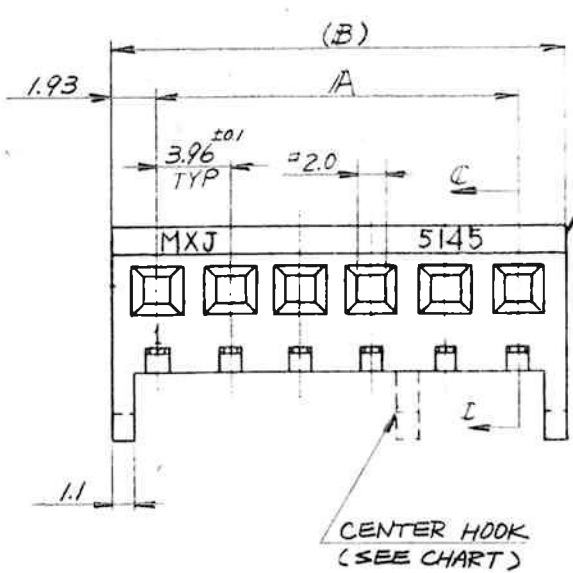
E

D

C

B

A



5145-14BH	26-01-1148	14	51.48 ^{+0.30}	55.4	526, 9&10
5145-07BH	26-01-1078	7	23.76 ^{+0.20}	27.62	"
5145-5BH	NOT TOOLED	5	55.44 ^{+0.30}	59.30	526, 10&11
-12BH	26-01-1128	12	43.56 ^{+0.25}	47.42	425, 8&9
-10BH	1108	10	35.64 ^{+0.25}	39.50	526
-09BH	1098	9	31.63 ^{+0.20}	35.54	425
-08BH	1088	8	27.72 ^{+0.20}	31.58	425
-06BH	1068	6	19.90 ^{+0.20}	23.66	"
-05BH	1058	5	5.84 ^{+0.3}	19.70	"
-04BH	1048	4	11.00 ^{+0.5}	15.74	"
-03BH	1038	3	7.92 ^{+0.15}	11.78	"
5145-02BH	26-01-1028	2	3.96 ^{+0.10}	7.82	"
ENG NO	PART NO	No. OF CKT	A DIM.	(B) DIM.	CENTER HOOK LOCATION

DIMENSION SHOWN METRIC/INCH 指示寸法		TITLE KK 3.96 SOLDER REC. HSG. ASSY	
UNLESS OTHERWISE SPECIFIED TOLERANCE 指示公差		MOLEX (JAPAN) CO., LTD. 日本モレックス株式会社	
0.00 ±0.08 .05 ±0.25 0 ±0.40		558, FUKAMI, YAMATO, KANAGAWA, JAPAN	
DO NOT SCALE DRAWING. 図面の実測をなすこと		PART No. 26-01-1**8	
DRWG.		SIZE A	
DSN'D		REV. G	
CHK'D		ENG. No. SD-5145-NB4	
APP'D			
LTR 記号	REVISIONS 変更内容	DATE	NAME