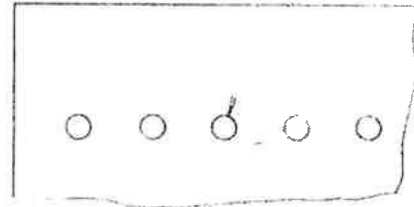
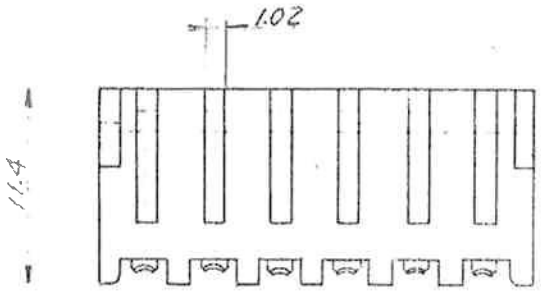
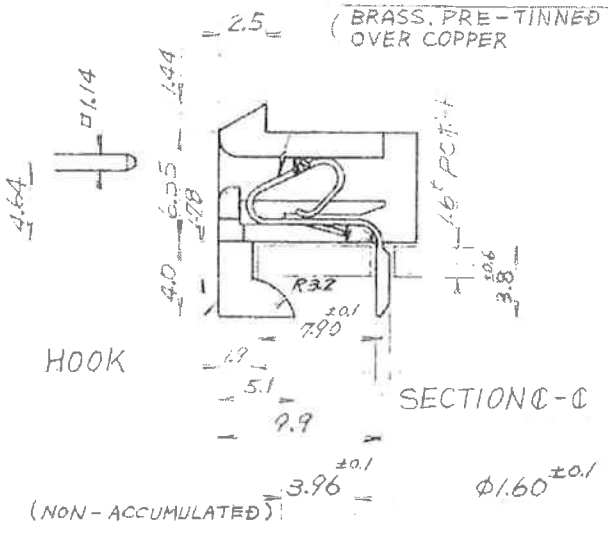
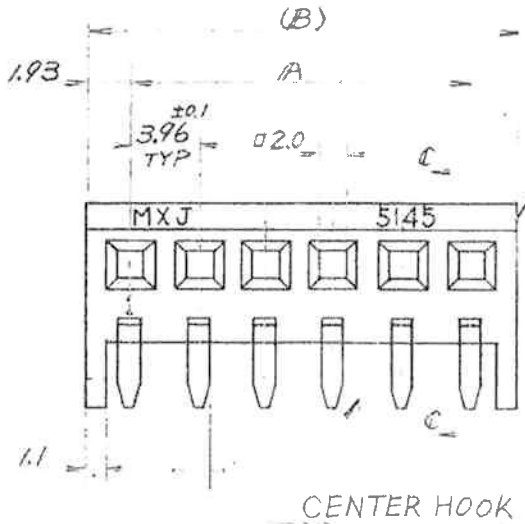


PART No. 26-01-1**6
ENG. No. SD-5145-NAH



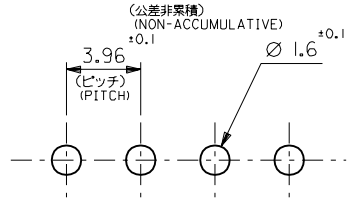
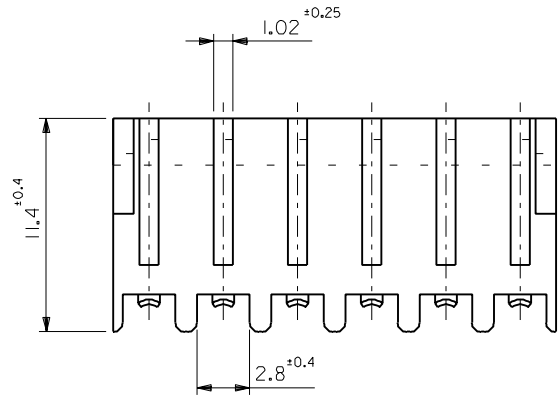
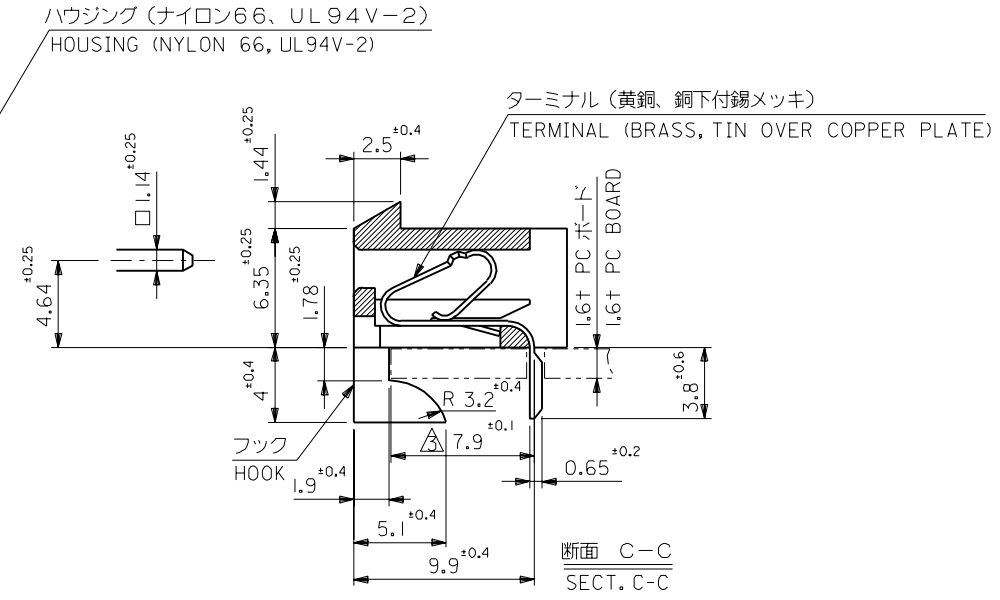
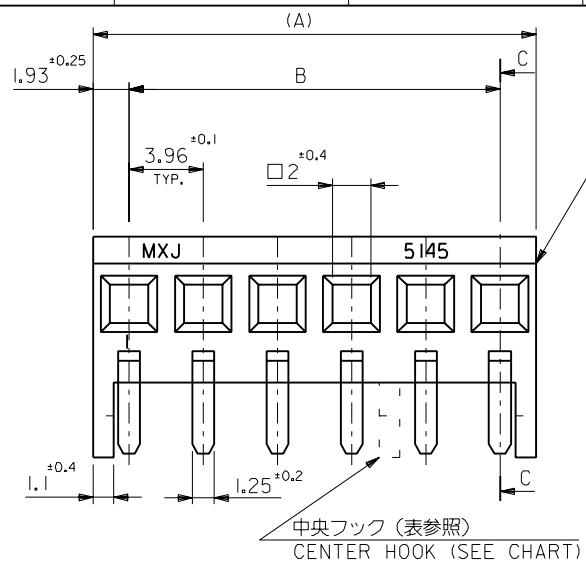
NOTE (): REFERENCE

5145-11AH	26-01-1116	11	39.6 ±0.25	43.46	5 & 6
-12AH	-1126	12	43.56 ±0.25	47.42	4 & 5, 8 & 9
-10AH	-1106	10	35.64 ±0.25	39.50	5 & 6
-09AH	-1086	9	31.65 ±0.20	35.54	4 & 5
-08AH	-1066	8	27.72 ±0.10	31.58	4 & 5
-06AH	-1066	6	19.80 ±0.20	23.66	
-05AH	-1056	5	15.84 ±0.15	19.70	
-04AH	-1046	4	11.88 ±0.5	15.74	
-03AH	-1036	3	7.92 ±0.15	11.78	
5145-02AH	26-01-1126	2	3.96 ±0.10	7.82	

ENG. No. PART No. NO. OF CKTS. A DIM. (B) DIM. CENTER HOOK LOCATION BETWEEN CKTS.

DIMENSIONS SHOWN IN INCH UNLESS OTHERWISE SPECIFIED		TITLE	
DO NOT SCALE DRAWING		KK 3.96 SOLDER REC. HSG. ASSY	
DRWG.		MOLEX (JAPAN) CO., LTD. 日本モレックス株式会社 558, FUKAMI, YAMATO, KANAGAWA, JAPAN	
REVISED J2009-0110 08/01/09 NA HT		PART No. SIZE	
ADDED "11AH" BY ECN No. 4555 11/20/05 S.S. H.H.		26-01-1**6 A	
LTR 記号 REVISIONS 変更内容 DATE NAME APP'D		ENG. No. REV.	
		SD-5145-NAH H	

THIS DRAWING CONTAINS INFORMATION THAT IS PROPRIETARY TO MOLEX (JAPAN) AND SHOULD NOT BE USED WITHOUT WRITTEN PERMISSION
本図面は日本モレックス株式会社の所有する情報を含むもので、本社の許可なく複製を禁じます。



基板取付穴推奨寸法
RECOMMENDED PC BOARD HOLE DIMENSION

中央フック位置 CENTER HOOK	B	(A)	PART. NO.	ENG. NO.	種別 NO. OF CKTS.
5と6の間 BETWEEN 5 AND 6	55.44 ^{+0.3}	59.3	26-01-1156	5145-15AH	15
4と5の間 BETWEEN 4 AND 5	43.56 ^{+0.25}	47.42	-1126	-12AH	12
5と6の間 BETWEEN 5 AND 6	39.6 ^{+0.25}	43.46	-1116	-11AH	11
5と6の間 BETWEEN 5 AND 6	35.64 ^{+0.25}	39.5	-1106	-10AH	10
4と5の間 BETWEEN 4 AND 5	31.68 ^{+0.2}	35.54	-1096	-09AH	9
4と5の間 BETWEEN 4 AND 5	27.72 ^{+0.2}	31.58	-1086	-08AH	8
—	23.76 ^{+0.2}	27.62	-1076	-07AH	7
—	19.8 ^{+0.2}	23.66	-1066	-06AH	6
—	15.84 ^{+0.15}	19.7	-1056	-05AH	5
—	11.88 ^{+0.15}	15.74	-1046	-04AH	4
—	7.92 ^{+0.15}	11.78	-1036	-03AH	3
—	3.96 ^{+0.1}	7.82	26-01-1026	5145-02AH	2

注記
NOTE

- 端回路リブ付き
RIB STICK TO END CIRCUIT
- () 内寸法は参考値とする。
() DIMENSION IS FOR REFERENCE
- P.C. BOARD 端面から基板穴までの距離
LENGTH FROM P.C. BOARD HOLE TO EDGE

角度 ANGLE	公差 TOLERANCES	記号 LTR	変更内容 REVISION RECORD	DR. CHK.	日付 DATE	S.N. M.F.	再作図 REDRAWN	材料 HOUSING: ナイロン66, UL94V-2 TERMINAL: 黄銅, 銅下付錫メッキ FINISH: TIN OVER COPPER PLATE 0.254t	適用電線範囲 WIRE RANGE	被覆外径 INS. RANGE
30以上 OVER	+0.3									
10以上 30未満 OVER UNDER	+0.25	K	変更 REVISD (JC80184)		97/09/02			DRAWN BY: 96/05/24		
10未満 UNDER	+0.2	J	再作図 REDRAWN (JC70319)		96/05/24			CHK'D BY: 97/09/02		
一般公差 GENERAL TOLERANCES								APP'D BY: 97/09/02		

MOLEX MOLEX-JAPAN CO.,LTD.
日本モレックス株式会社

REVISE ONLY ON CAD SYSTEM

TITLE 名称
KK3.96 SOLDER REC. HSG. ASSY

DWG. NO. SD-5145-NAH

REV K