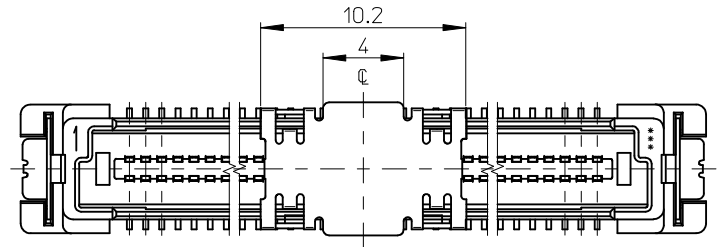
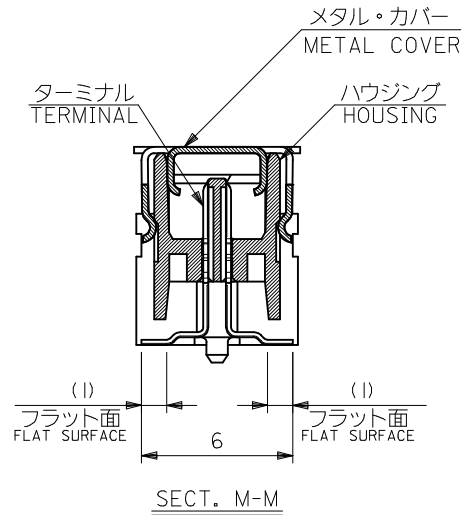
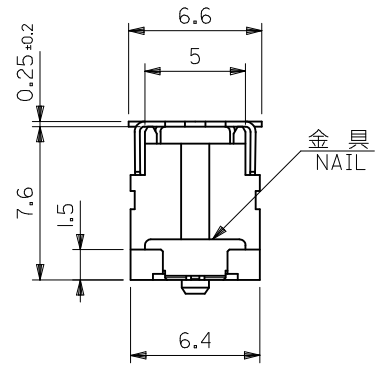
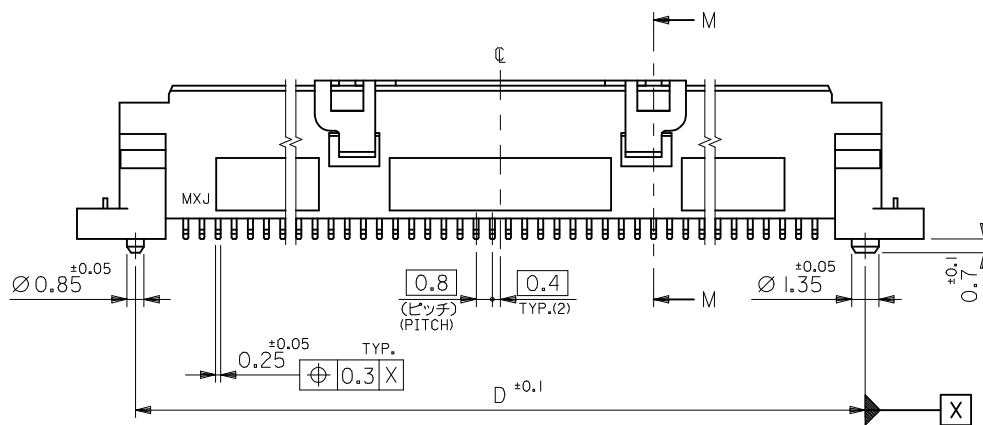
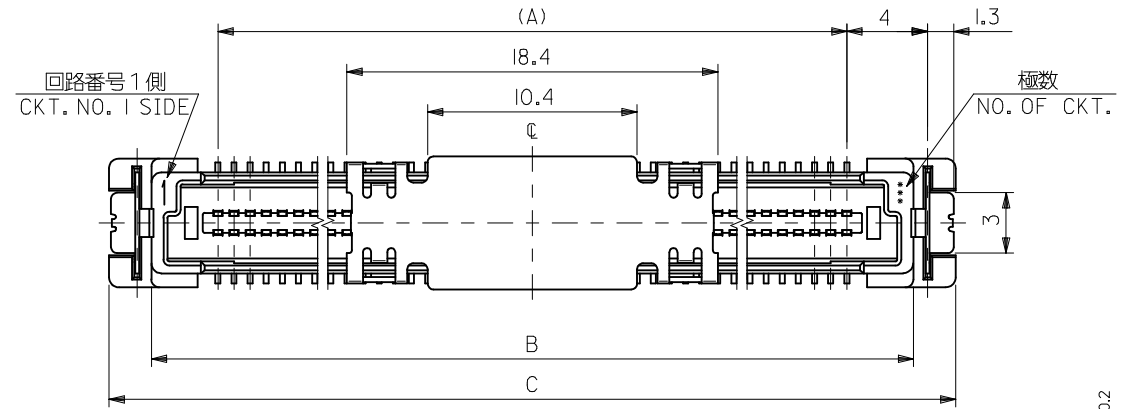


10 9 8 7 6 5 4 3 2 1

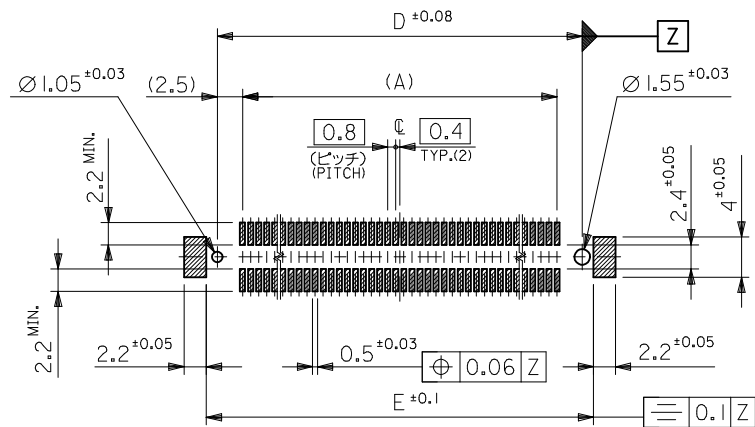


40~80極の場合に適用
APPLIES 40~80 CKT.

53493-***71	78.4	76.2	82	77.8	71.2	53493-1871	180
	62.4	60.2	66	61.8	55.2	53493-1471	140
	38.4	36.2	42	37.8	31.2	53493-0871	80
	22.4	20.2	26	21.8	15.2	53493-0471	40
MODEL NO.	E	D	C	B	A	MATERIAL NO.	極数 NO. OF CKTS.

REVISED EC NO: J2015-0923 DRWN: TARA 01 2015/01/16 CHKD: TASAKAWA 2015/01/16 APPR: KMORI KAWA 2015/01/20	GENERAL TOLERANCES (UNLESS SPECIFIED)		DIMENSION STYLE MM ONLY		SCALE ---	DESIGN UNITS METRIC	THIRD ANGLE PROJECTION
	0.25 UNDER	UNDER	±0.03	DRAWN BY T. UENO	DATE 2004/02/25	TITLE 0.8 B/B CONN. PLUG HOUSING ASSY WITH COVER -LEAD FREE-	
	0.25 OVER	0.5 UNDER	±0.05	CHECKED BY M. SASAO	DATE 2004/02/25		
	0.5 OVER	1.0 UNDER	±0.1	APPROVED BY M. SASAO	DATE '04/2/25		
	1.0 OVER	10 UNDER	±0.2	MATERIAL NO.	DOCUMENT NO.	SHEET NO. 1 OF 2	
10 OVER	30 UNDER	±0.25	SEE CHART		SD-53493-003		
30 OVER		±0.3	THIS DRAWING CONTAINS INFORMATION THAT IS PROPRIETARY TO MOLEX INCORPORATED AND SHOULD NOT BE USED WITHOUT WRITTEN PERMISSION				
ANGULAR	±3 °						
DRAFT WHERE APPLICABLE MUST REMAIN WITHIN DIMENSIONS							

9 8 7 6 5 4 3 2 1



推奨基板寸法
RECOMMENDED PCB PATTERN LAYOUT

注記
NOTES

1. 材質
MATERIAL

ハウジング：ガラス入りLCP、白色、UL94V-0
HOUSING : G.F.LCP, WHITE, UL94V-0
ターミナル：黄銅 (t=0.2)
TERMINAL : BRASS
金具：燐青銅 (t=0.2)
NAIL : PHOSPHOR BRONZE
メタル・カバー：ステンレス鋼 (t=0.25)
METAL COVER : STENLESS STEEL

2. メッキ仕様
PLATING

ターミナル：接点部：金メッキ 0.2µmMIN.
TERMINAL : CONTACT AREA : GOLD 0.2µmMIN.
半田付け部：錫メッキ 1.0µmMIN.
SOLDER TAIL AREA : TIN 1.0µmMIN.
下地メッキ：ニッケルメッキ 1.3µmMIN.
UNDER-PLATING : NICKEL 1.3µmMIN.
金具：錫メッキ 1.0µmMIN.
NAIL : TIN 1.0µmMIN.
下地メッキ：ニッケルメッキ 1.0µmMIN.
UNDER-PLATING : NICKEL 1.0µmMIN.

3. ターミナル及び金具の半田付面のバラツキ寸法
TERMINAL AND NAIL COPLANARITY

Y面を基準とし、上へ0.05 下へ 0.1 の範囲にあり、
且つテール平坦度は0.1 MAX.とする。
TAILS TO BE WITHIN 0.05 UPWARD AND 0.1 DOWNWARD FROM Y-DATUM PLANE,
AND TAIL COPLANARITY TO BE 0.1 MAX.

4. 同一基板内に複数個 (2ヶ以上) の使用は避けてください。
MXJ DOES NOT RECOMMEND THE USAGE OF TWO OR MORE OF THESE CONNECTORS
BETWEEN A SINGLE PAIR OF P.C.BOARD.

5. 本製品は 53493-***1 の鉛フリー品である。
THIS PRODUCT IS LEAD FREE OF 53493-***1.

REVISED EC NO: J2015-0923 DRWN: TARA.01 2015/01/16 CHKD: TASAKAWA 2015/01/16 APPR: KMORIKAWA 2015/01/20	GENERAL TOLERANCES (UNLESS SPECIFIED)			DIMENSION STYLE MM ONLY		SCALE ---	DESIGN UNITS METRIC	THIRD ANGLE PROJECTION	
	0.25 UNDER	UNDER	±0.03	DRAWN BY	DATE	TITLE			
	0.25 OVER	0.5 UNDER	±0.05	T. UENO	2004/02/25	0.8 B/B CONN. PLUG HOUSING ASSY WITH COVER -LEAD FREE-			
	0.5 OVER	1.0 UNDER	±0.1	CHECKED BY	DATE				
	1.0 OVER	10 UNDER	±0.2	M. SASAO	2004/02/25	molex			
	10 OVER	30 UNDER	±0.25	APPROVED BY	DATE				
30 OVER		±0.3	M. SASAO	'04/2/25	MATERIAL NO. 53493-***71		DOCUMENT NO. SD-53493-003	SHEET NO. 2 OF 2	
ANGULAR	±3 °		DRAFT WHERE APPLICABLE MUST REMAIN WITHIN DIMENSIONS			THIS DRAWING CONTAINS INFORMATION THAT IS PROPRIETARY TO MOLEX INCORPORATED AND SHOULD NOT BE USED WITHOUT WRITTEN PERMISSION			