

RoHS Compliant				PROJECTION:	GENERAL TOLERANCE		DESCRIPTION: Compact Flash Card Connector - Header - 50 pins - WR-CRD	SIZE A4
C	05-NOV-14	COLOR + DISCLAIM.	AS	APPROVAL: NPr	UNIT: MM			
B	17-FEB-12	TKP	GG		SCALE:	WERI PART NO: 693 120 015 011		
A	31-AUG-11	PDF	GG		SHEET: 1/3			
REV	DATE	FILE	BY		DRAW: AS			

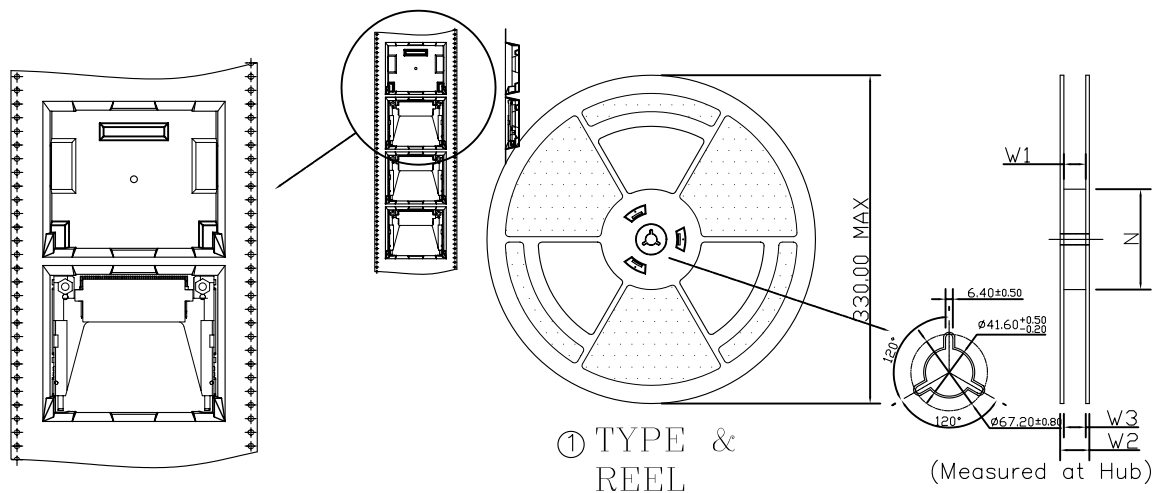
1

2

3

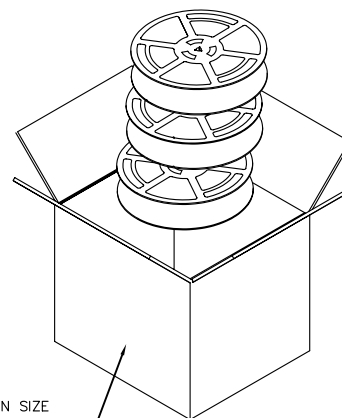
4

5

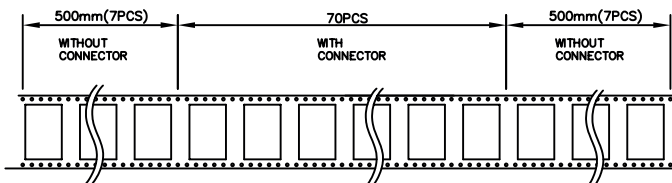


NOTES
 1. MATERIALS: PS (BLUE)
 2. PACKING: 70PCS/TYPE & REEL
 (210PCS/CARTON)

Tape Size	N (Min)	W1 ^{+2.00} / ₋₀	W2(Max)	W3(Max)
72	100	72.4	78.4	75.4

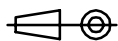


CARTON SIZE
 355(L)X355(W)X330(H)



RoHS Compliant

PROJECTION:



GENERAL TOLERANCE

.X = +/- 0.2

.XX = +/- 0.15



APPROVAL: NPr

UNIT: MM

SCALE:

SHEET: 2/3

DRAW: AS

DESCRIPTION: Compact Flash Card Connector - Header - 50 pins - WR-CRD

WERI PART NO: 693 120 015 011

SIZE

A4

REV

DATE

FILE

BY

D

C

B

A

1

2

3

4

5

Cautions and Warnings:

This electronic component is designed and developed with the intention for use in general electronics equipments.

Before incorporating the components into any equipments in the field such as aerospace, aviation, nuclear control, submarine, transportation, (automotive control, train control, ship control), transportation signal, disaster prevention, medical, public information network etc. where higher safety and reliability are especially required or if there is possibility of direct damage or injury to human body, Würth Elektronik must be asked for a written approval.

In addition, even electronic component in general electronic equipments, when used in electrical circuits that require high safety, reliability functions or performance, the sufficient reliability evaluation-check for the safety must be performed before by the user before usage.

A

B

C

RoHS Compliant

G				PROJECTION: 	GENERAL TOLERANCE .X = +/- 0.2 .XX = +/- 0.15		
F							
E							
D							
C				APPROVAL: JC	UNIT: MM	DESCRIPTION: DISCLAIMER	SIZE A4
B					SCALE:		
A	10-SEP-14	PDF	QL		SHEET: 3/3	WERI PART NO: DISCLAIMER	
REV	DATE	FILE	BY		DRAW: QL		

D