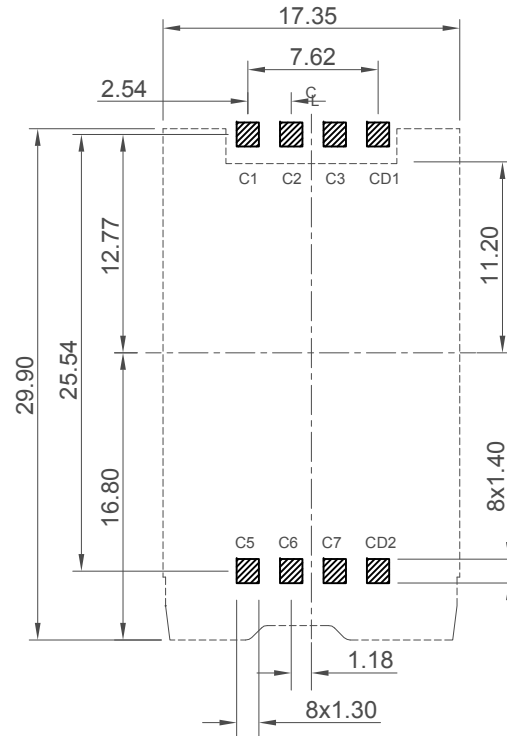
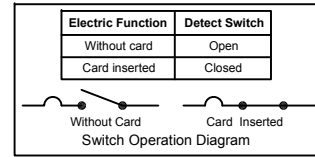


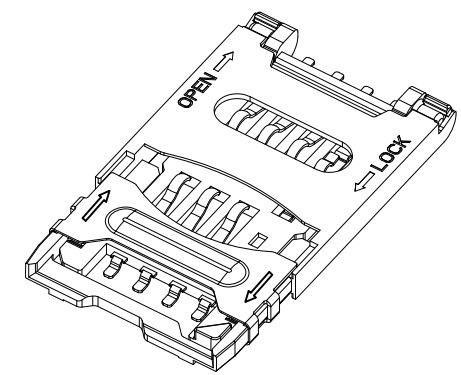
SECTION A-A

C1	VCC
C2	RST
C3	CLK
C5	GND
C6	Vpp
C7	I/O



Recommended PCB Layout
General Tolerance ±0.05
As viewed from component side

Solder Area Component Outline



Specification 规格:

Material 物料规格:
Housing 塑胶主体: LCP UL94V-0
Contact Terminal 接触端子: Phosphor Bronze
Metallic Shell 金属外壳: Stainless Steel - SUS304

Plating 电镀规格:
Contact Terminal plating 接触端子部分电镀:
Contact Area: 5µ" Gold
Soldering Area: 100µ" Tin
Under-plating: 50µ" Nickel above

Electrical 电气规格:
Voltage Rating 电压额定值: 50 V max.
Current Rating 电流额定值: 1A max.
Operating Temperature 工作温度: -40°C to +85°C
Contact Resistance 接触电阻值: 50 mΩ typical, 100 mΩ max.
Insulating Resistance 绝缘电阻值: 1000 MΩ min. (Apply施加500V DC)
Dielectric Withstanding Voltage 耐电压: 500 VAC for 1 minute

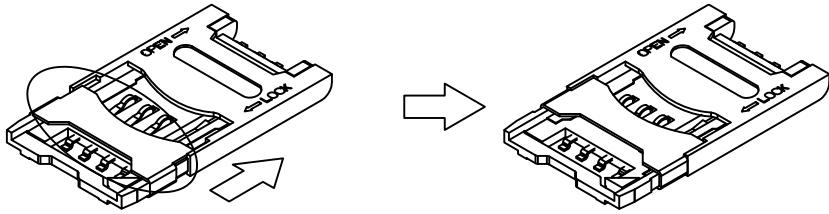
Mechanical 机械性规格:
Durability 耐久性: 5,000 cycles

Ordering Grid
SIM5055 - **6** - **1** - **25** - **00** - **A**
 No. of Contacts: 6
 Card Detection Switch: 1 = With Switch (Normally Open)
 Packing Options: A = Tape & Reel (900 per Reel)
 Locating Post: 00 = Without

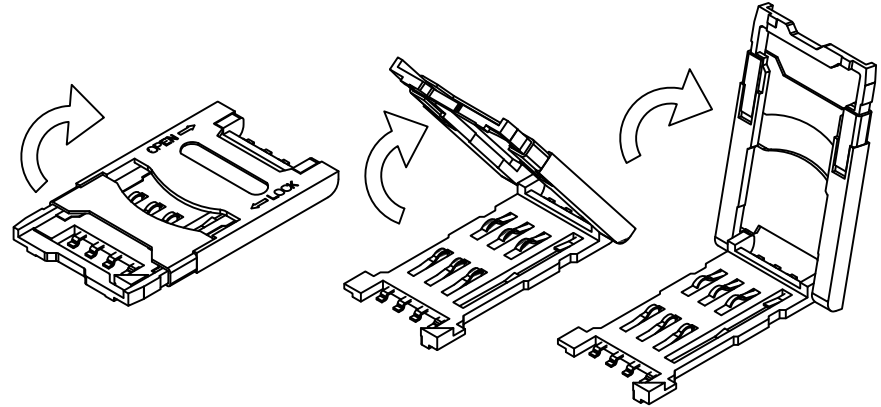
Part Number		Product Description	
SIM5055		SIM Card Connector, Hinged Type, 6 Pin, SMT, 2.50mm Profile, with Card Detection Switch	
Drawing Date		3rd November 2010	
By	AJO	Tolerances (Except as Noted)	
Detail	SIM5055 GPCN	Length	X ± 0.35
Revision	G	Angle	X° ± 5°
Date	09/04/15		X.X ± 0.25
			X.XX ± 0.15
			X.XXX ± 0.10
			X.XXX° ± 3°
			X.XXX° ± 2°
Units:		Metric (mm)	
		3rd Angle Projection	
		This drawing is confidential and copyright of Global Connector Technology, Ltd (GCT). This drawing must not be copied or disclosed without written consent. E & OE	
Not to Scale	Drawn By SA	Sheet No. 1/3	

GCT
Global Connector Technology
www.gct.co

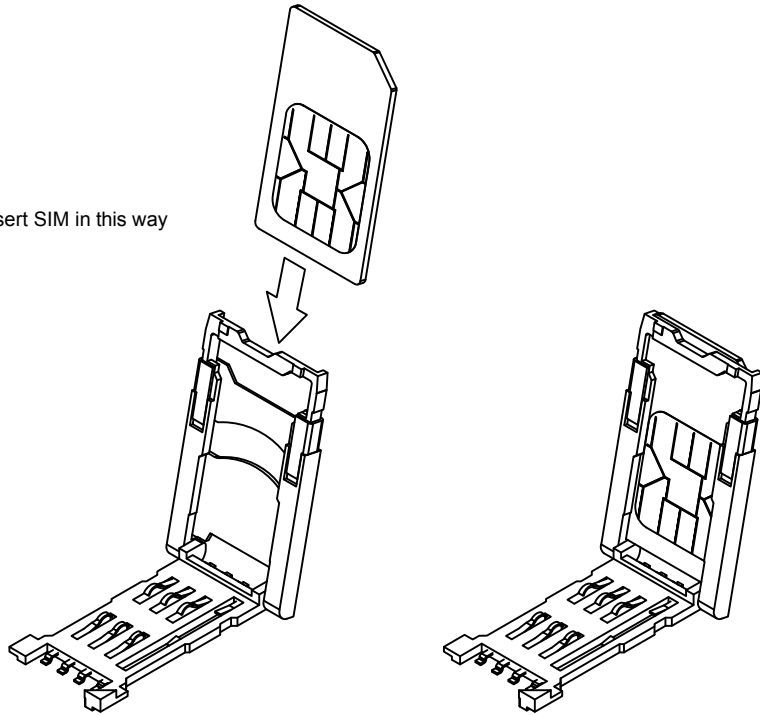
1 Slide metal lock back



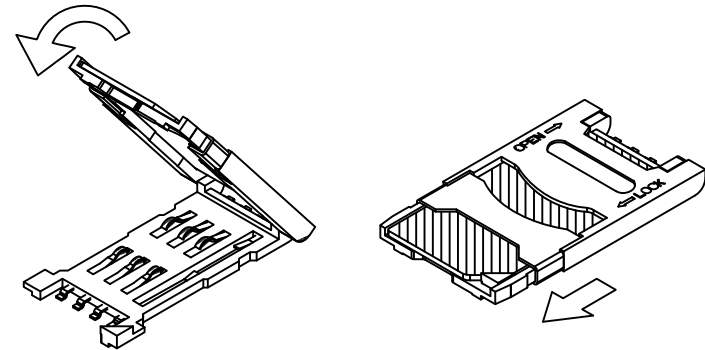
2 Open card holder section to allow SIM card to be inserted



3 Insert SIM in this way

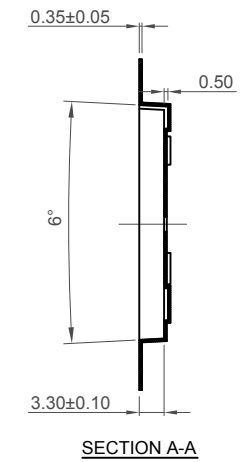
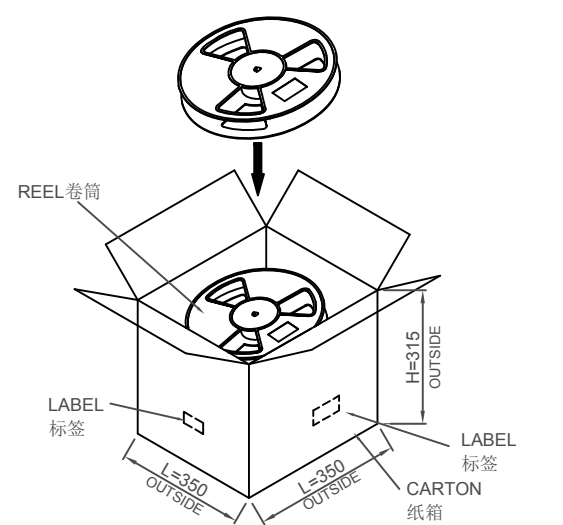
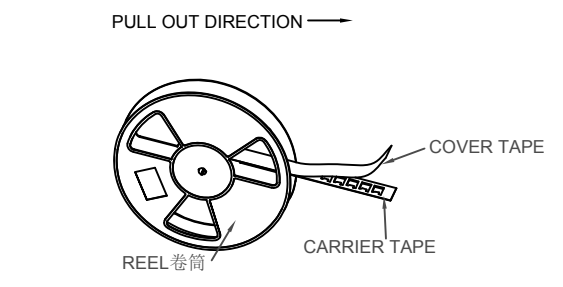
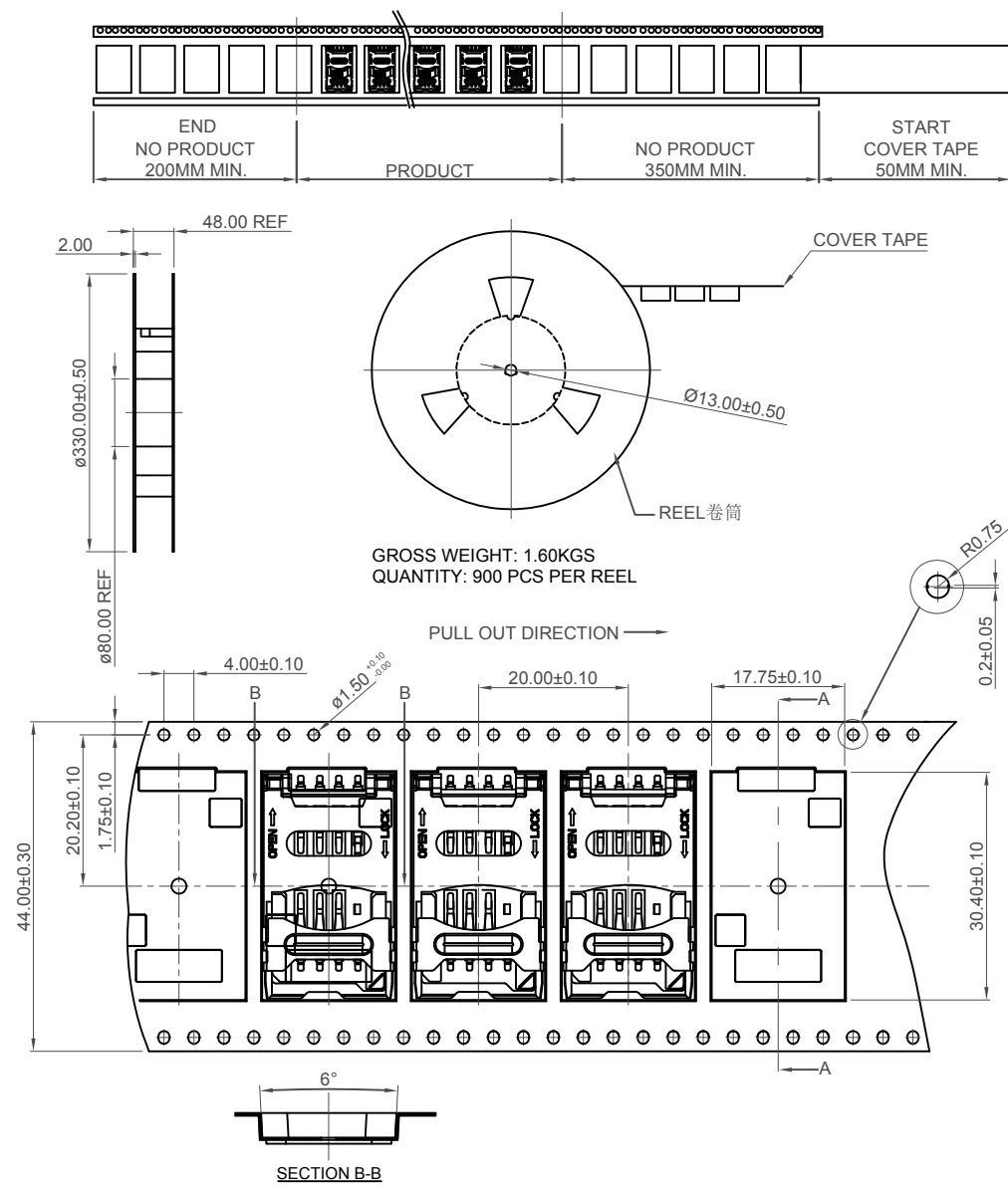


4 Rotate lid back and slide metal clip back to lock holder in position



Part Number		Product Description			This drawing is confidential and copyright of Global Connector Technology, Ltd (GCT). This drawing must not be copied or disclosed without written consent. E & OE
SIM5055		SIM Card Connector, Hinged Type, 6 Pin, SMT, 2.50mm Profile, with Card Detection Switch			
Drawing Date		3rd November 2010			
By	AJO	Tolerances (Except as Noted)	Units:		
Detail	SIM5055 G PCN				
Revision	G	Angle			
Date	09/04/15				
				Global Connector Technology www.gct.co	
				Not to Scale Drawn By SA Sheet No. 2/3	

H
G
F
E
D
C
B
A



GROSS WEIGHT: 10.88Kg
QUANTITY: 5400 Pcs per carton
DIMENSIONS: 35.00L X 35.00W X 31.50H cm

Part Number		Product Description		
SIM5055		SIM Card Connector, Hinged Type, 6 Pin, SMT, 2.50mm Profile, with Card Detection Switch		
Drawing Date		3rd November 2010		
By	AJO	Tolerances (Except as Noted)	Units:	 This drawing is confidential and copyright of Global Connector Technology, Ltd (GCT). This drawing must not be copied or disclosed without written consent. E & OE
Detail	SIM5055 G PCN			
Revision	G	Angle		 3rd Angle Projection
Date	09/04/15			
Not to Scale		Drawn By SA		Sheet No. 3/3

GCT
Global Connector Technology
www.gct.co