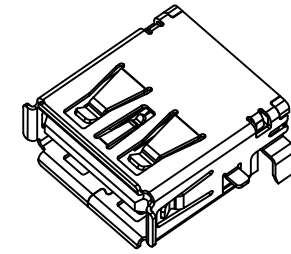


Recommended PCB Layout
as viewed from component side



Specifications 规格

Material 物料

Plastic Housing 塑胶外壳: LCP, UL94V-0 Blue
 Contact Terminal 接触端子: Phosphor Bronze
 Metallic Shell 金属外壳: Brass

Plating 电镀

Underplating 底层电镀: Nickel 50μ" (Contact Area & Solder Tails)
 Contact Area 接触面积: 30μ" Gold
 Solder Tails 焊接末端: 100μ" min. Tin
 Metallic Shell 金属外壳: Nickel 80μ" min.

Electrical 电气

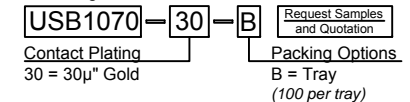
Voltage Rating 电压额定值: 100 V AC
 Current Rating 电流额定值:
 0.25A (Signal Pins 信号引脚 2,3,5,6,7,8,9)
 1.8A (Power Pins 电源引脚 1,4)
 Operating Temperature 工作温度: -55°C to +85°C
 Contact Resistance 接触电阻值: 30 mΩ max.
 Insulating Resistance 绝缘电阻值: 1000 MΩ min.
 Dielectric Withstand Voltage 耐电压: 100V AC/minute

Mechanical & Environmental 机械 & 环境

Mating Force 插入力: 35N max.
 Unmating Force 拔出力: 10N min. initial, 8N min. after test
 Durability 耐久性: 5000

PIN LAYOUT			
PIN #	SIGNAL NAME	DESCRIPTION	MATING SEQUENCE
1	VBUS	POWER	SECOND
2	D-	USB 2.0 DIFFERENTIAL PAIR	THIRD
3	D+		
4	GND	GROUND FOR POWER RETURN	SECOND
5	STDA_SSRX-	SUPERSPEED RECEIVER DIFFERENTIAL PAIR	LAST
6	STDA_SSRX+		
7	GND_DRAIN	GROUND FOR SIGNAL RETURN	
8	STDA_SSTX-	SUPERSPEED TRANSMITTER DIFFERENTIAL PAIR	
9	STDA_SSTX+		
SHELL	SHIELD	CONNECTOR METAL SHELL	FIRST

Ordering Grid



Part Number		Product Description	
USB1070		USB3.0 Rec. Type A, 9 Pin, Top/Mid Mnt SMT, Horizontal, 2.22mm Offset, w/Outer Shell Stakes, SMT Holdowns	
Drawing Date		23rd September 2011	
By	AJO	Tolerances (Except as Noted)	Units:
Detail	PCN	Length	Metric (mm)
Revision	F1	Angle	3rd Angle Projection
Date	9/12/14	X ± 0.20	
		X.X ± 0.15	X.° ± 1°
		X.XXX ± 0.10	
		X.XXX ± 0.05	

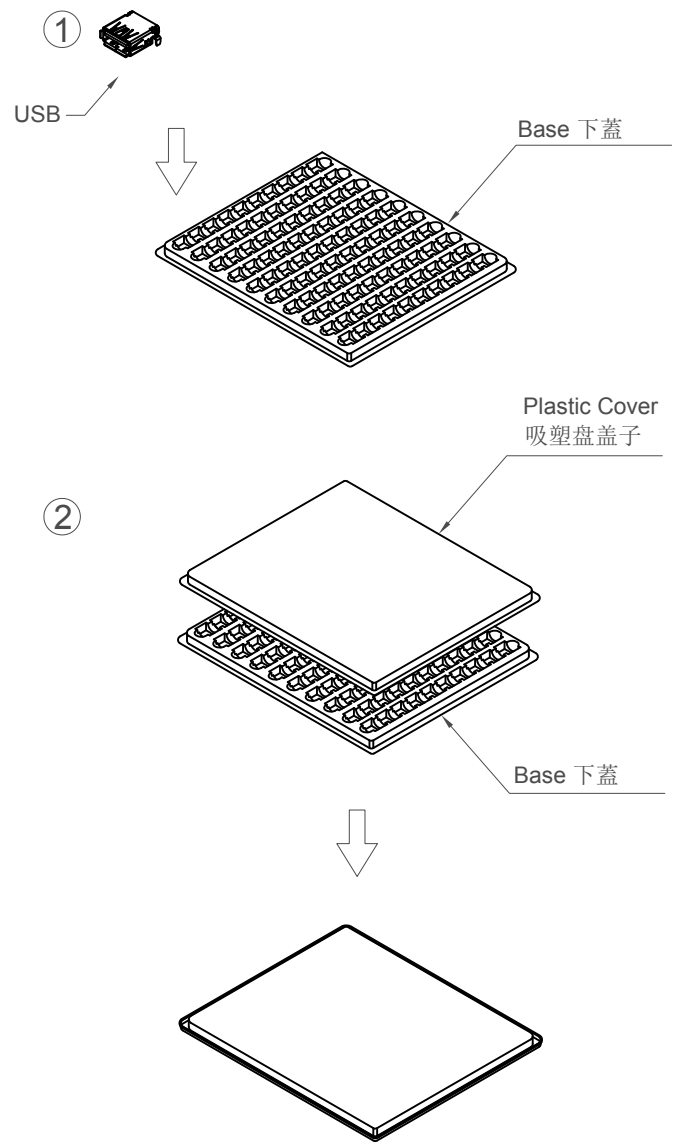


This drawing is confidential and copyright of Global Connector Technology, Ltd (GCT). This drawing must not be copied or disclosed without written consent. E & OE

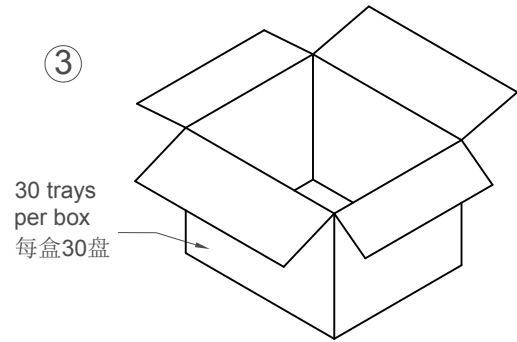
GCT
 Global Connector Technology
 www.gct.co

Not to Scale	Drawn By AJO	Sheet No. 1/2
--------------	--------------	---------------

H
G
F
E
D
C
B
A

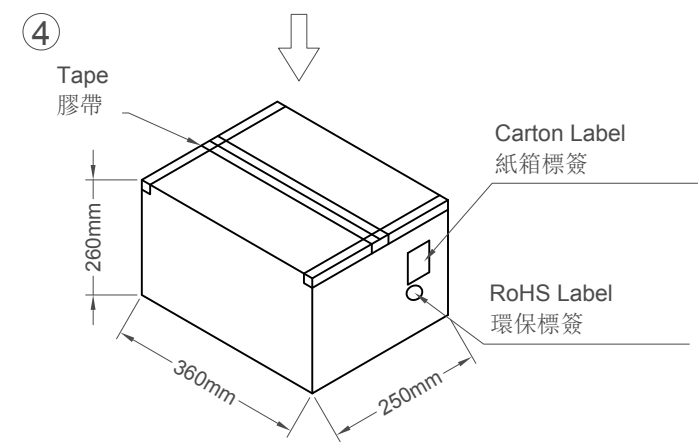


Products P/N	PCS/Tray	Trays/Carton	PCS/Carton
USB1070	100	30	3000



Packing Rules 封裝規則:

1. USB's placed into the tray base. 將USB连接器放入吸塑盘内
2. Tray cover and base taped together to keep USB's in place. USB连接器放好后, 加上吸塑盖, 并用胶带缠绕好
3. 30 trays put into each carton. 30吸塑盘一叠, 放入纸箱
4. Boxed taped and label stuck on the outer carton. 用胶带封住纸箱; 并贴上标签。



Part Number		Product Description			This drawing is confidential and copyright of Global Connector Technology, Ltd (GCT). This drawing must not be copied or disclosed without written consent. E & OE																
USB1070		USB3.0 Rec. Type A, 9 Pin, Top/Mid Mnt SMT, Horizontal, 2.22mm Offset, w/Outer Shell Stakes, SMT Holdowns																			
Drawing Date		23rd September 2011																			
By	AJO	Tolerances (Except as Noted)			<table border="1"> <tr> <td>Detail</td> <td>PCN</td> <td>Length</td> <td>Angle</td> </tr> <tr> <td>Revision</td> <td>F1</td> <td>X.X ± 0.3</td> <td>X.X° ± 2°</td> </tr> <tr> <td>Date</td> <td>9/12/14</td> <td>X.XX ± 0.2</td> <td>X.XX° ± 1°</td> </tr> <tr> <td></td> <td></td> <td>X.XXX ± 0.1</td> <td>X.XXX° ± 0.5°</td> </tr> </table>	Detail	PCN	Length	Angle	Revision	F1	X.X ± 0.3	X.X° ± 2°	Date	9/12/14	X.XX ± 0.2	X.XX° ± 1°			X.XXX ± 0.1	X.XXX° ± 0.5°
Detail	PCN	Length	Angle																		
Revision	F1	X.X ± 0.3	X.X° ± 2°																		
Date	9/12/14	X.XX ± 0.2	X.XX° ± 1°																		
		X.XXX ± 0.1	X.XXX° ± 0.5°																		
Units:	Metric (mm)																				
Not to Scale	Drawn By AJO	Sheet No. 2/2																			

GCT
Global Connector Technology
www.gct.co