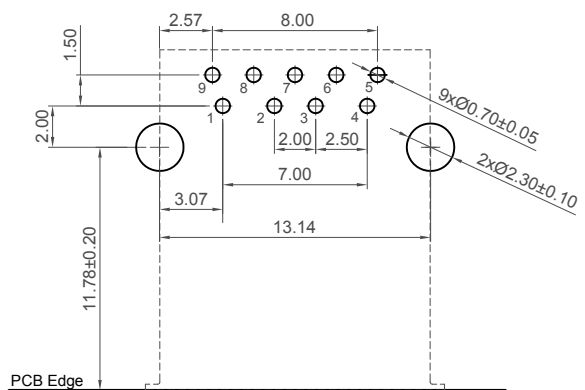
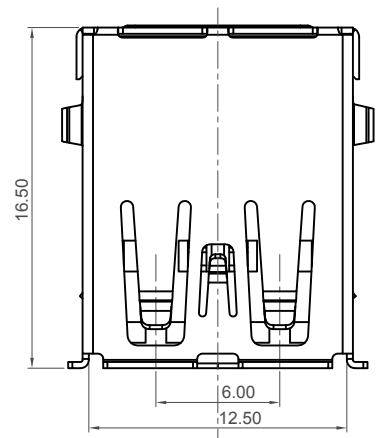
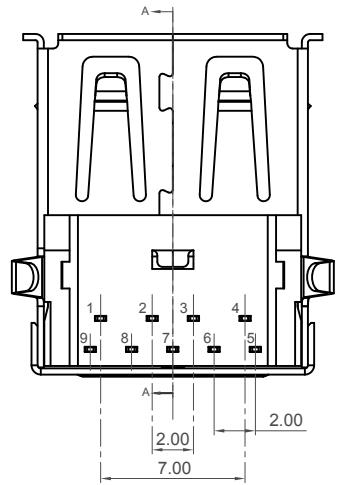
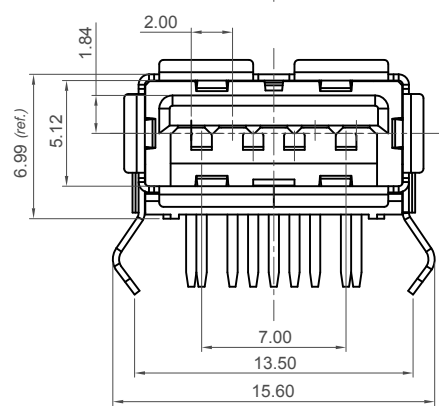
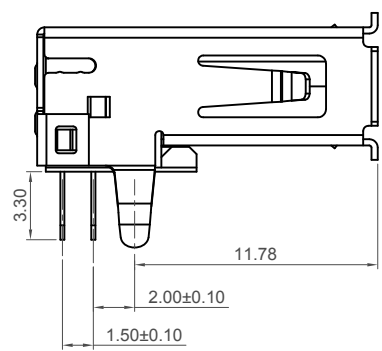
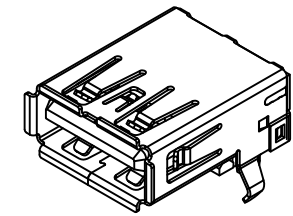
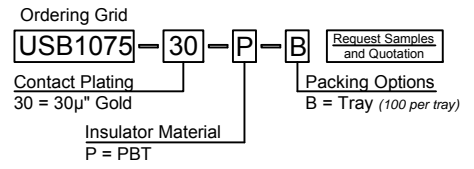
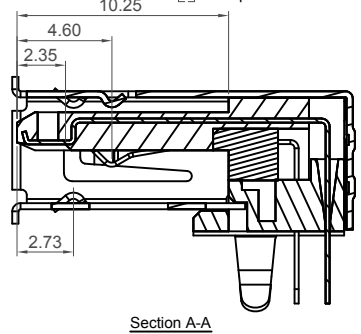


H
G
F
E
D
C
B
A



Recommended P.C.B Layout
as viewed from component side
□ Component Outline



Designed to comply with physical, electrical and environmental requirements of full size USB Standard Compliance (USB3.0).

Specifications 规格

Material 物料

Plastic Housing 塑胶外壳: PBT, UL94V-0, Blue
Contact Terminal 接触端子: Copper Alloy
Metallic Shell 金属外壳: Copper Alloy

Plating 电镀

Underplating 底层电镀: Nickel
Contact Area 接触部分: 30µ" Gold
Solder Tails 焊接末端: 100µ" min. Tin
Metallic Shell 金属外壳: Nickel

Electrical 电气

Voltage Rating 电压额定值: 100V
Current Rating 电流额定值:
0.25 A (Signal Pins 信号引脚 2,3,5,6,7,8,9)
1.8 A (Power Pins 电源接脚 1,4)
Operating Temperature 工作温度: -55°C to +85°C
Contact Resistance 接触电阻值: 30 mΩ max.
Insulating Resistance 绝缘电阻值: 1000 MΩ min.
Dielectric Withstand Voltage 耐电压: 100V AC

Mechanical & Environmental 机械 & 环境

Mating Force 插入力: 35N max.
Unmating Force 拔出力: 10N initial, 8N min. after test
Durability 耐久性: 5,000 Cycles

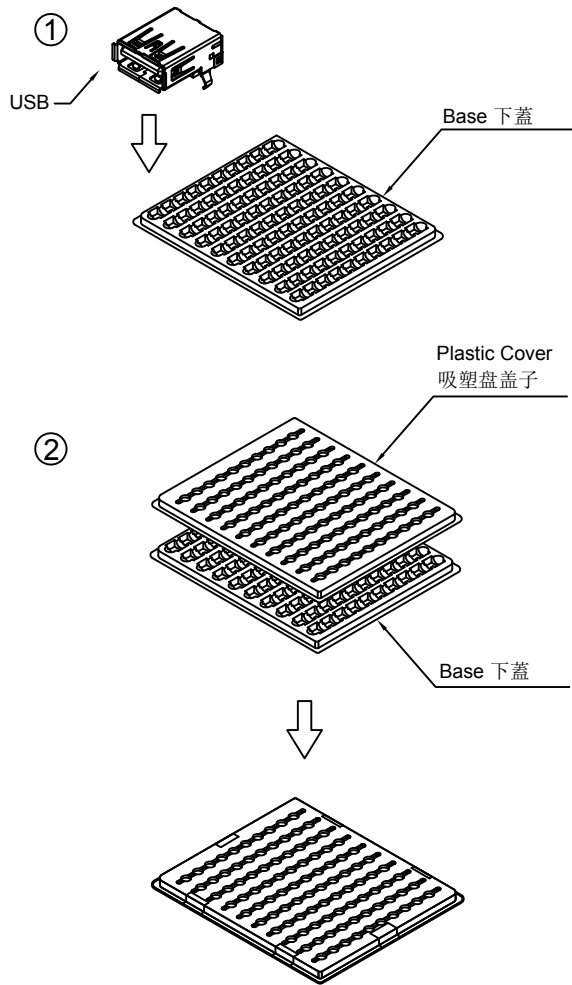
Part Number		Product Description	
USB1075		USB 3.0 Receptacle, Type A, Through Hole,	
Drawing Date		Horizontal, 9 Pin, Top Mount, with Kinked Shell Stakes	
16th May 2011			
By	AJO	Tolerances (Except as Noted)	Units:
Detail	PCN:	Length	Metric (mm)
Revision	USB1075-004	Angle	
Date	E1	X.X ± 0.40	X.X° ± 2°
	26/03/15	X.XX ± 0.25	X.XX° ± 1°
		X.XXX ± 0.05	X.XXX° ± 0.5°
		3rd Angle Projection	



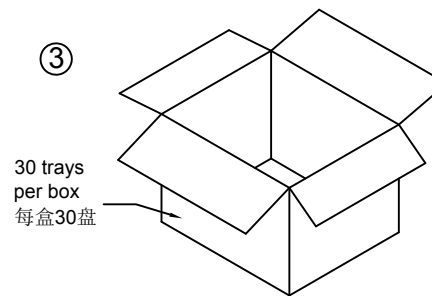
This drawing is confidential and copyright of Global Connector Technology, Ltd (GCT). This drawing must not be copied or disclosed without written consent. E & OE

GCT
Global Connector Technology
www.gct.co

Not to Scale	Drawn By AJO	Sheet No. 1/2
--------------	--------------	---------------

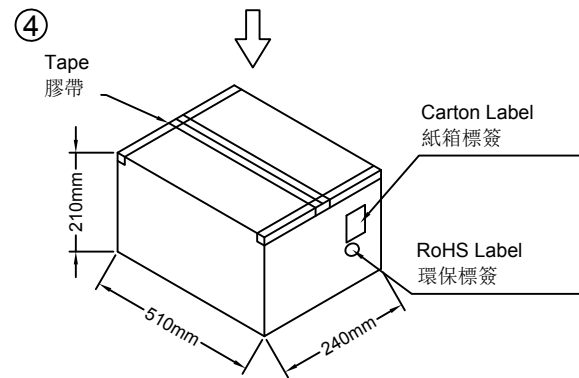


Products P/N	PCS/Tray	Trays/Carton	PCS/Carton
USB1075	100	30	3000



Packing Rules封裝規則:

- 1.USB's placed into the tray base. 将USB连接器放入吸塑盘内
- 2.Tray cover and base taped together to keep USB's in place. USB连接器放好后, 加上吸塑盖, 并用胶带缠绕好
- 3.30 trays put into carton. 30吸塑盘一叠, 放入纸箱
- 4.Boxed taped and label stuck on the outer carton. 用胶带封住纸箱; 并贴上标签。



Part Number		Product Description	
USB1075		USB 3.0 Receptacle, Type A, Through Hole,	
Drawing Date		Horizontal, 9 Pin, Top Mount, with Kinked Shell Stakes	
16th May 2011			
By	AJO	Tolerances (Except as Noted)	
Detail	PCN:	Length	Angle
Revision	USB1075-004	X.X ± 0.40	X.X° ± 2°
Date	E1	X.XX ± 0.25	X.XX° ± 1°
	26/03/15	X.XXX ± 0.05	X.XXX° ± 0.5°
		Units:	Metric (mm)
		3rd Angle Projection	



This drawing is confidential and copyright of Global Connector Technology, Ltd (GCT). This drawing must not be copied or disclosed without written consent. E & OE

GCT
Global Connector Technology
www.gct.co

Not to Scale	Drawn By AJO	Sheet No. 2/2
--------------	-----------------	------------------