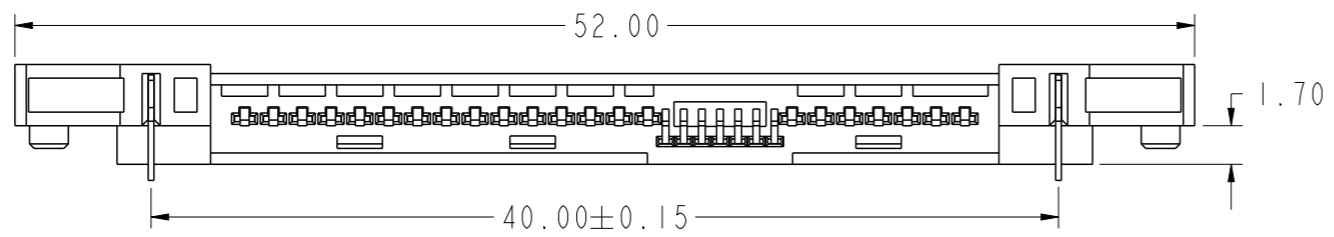
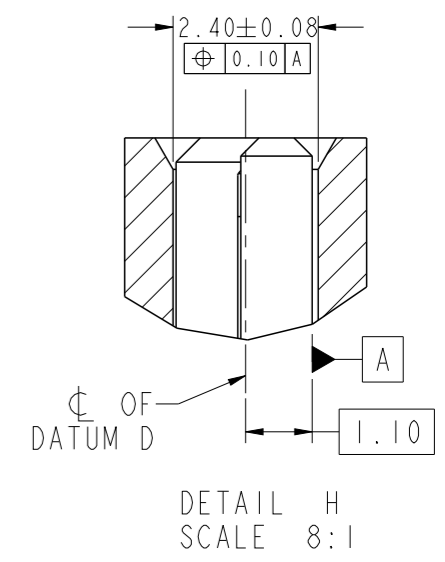
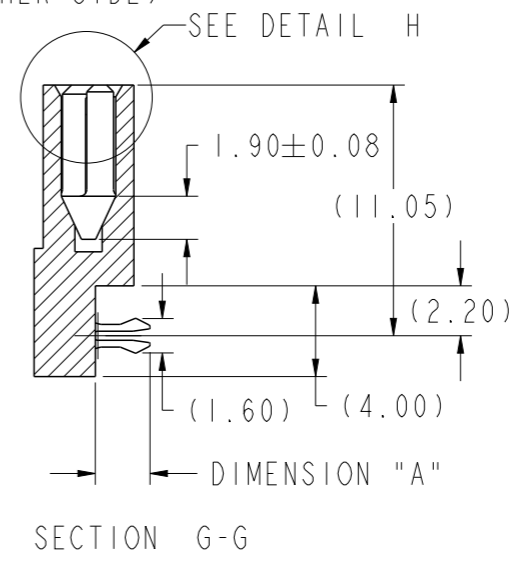
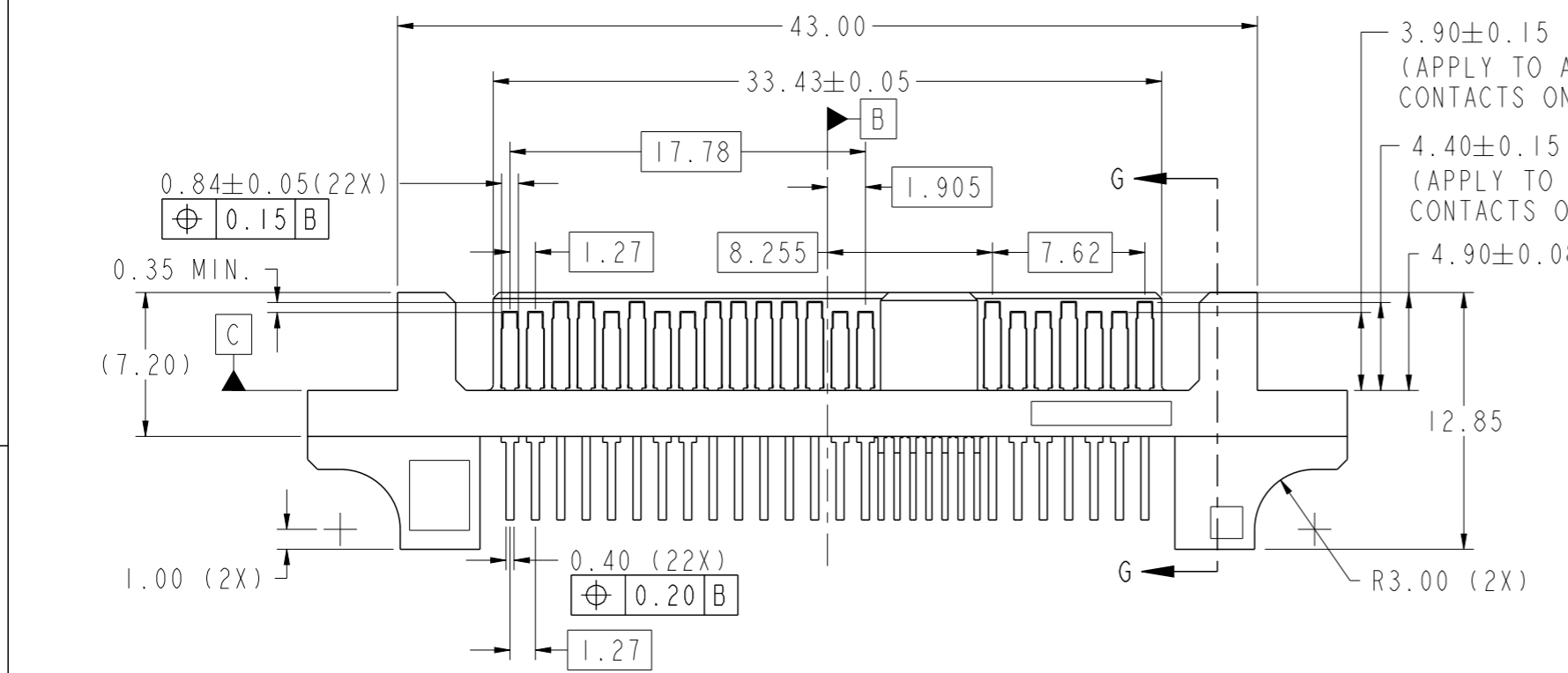
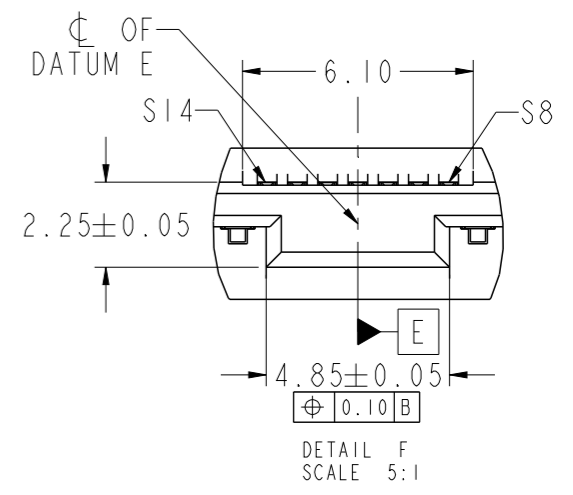
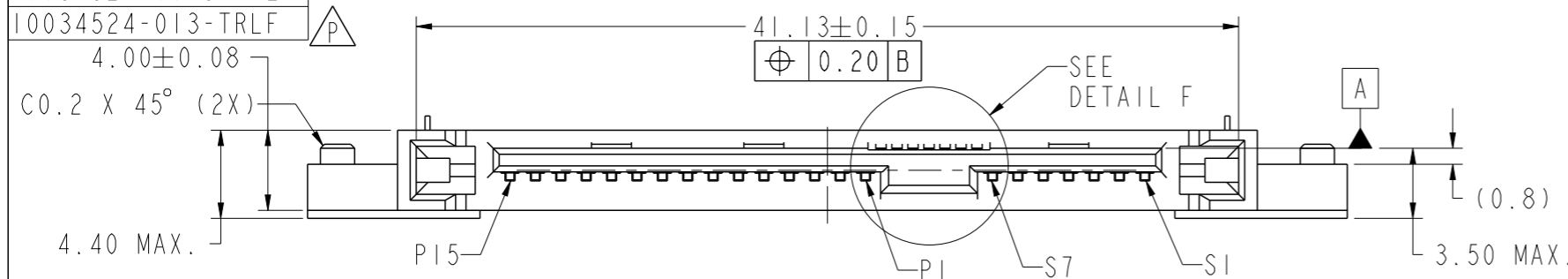


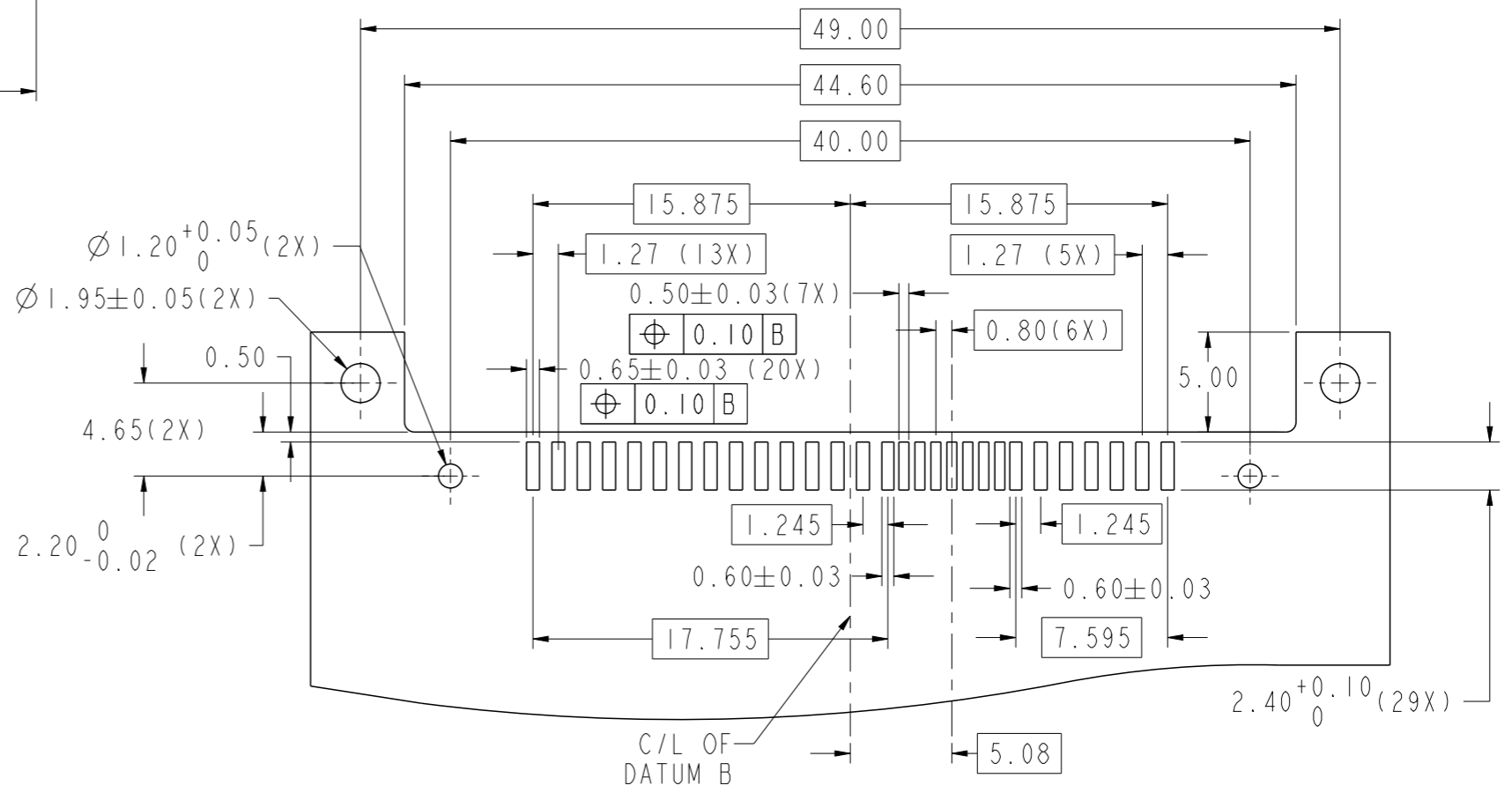
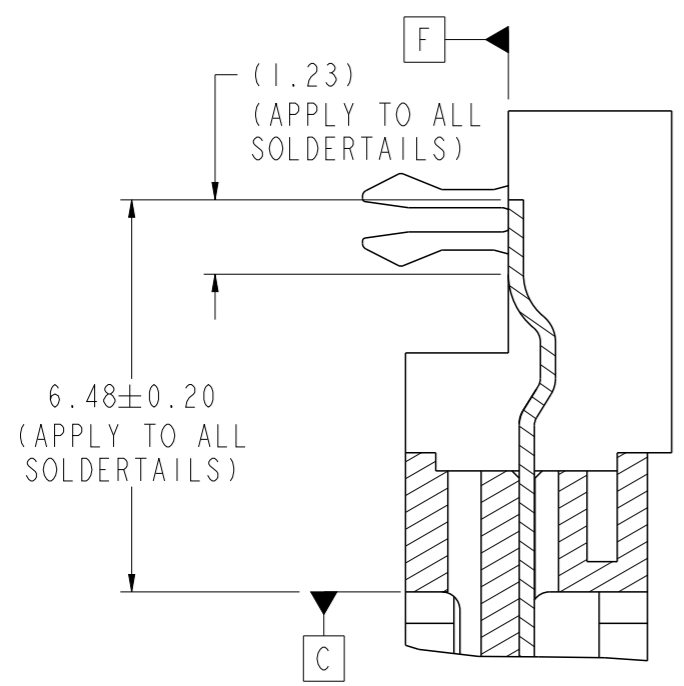
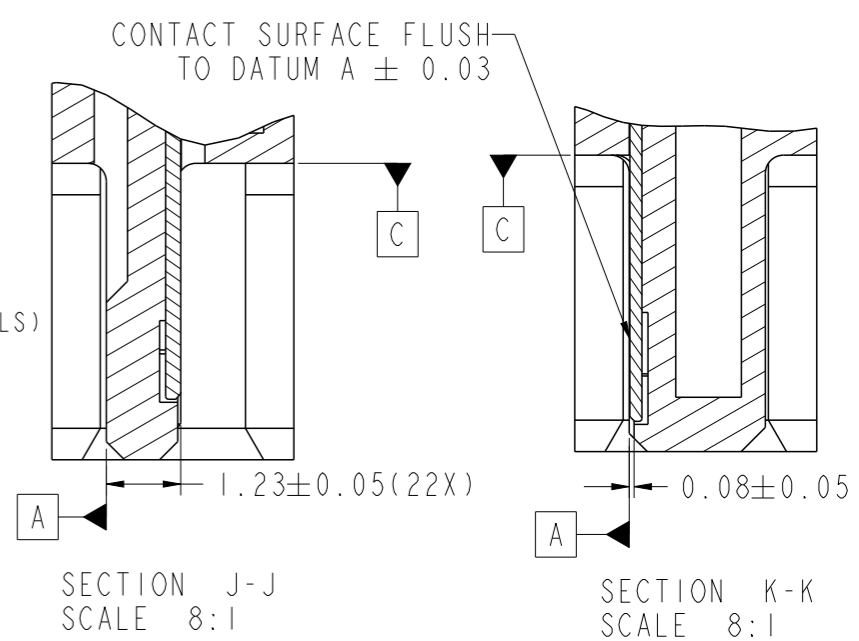
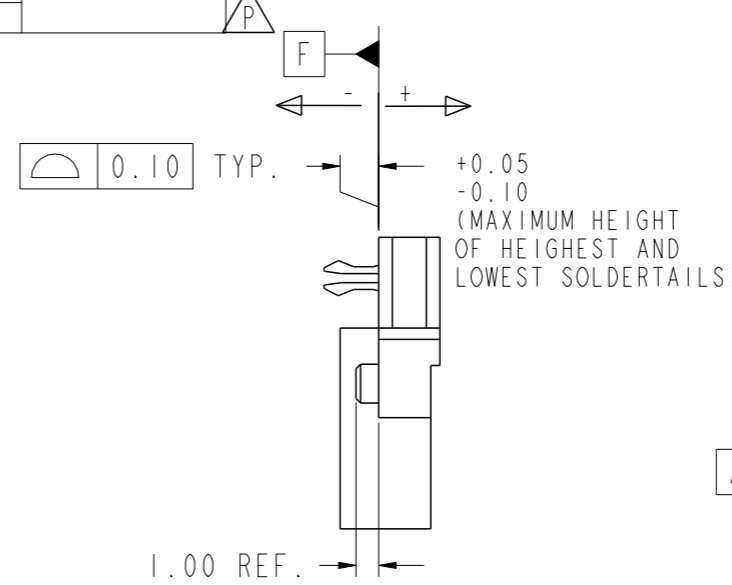
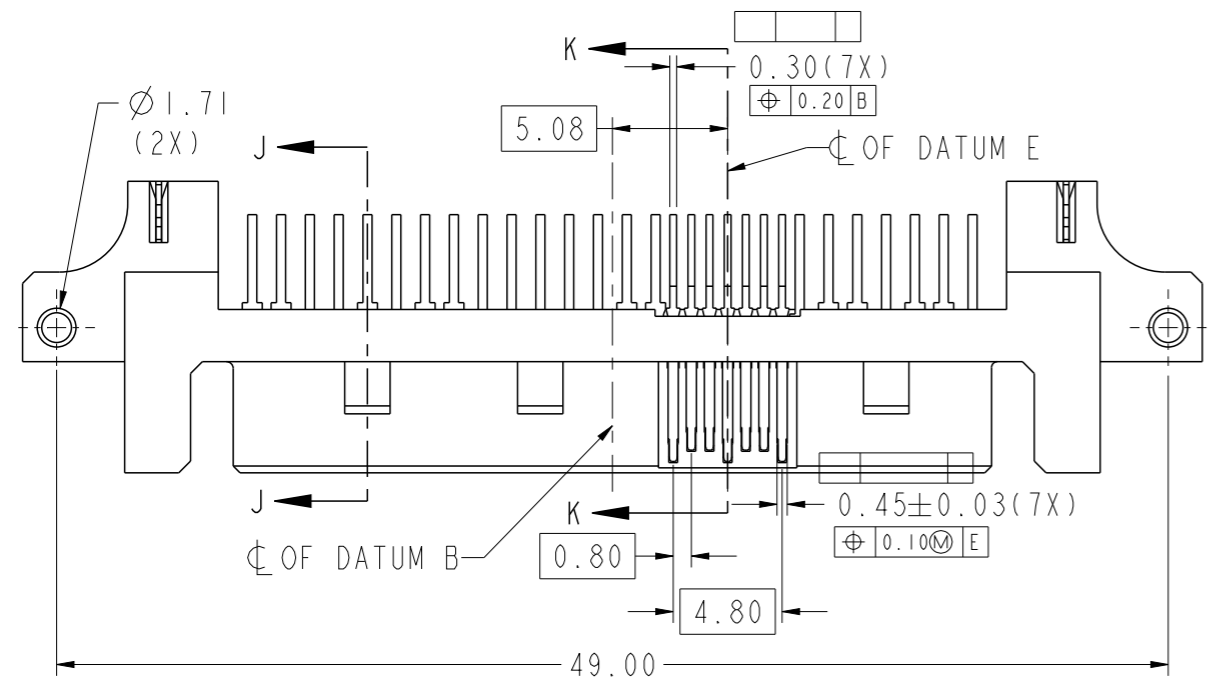
PRODUCT NO.
 10034524-001LF
 10034524-002LF
 10034524-003C-TRLF
 10034524-004C-TRLF
 10034524-013-TRLF



Copyright FCI.

spec ref	dr	w cadmin	2010/07/15	projection	MM	size	A3	scale	3:1	
tolerance std	eng	Suzie Nah	2015/01/23			ecn no	ELX-S-20072-1	rel level	Released	
ASME Y14.5	chr	-	-							
TOLERANCES UNLESS OTHERWISE SPECIFIED	appr	Koon-Poh Tay	2015/01/25	product family		rel level				
surface	linear	0.X	±-		SAS PLUG R/A TYPE ASSY	dwg no 10034524	rev N	Product - Customer Drw		
ASME Y14.5	linear	0.XX	±0.20					www.fci.com	cat. no.	sheet 1 of 3
ASME Y14.5	angular	0°	±2°							

PRODUCT NO.	PCB THICKNESS	DIMENSION "A" WITH ADHESIVE TAPE	WITH COVER	PACKAGING
10034524-001LF	1.60	2.40±0.15	NO	TRAY
10034524-002LF	1.20	2.00±0.15	NO	TRAY
10034524-003C-TRLF	1.60	2.40±0.15	YES	YES
10034524-004C-TRLF	1.20	2.00±0.15	YES	YES
10034524-013-TRLF	1.60	2.40±0.15	YES	NO

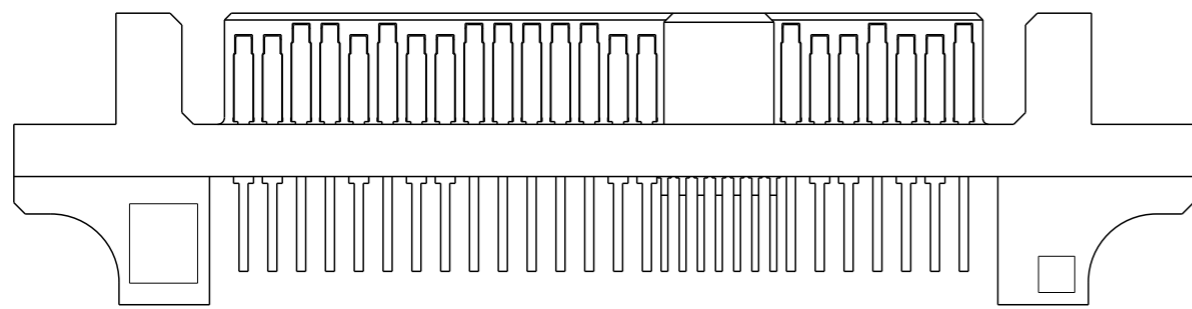


SCALE 3:1
RECOMMENDED PAD LAYOUT

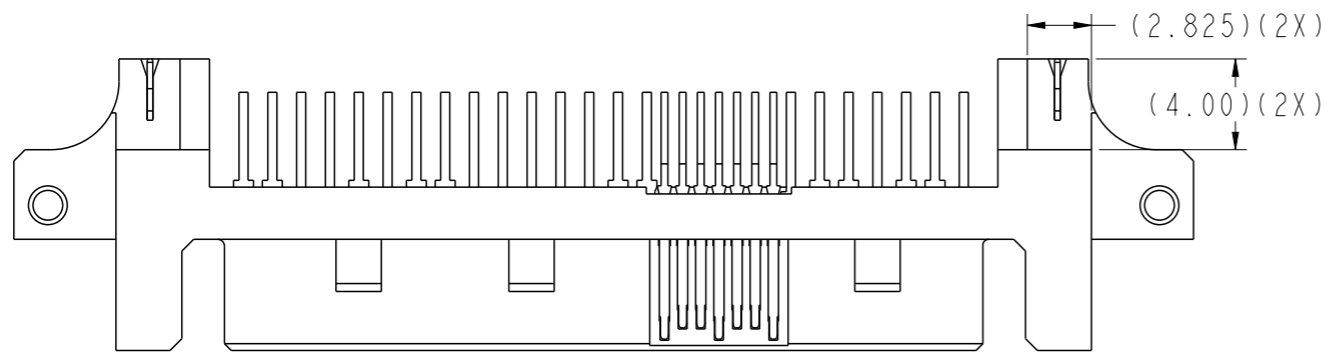
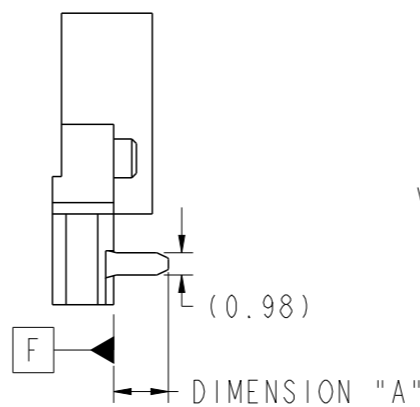
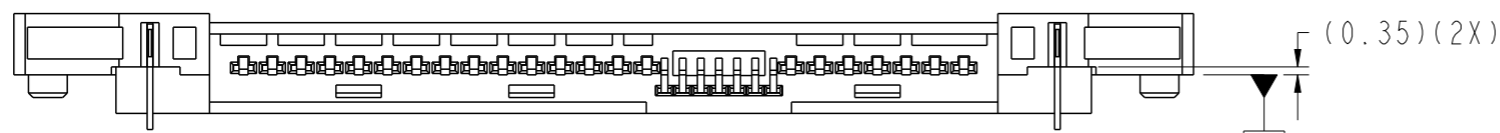
SECTION J-J
SCALE 8:1

spec ref	dr	wcadmin	2010/07/15	projection	MM	size	A3	scale	3:1		
tolerance std	eng	Suzie Nah	2015/01/23			ecn no	ELX-S-20072-1	rel level	Released		
ASME Y14.5	chr	-	2015/01/25								
TOLERANCES UNLESS OTHERWISE SPECIFIED	appr	Koon-Poh Tay	2015/01/25	product family		rel level	Released				
surface	linear	0.X	±-			SAS PLUG R/A TYPE ASSY		dwg no 10034524		rev N	
ASME Y14.5	angular	0.XX	±0.20								
		0°	±2°	www.fci.com	cat. no.	Product - Customer Drw	sheet 2 of 3				

PRODUCT NO.
 10034524-003C-TRLF
 10034524-004C-TRLF
 10034524-013-TRLF



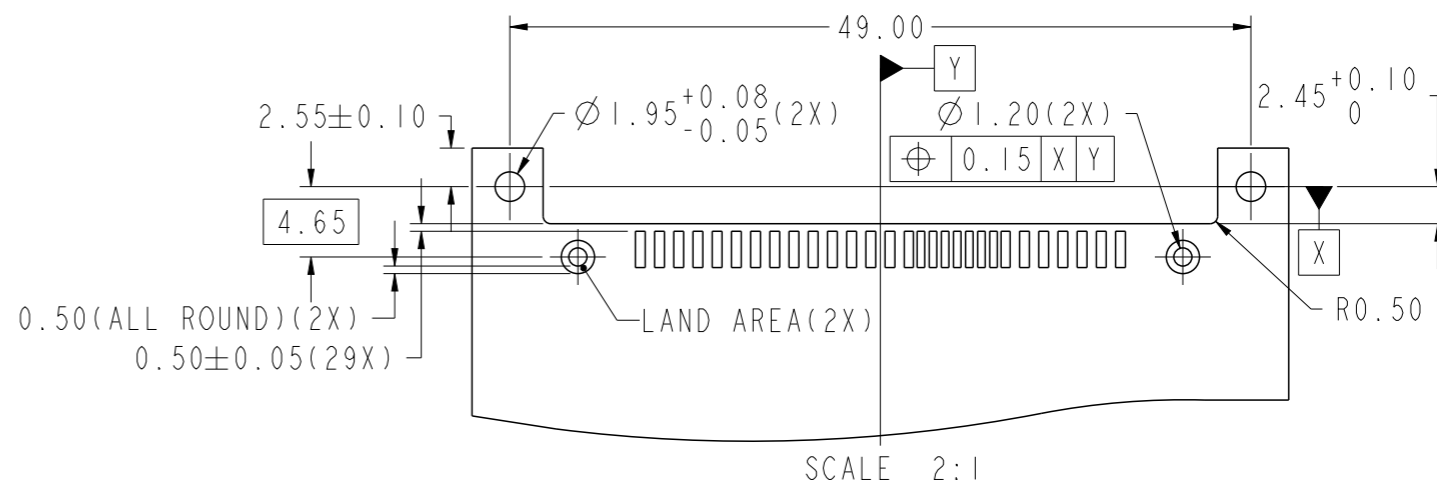
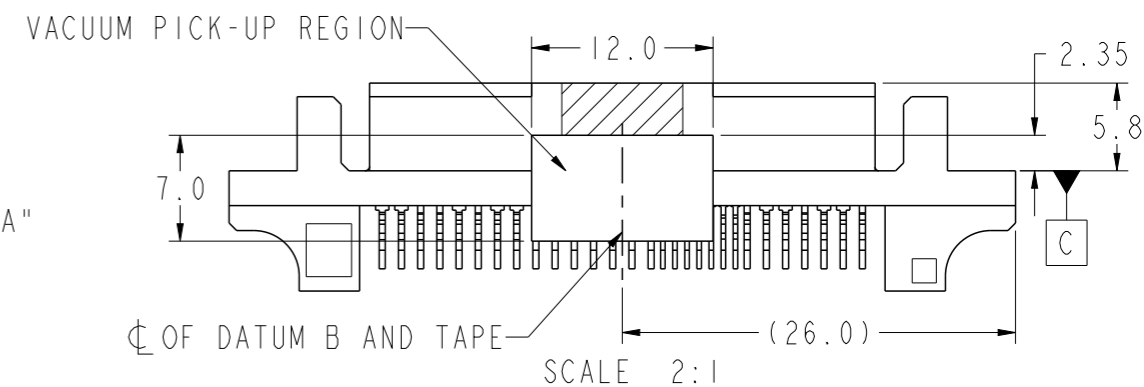
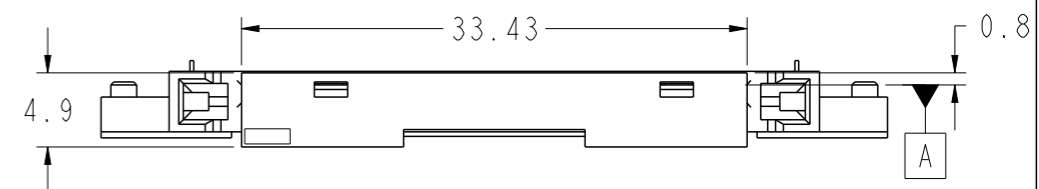
SCALE 3:1



WITH ADHESIVE TAPE AND COVER ATTACHED
 (FOR 10034524-003C/-004C-TRLF)

NOTES:

- MATERIAL:
 HOUSING & COVER: HIGH TEMPERATURE PLASTIC, BLACK, UL94V-0
 CONTACT & HOLD DOWN: COPPER ALLOY
- FINISH:
 CONTACT: 1.27um Min. NICKEL UNDERPLATE OVERALL,
 1.91um Min. 100% MATTE TIN(LEAD-FREE) ON SOLDER TAIL,
 0.76um Min. GOLD ON CONTACT AREA
 HOLD DOWN: 1.91um Min. 100% MATTE TIN(LEAD-FREE) OVER
 1.27um Min. NICKEL UNDERPLATE OVERALL
- RECOMMENDED PCB THICKNESS: 1.20 & 1.60mm
- PRODUCT SPECIFICATION: GS-12-282
- PACKAGING SPECIFICATION: GS-14-952(TRAY); GS-14-1038(TAPE & REEL)
- THIS PRODUCT MEETS EUROPEAN UNION DIRECTIVES AND OTHER COUNTRY REGULATIONS AS DESCRIBED IN GS-22-008
- THE HOUSING WILL WITHSTAND EXPOSURE TO 260°C PEAK TEMPERATURE FOR 10 SECONDS IN A CONVECTION, INFRA-RED OR VAPOR PHASE REFLOW OVEN
- A SYMBOL WILL BE NEXT TO ANY DIMENSION, VIEW OR NOTE WHICH HAS BEEN MODIFIED WITH THE CURRENT DRAWING REVISION



RECOMMENDED PAD LAYOUT FOR 10034524-003/-004/-013(GENERAL TOLERANCE: ±0.08)
 (FOR MORE DIMENSIONS, REFER TO PAD LAYOUT FOR 10034524-001/-002)



Copyright FCI.

spec ref	dr	wcadmin	2010/07/15	projection	MM	size	A3	scale	3:1
tolerance std	eng	Suzie Nah	2015/01/23		← →	ecn no	ELX-S-20072-1	rel level	Released
ASME Y14.5	chr	-	-						
	appr	Koon-Poh Tay	2015/01/25	product family					
surface	linear	0.X	±-		SAS PLUG R/A	dwg no	10034524	rev	N
		0.XX	±0.20						
		0.XXX	±-						
ASME Y14.5	angular	0°	±2°	www.fci.com	cat. no.	Product - Customer Drw	sheet 3 of 3		