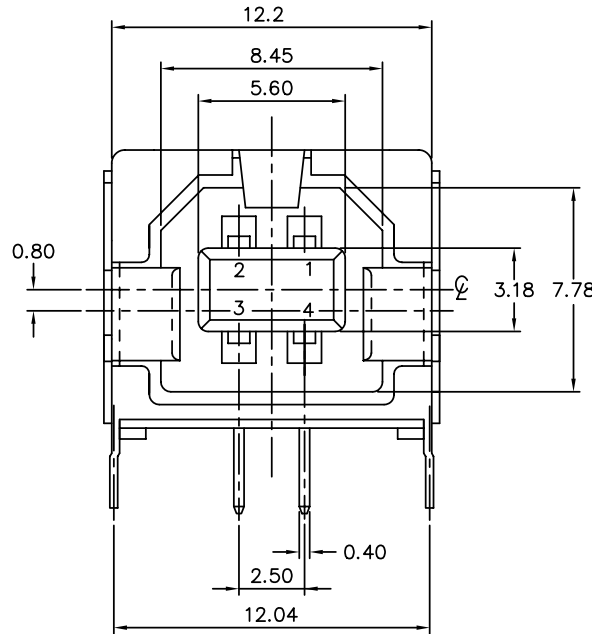
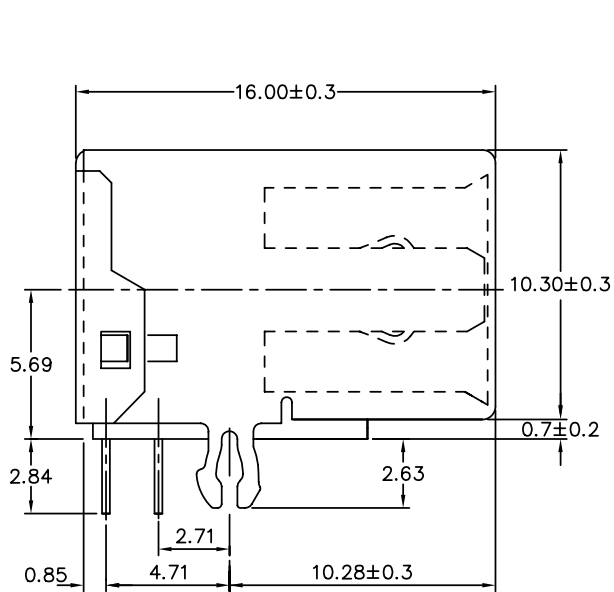


PRODUCT NO.  
61729-\*



PRODUCT NUMBER CODE:

61729 - X X X X X P S LF

BASE PRODUCT NUMBER

HOUSING COLOR OPTION

- 0 - WHITE
- 1 - BLACK

HALOGEN OPTION

- 0 - WITH HALOGEN
- 1 - HF (HALOGEN FREE)

SHIELD OPTION

- 1 - FULL BACK
- 2 - PARTIAL BACK
- S- FULL BACK (SPECIAL MATERIAL FOR 12,000 DURABILITY CYCLES)
- P- PARTIAL BACK (SPECIAL MATERIAL FOR 12,000 DURABILITY CYCLES)

TERMINAL PLATING OPTION

- 0 - 50u" NI UNDERPLATED  
30u" GXT CONTACT AREA  
100u" PURE TIN TAIL AREA
- 1 - 50u" NI UNDERPLATED  
30u" GOLD CONTACT AREA  
100u" PURE TIN TAIL AREA

PACKAGING OPTION

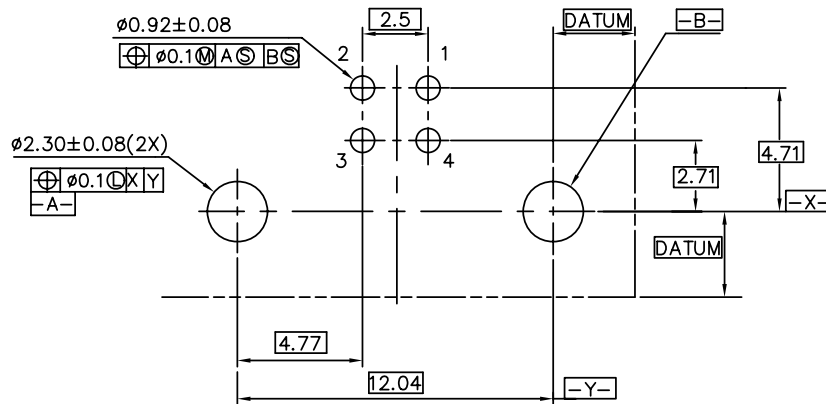
- B - TUBES
- R - TAPE & REEL

DATE CODE OPTION

- P - WITH DATE CODE
- DEFAULT: WITHOUT DATE CODE

ONLY FOR PANSONIC

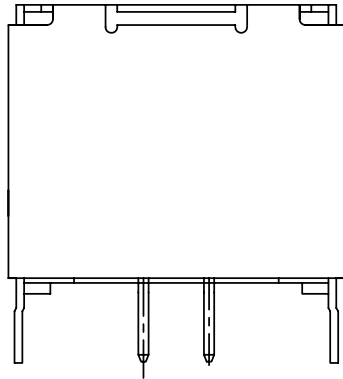
LEAD FREE OPTION



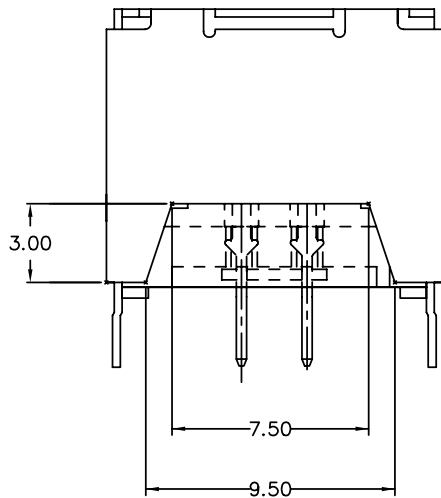
P.C. BOARD LAYOUT

mat'l. code		surface ISD 1301 ✓		tolerance ISD 406 ISD 1101		projection mm		product family USB2.0	
ltr ecn nldr date		tolerances unless otherwise specified		angle		mm		title	
S	N05-0242	PH	08/22/05		0.0±0.3			USB RECEPTACLE B TYPE	
T	N06-0103	HB	04/15/06		0.00±0.20				
U	N08-0238	R,B	11/3/08	0°±2'	0.000±0.10		scale 4:1		
V	N08-0264	R,B	12/08/08	dr	LQ,LEI	2013-12-17		sheet 1 of 2	
W	EN-BX-1-1633	LQ	12/17/13	engr	LQ,LEI	2013-12-17		size	
				chr	RICK BIAN	2013-12-17		A4	
				appd	RICK BIAN	2013-12-17		type Product Customer Drawing	
sheet	revision	index		sheet		sheet		sheet	
		1-2							





TYPE "1" FULL BACK



TYPE "2" PARTIAL BACK

NOTES:

1. MATERIAL:  
SHIELD & CONTACTS: COPPER ALLOY  
HOUSING: UL 94V-0 ,HIGH TEMPERATURE THERMOPLASTIC.  
COLOR: SEE PRODUCT NUMBER CODE.
2. PLATING: SEE PRODUCT NUMBER CODE.  
SHIELD: BRIGHT TIN  
NICKEL UNDERPLATE.
3. DATUMS & BASIC DIMENSIONS TO BE DETERMINED BY CUSTOMER
4. RECOMMENDED BOARD THICKNESS IS 1.57 mm (.062)
5. PACKING STANDARD GS-14-920 WILL BE APPLIED FOR LEAD FREE P/N'S
6. FOR LEAD FREE P/N, THE PRODUCT MEET EUROPEAN UNION DIRECTIVES AND OTHER COUNTRY REGULATION AS DESCRIBED IN GS-22-008
7. FOR LEAD FREE P/N'S, THE HOUSING WILL WITHSTAND EXPOSURE TO 260°C PEAK TEMPERATURE FOR 10 SECONDS IN A CONVECTION, INFRO-RED OR VAPOR PHASE REFLOW OVEN.
8. THE PART CAN BE USED FOR PIP PROCESS.

mat'l. code		surface ISD 1301 ✓	tolerance ISD 406 ISD 1101	projection 	product family USB2.0
ltr	ecr	nodr	date	tolerances unless otherwise specified	title
-	-	-	-	0.0±0.3	USB RECEPTACLE B TYPE
				0.00±0.20	
				0°±2'	scale 4:1
				dr LQ.LEI 2013-12-10	dwg no
				enr LQ.LEI 2013-12-10	sheet 2 of 2
				chr RICK BIAN 2013-12-10	61729
				appd RICK BIAN 2013-12-17	A4
sheet	revision-				type Product Customer Drawing
index	sheet -				