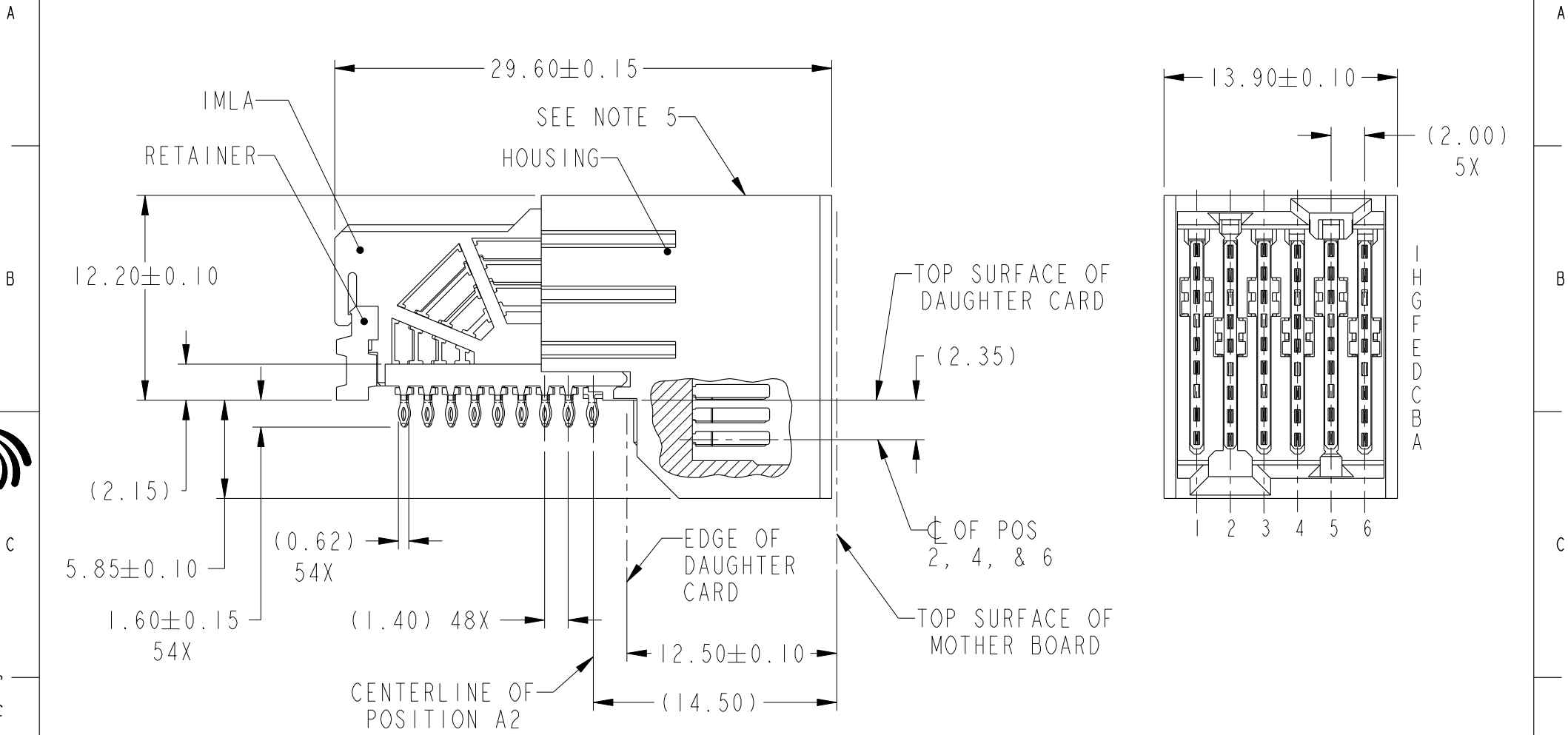


PRODUCT NUMBER
SEE TABLE, SHEET 5



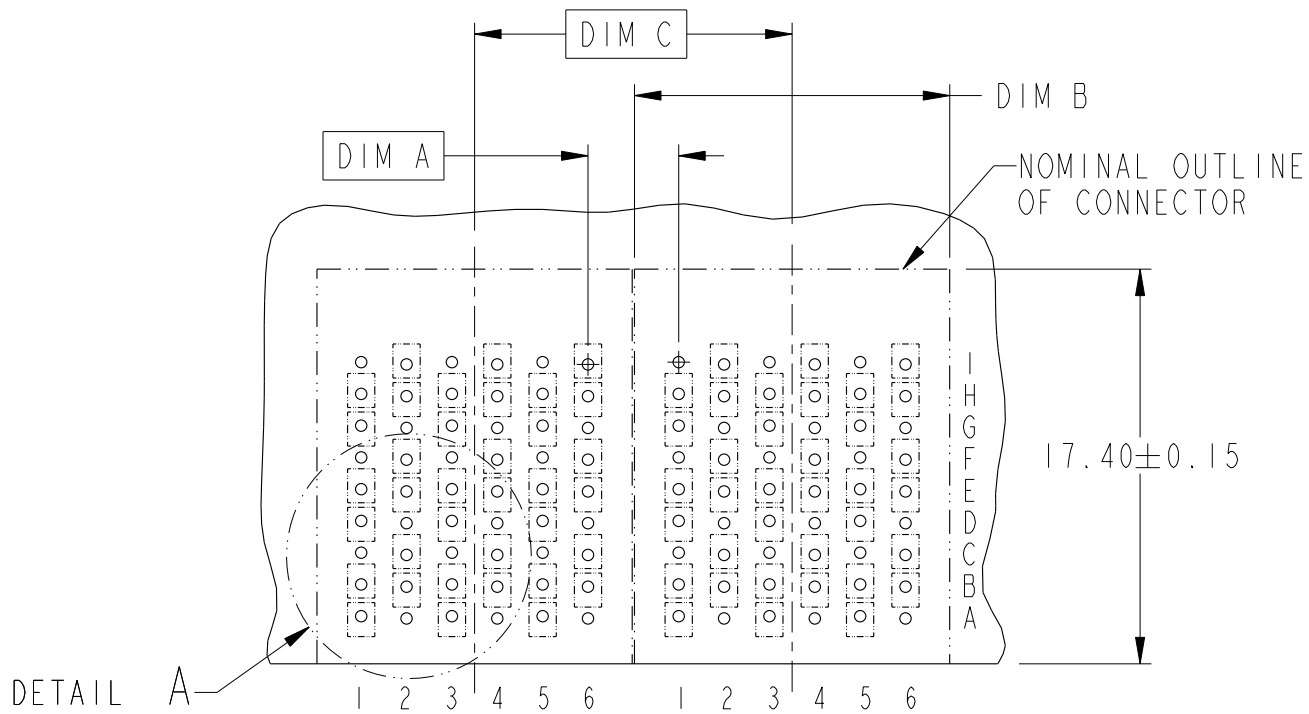
Copyright FCI.

www.fciconnect.com			surface - ASME Y14.5	tolerance std ASME Y14.5	projection MM
			TOLERANCES UNLESS OTHERWISE SPECIFIED		
Dr	G. HULL	2005-07-13	ANGULAR	0.X	±
Eng	Y. K. LIM	2009-12-11	LINEAR	0.XX	±
Chr	Y. K. LIM	2009-12-11	0° ±°	0.XXX	±
Appr	JOEY NG	2009-12-11	Product family AirMax VS		size A4
			Spec ref GS-12-239		Scale 3:1
			ECN S09-0405		Rev. C
			AirMax VS R/A HEADER ASSY		dwg no 10058229
			PF, 54 POS, 14MM, THK WALL		Rev. C
			catalog no	CUSTOMER	sheet 1 of 5

rev	ecn no	dr	date
A	V05-0461	LRJ	2006-02-24
B	V06-0620	WJS	2006-06-26
C	S09-0405	YK	2009-12-11
-	-	-	-
-	-	-	-
-	-	-	-
-	-	-	-

REV F - 2006-04-17

DESCRIPTION	DIM A	DIM B	DIM C
2-14MM MODULES PLACED END-TO-END	4.00	13.90 2X	14.00
1-12MM MODULE & 1-14MM MODULE PLACED END-TO-END	3.00	11.90 1X & 13.90 1X	13.00

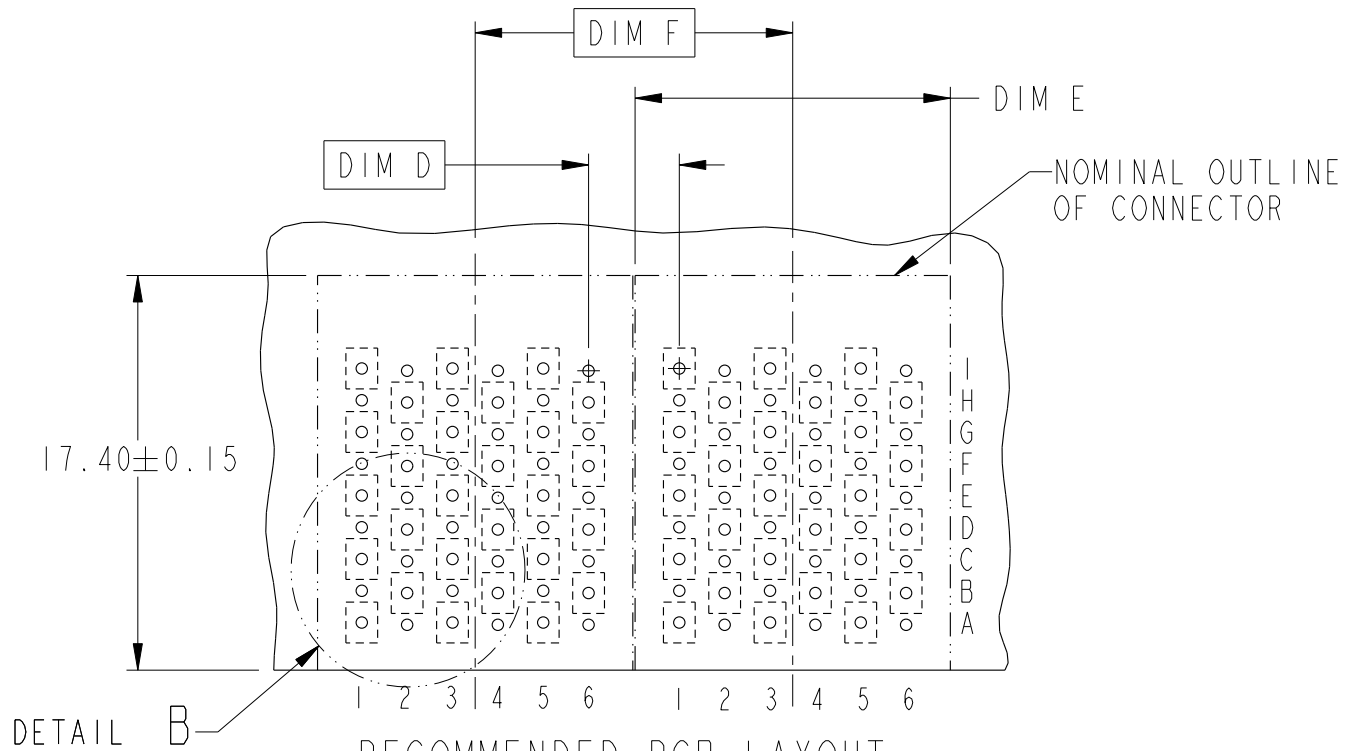


RECOMMENDED PCB LAYOUT
FOR DIFFERENTIAL APPLICATIONS
COMPONENT SIDE
(TWO ADJACENT FOOTPRINTS SHOWN)
NOTES 6 & 7

FCI	part no	AirMax VS R/A HEADER ASSY	dwg no	10058229	Rev.	C
	catalog no	-	CUSTOMER	sheet 2 of 5		



DESCRIPTION	DIM D	DIM E	DIM F
2-14MM MODULES PLACED END-TO-END	4.00	13.90 2X	14.00
1-12MM MODULE & 1-14MM MODULE PLACED END-TO-END	3.00	11.90 1X & 13.90 1X	13.00



RECOMMENDED PCB LAYOUT
FOR SINGLE ENDED APPLICATIONS
COMPONENT SIDE
(TWO ADJACENT FOOTPRINTS SHOWN)
NOTES 6 & 7



AirMax VS R/A HEADER ASSY
PF, 54 POS, 14MM, THK WALL
catalog no -

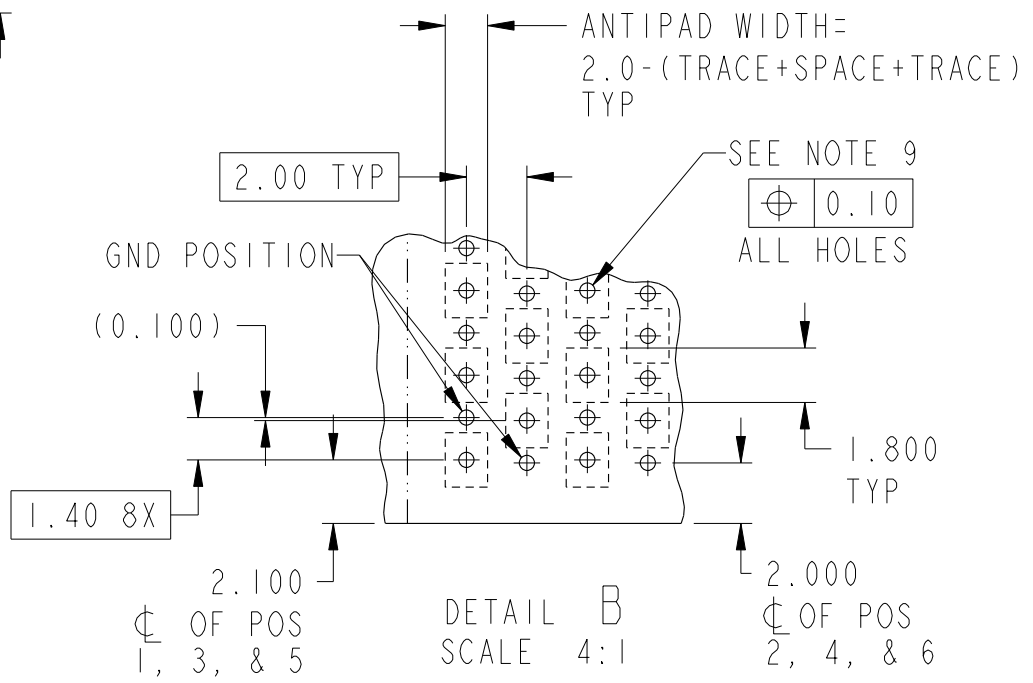
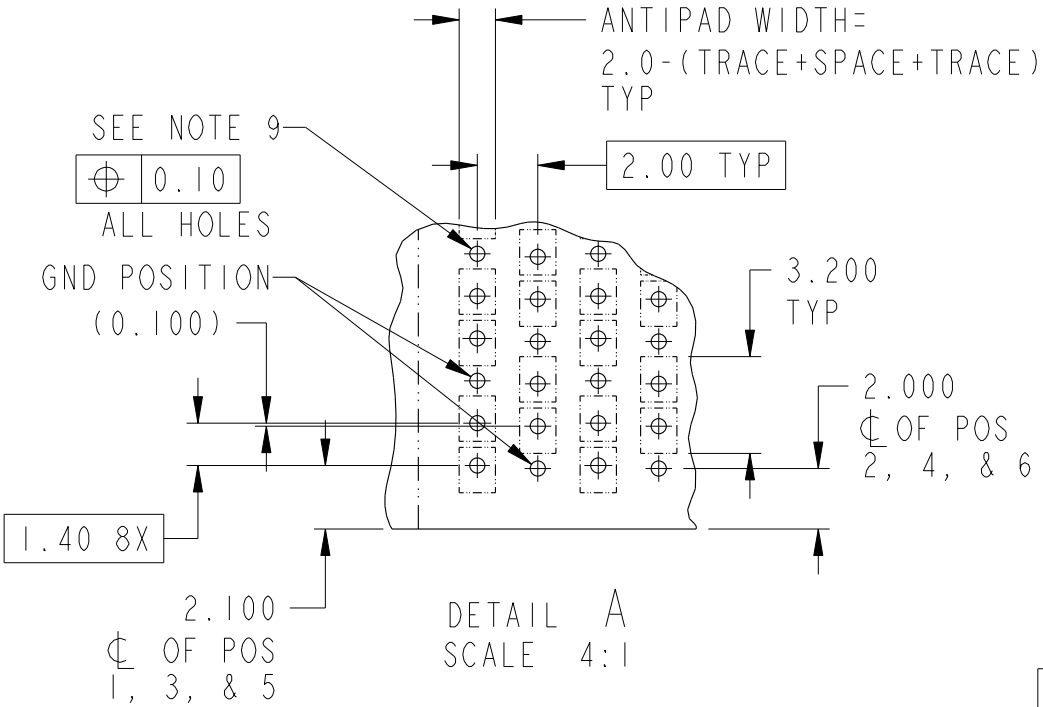
dwg no 10058229
CUSTOMER

Rev. C

sheet 3 of 5



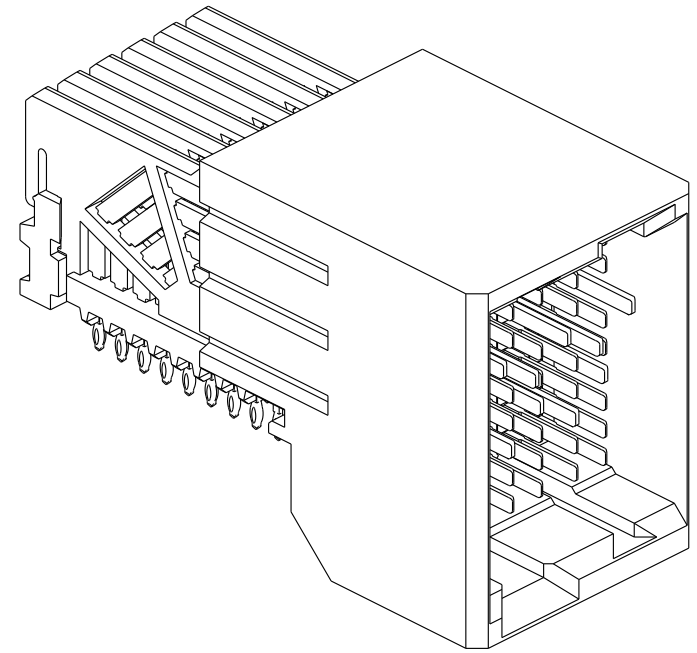
Copyright FCI.



Part no AirMax VS R/A HEADER ASSY
PF, 54 POS, 14MM, THK WALL
catalog no -

dwg no 10058229
CUSTOMER sheet 4 of 5

Rev. C



PART NUMBER	PRESS-FIT TAIL PLATING TYPE
10058229-101	TIN/LEAD ALLOY OVER NICKEL
10058229-101LF	TIN OVER NICKEL (LEAD FREE)

NOTES:

1. CONNECTOR MATERIALS:
 HOUSING & RETAINER: HIGH TEMP THERMOPLASTIC, NATURAL, UL94V-0
 IMLA PLASTIC: HIGH TEMP THERMOPLASTIC, BLACK, UL94V-0
 CONTACT: COPPER ALLOY


2. CONTACT PLATING:
 SEPARABLE INTERFACE:
 PERFORMANCE-BASED PLATING, QUALIFIED TO MEET THE REQUIREMENTS OF FCI PRODUCT SPECIFICATION GS-12-239 INCLUDING TELCORDIA GR-1217-CORE (NOVEMBER 1995) CENTRAL OFFICE TEST SEQUENCE




PRESS-FIT TAILS: SEE TABLE

3. PRODUCT SPECIFICATION: GS-12-239
 4. APPLICATION SPECIFICATION: GS-20-035

- 5. PRODUCT MARKING, (PART NUMBER & LOT CODE), ON THIS SURFACE
- 6. REFER TO CUSTOMER DRAWING 10035911 FOR INFORMATION REGARDING PCB LAYOUT OF POWER AND GUIDE MODULES RELATIVE TO SIGNAL MODULES
- 7. POSITIONS F OF ODD NUMBERED COLUMNS AND POSITIONS G OF EVEN NUMBERED COLUMNS CORRESPOND TO EARLY MATE HEADER PINS
- 8. THERE IS NO GROUND BUSSING WITHIN THE CONNECTOR SYSTEM
- 9. REFER TO CUSTOMER DRAWING 10045979 FOR INFORMATION ON PCB HOLE DIAMETERS AND PLATING OPTIONS.

- 11. THE HOUSING WILL WITHSTAND EXPOSURE TO 260°C PEAK TEMPERATURE FOR 40 SECONDS IN A CONVECTION, INFRA-RED OR VAPOR PHASE REFLOW OVEN.
- 12. PACKAGING MEETS GS-14-920 LEAD FREE LABELING SPECIFICATION.
- 13. A  SYMBOL WILL BE NEXT TO ANY DIMENSION, VIEW, OR NOTE WHICH HAS BEEN MODIFIED WITH THE CURRENT DRAWING REVISION.

10. THIS PRODUCT MEETS EUROPEAN UNION DIRECTIVES AND OTHER COUNTRY REGULATIONS AS DESCRIBED IN GS-22-008.

	title AirMax VS R/A HEADER ASSY PF, 54 POS, 14MM, THK WALL	dwg no 10058229	Rev. C
	catalog no -	CUSTOMER	sheet 5 of 5



Copyright FCI.