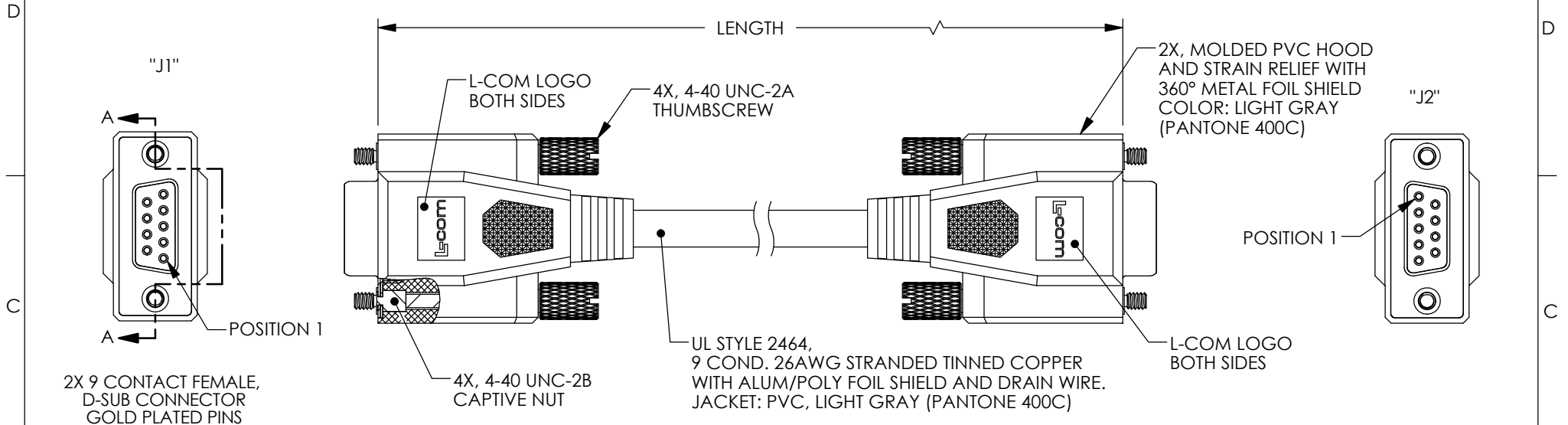


THE INFORMATION CONTAINED IN THIS DRAWING IS THE SOLE PROPERTY OF L-COM, INC. ANY REPRODUCTION IN PART OR WHOLE WITHOUT THE WRITTEN PERMISSION OF L-COM, INC. IS PROHIBITED.

REVISIONS			
REV	DESCRIPTION	DATE	APPROVED
E	ECN 6602: ADDED NOTES, REVISED FORMAT, LOGOS, COLOR	1/14/13	D.FRISIELLO
F	ECN 7241: ADDED 1.0 FT LENGTH, REVISED ROHS AND FORMAT	1/20/14	D.FRISIELLO

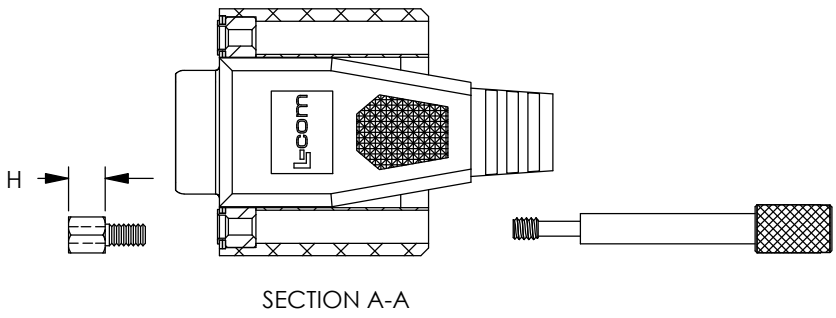


2X 9 CONTACT FEMALE, D-SUB CONNECTOR GOLD PLATED PINS

4X, 4-40 UNC-2B CAPTIVE NUT

UL STYLE 2464, 9 COND. 26AWG STRANDED TINNED COPPER WITH ALUM/POLY FOIL SHIELD AND DRAIN WIRE. JACKET: PVC, LIGHT GRAY (PANTONE 400C)

2X, MOLDED PVC HOOD AND STRAIN RELIEF WITH 360° METAL FOIL SHIELD COLOR: LIGHT GRAY (PANTONE 400C)



SECTION A-A

WIRING MAP		
J1	WIRE COLOR	J2
1	BLACK	1
2	GRAY	2
3	RED	3
4	GREEN	4
5	BROWN	5
6	BLUE	6
7	ORANGE	7
8	YELLOW	8
9	PURPLE	9
SHELL	DRAIN WIRE	SHELL

PART NUMBER	LENGTH	
	FEET	METERS
CRMN9FF-1	1.0	0.31
CRMN9FF-2.5	2.5	0.76
CRMN9FF-5	5.0	1.52
CRMN9FF-10	10.0	3.05
CRMN9FF-15	15.0	4.57
CRMN9FF-25	25.0	7.62

SUPPLIED WITH THUMBSCREWS IN PLACE.  
 NOTE: SUPPLIED WITH OPTIONAL USE HARDWARE AND INSTRUCTIONS.  
 CABLE INTERCONNECTION HARDWARE: (4) SCREWLOCKS, H= .191"  
 PANEL MOUNT HARDWARE: (4) SCREWLOCKS, H= .160"

**NOTES:**

1. CABLE ASSEMBLY SHALL BE TESTED FOR CONTINUITY.
2. CABLE ASSEMBLY SHALL BE INDIVIDUALLY PACKAGED IN ACCORDANCE WITH L-COM SPECIFICATION PS-0031.

**REGULATORY COMPLIANCE:**  
 CE2011/65/EU (RoHS DIRECTIVE)

UNLESS OTHERWISE SPECIFIED, DIMENSIONS ARE IN INCHES [mm] OVERALL CABLE LENGTH TOLERANCE: $\leq 12$ [305] = +1 [25] / -0 $>12$ [305] $\leq 60$ [1524] = +2 [51] / -0 $>60$ [1524] $\leq 120$ [3048] = +4 [102] / -0 $>120$ [3048] $\leq 300$ [7620] = +6 [152] / -0 $>300$ [7620] = +5% / -0% ALL OTHER DIMENSIONAL TOLERANCES: .X = ± .2 [5.08] .XX = ± .02 [1.51] .XXX = ± .005 [1.13]	APPROVALS DRAWN BY T CLARK CHECKED BY D PARHAM APPROVED BY C. MCCORMICK	DATE 3/10/2004 3/30/2004 3/31/2004
	CONFIGURATION DETAILS OF UNDIMENSIONED FEATURES MAY VARY	
	COLOR VARIATIONS MAY OCCUR	
	CRMN-FS01	

		45 BEECHWOOD DRIVE NORTH ANDOVER, MA 01845	
CATEGORY <b>D-SUBMINIATURE</b>			
PRODUCT DESCRIPTION <b>CA, DB9F/F REVERSIBLE HDWR</b>			
SIZE <b>A</b>	FSCM NO. <b>43321</b>	DWG. NO. <b>CRMN9FF</b>	REV. <b>F</b>
SCALE: NONE		CAD FILE: CRMN9FF.SLDDRW	
			SHEET 1 OF 1