

10113947 - X0C - X0XLF

6-COLUMN DIFFERENTIAL SIGNAL

LEAD-FREE DESIGNATION ONLY WITH APPLICABLE PLATING CODES

LETTER	PERFORMANCE-BASED PLATING (SEE NOTE 2)	
	TARGET APPLICATION	LEAD FREE (LF)
B	TELCORDIA CO	NO
C	TELCORDIA UE	NO
D	TELCORDIA CO	YES
E	TELCORDIA UE	YES

NUMBER	PIN STYLE, HEIGHT
0	STANDARD GUIDE PIN MACHINED, 25.7mm

MODULE DESCRIPTION	LETTER DESIGNATION REPRESENTED IN DASH NUMBER										BASE MODULE
LEFT POLARIZING GUIDANCE MODULE (SEE SHEET 3)	<b>J</b>	<b>A</b>	<b>B</b>	<b>C</b>	<b>D</b>	<b>E</b>	<b>F</b>	<b>G</b>	<b>H</b>		
RIGHT POLARIZING GUIDANCE MODULE (SEE SHEET 4)	<b>Y</b>	<b>P</b>	<b>Q</b>	<b>R</b>	<b>S</b>	<b>T</b>	<b>U</b>	<b>V</b>	<b>W</b>		
OPEN MODULE (TWO WALL) (SEE SHEET 2)	<b>0 (ZERO)</b>										
LEFT WALL MODULE (SEE SHEET 5)	<b>L</b>										
RIGHT WALL MODULE (SEE SHEET 6)	<b>M</b>										
FOUR WALL MODULE (SEE SHEET 7)	<b>1</b>										

NUMBER	CONTACT MATING WIPE LENGTH		COMPLIANT PIN DRILL SIZE
	SIGNAL	WIDE GROUND	
1	2	4	Ø0.55 [0.0217"]
2	3	4	Ø0.55 [0.0217"]
3	2	4	Ø0.45 [0.0177"]
4	3	4	Ø0.45 [0.0177"]
5	2	3	Ø0.55 [0.0217"]
6	3	3	Ø0.55 [0.0217"]
7	2	3	Ø0.45 [0.0177"]
8	3	3	Ø0.45 [0.0177"]

	GROUNDED	UNGROUNDED
FINISHED	Ø2.35-2.55	Ø2.35-2.55
PAD	Ø5.50	N/A
PLATED	YES	NO
DRILL (mm/in)	2.58 / .1015	2.44 / .096

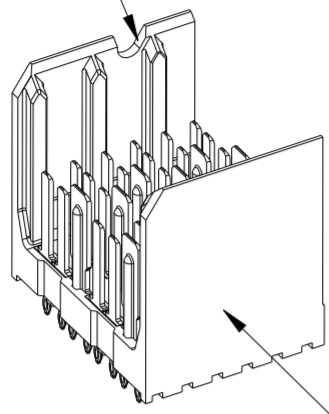
SCREW P/N	DESCRIPTION	BOARD THICKNESS
10091790-002LF	#2-56 X .375" PHILLIPS PANHEAD W/SQ CONICAL WASHER	1.60 - 5.00
10091790-003LF	#2-56 X .500" PHILLIPS PANHEAD W/SQ CONICAL WASHER	5.00 - 10.00

Copyright FCI. FCI

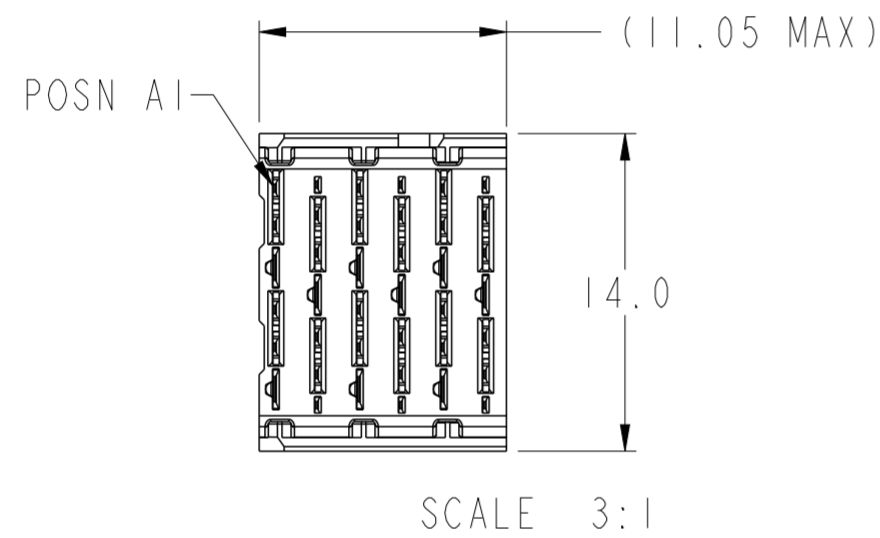
spec ref	SEE NOTES	dr	Kok-Hoe Lee	2010/06/27	projection	MM	size	A2	scale	2:1	
tolerance std	ASME Y14.5	eng	Sandar Soe	2014/09/17	chr	-	ecn no	ELX-S-18843-1	rel level	Released	
surface	linear	0.X	±0.2	0.XX	±0.10	0.XXX	±0.050	angular	0°	±°	
www.fci.com		cat. no.		SEE P/N TREE		Product - Customer Drw		sheet 1 of 8		rev	F

# OPEN (2-WALL) MODULE

SEE NOTE 8

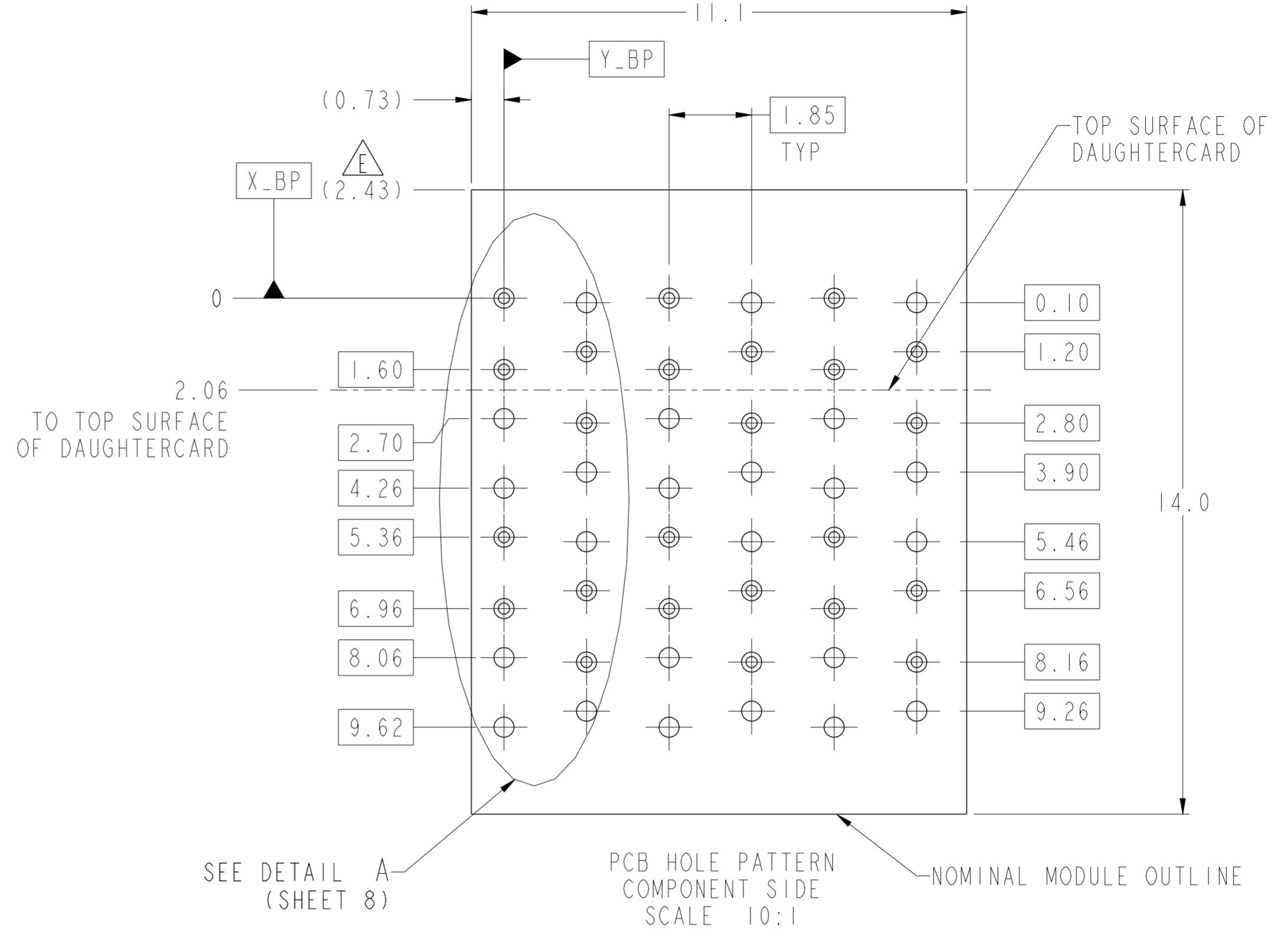
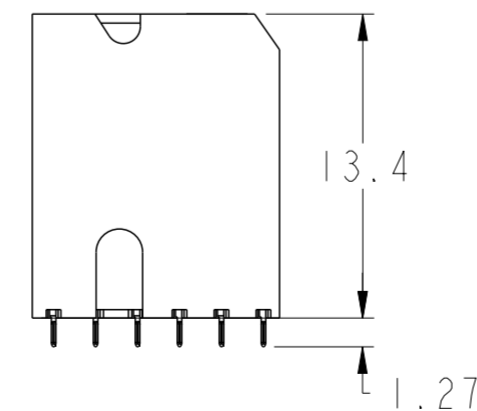
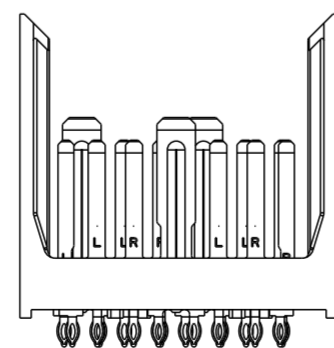
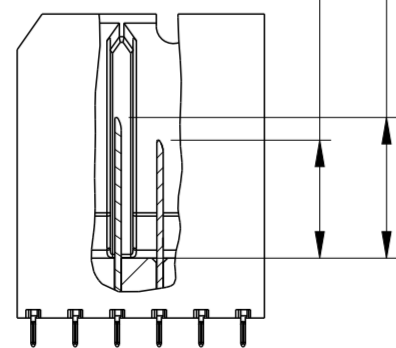


SEE NOTE 5



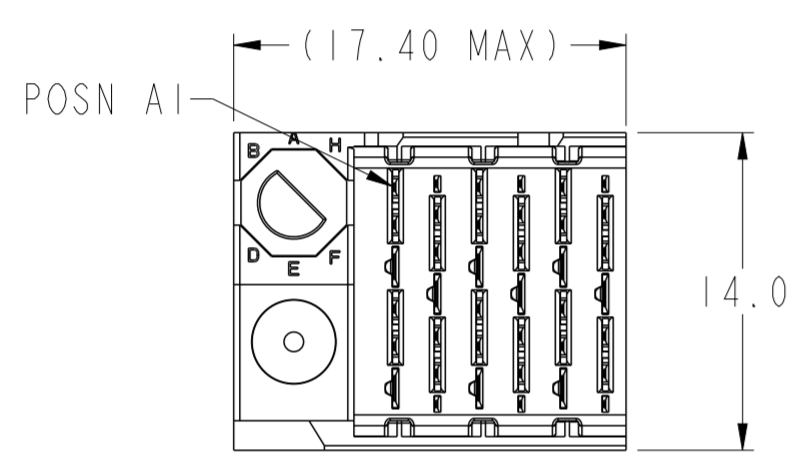
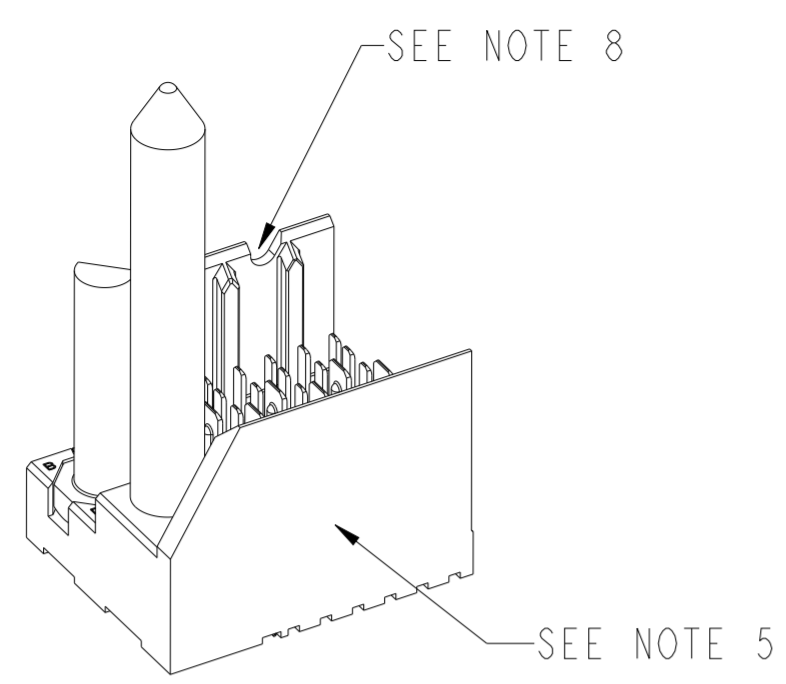
- 6.2 (4MM WIPE WIDE GROUNDS)
- 5.2 (3MM WIPE WIDE GROUNDS)
- 5.2 (3MM SMALL END GROUNDS)
- 5.2 (3MM WIPE SIGNALS)
- 4.2 (2MM WIPE SIGNALS)

(SEE P/N TREE FOR ALL COMBINATIONS AVAILABLE)



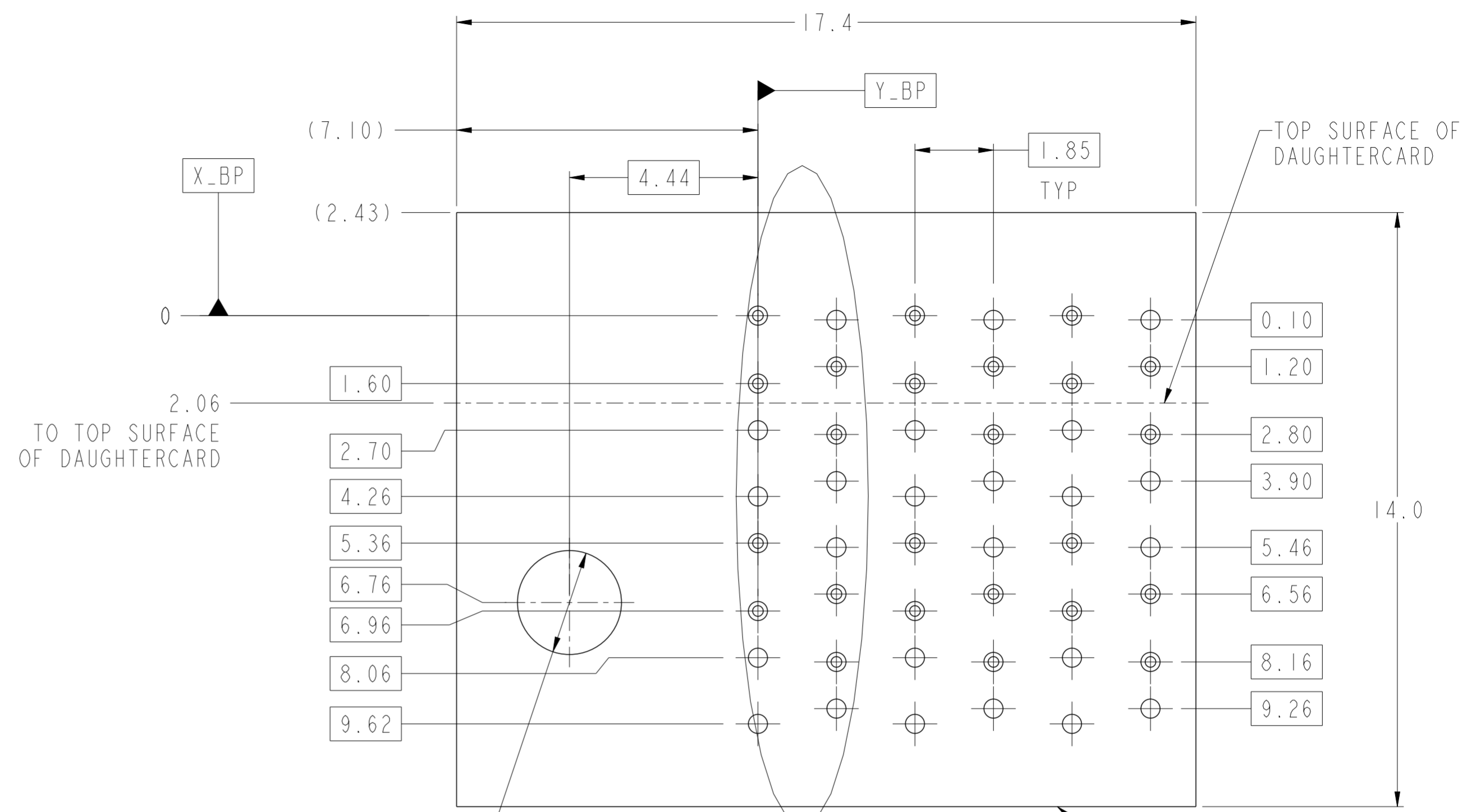
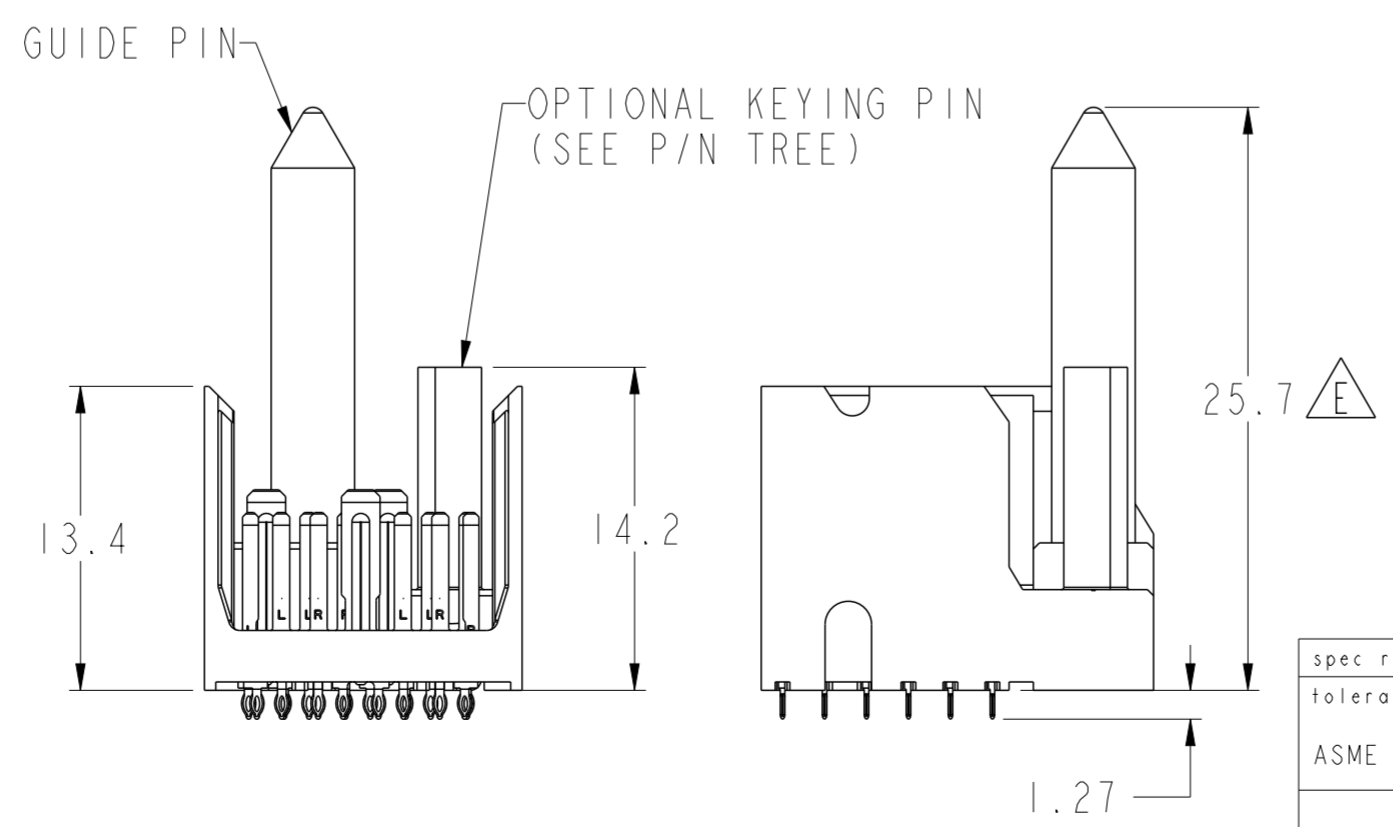
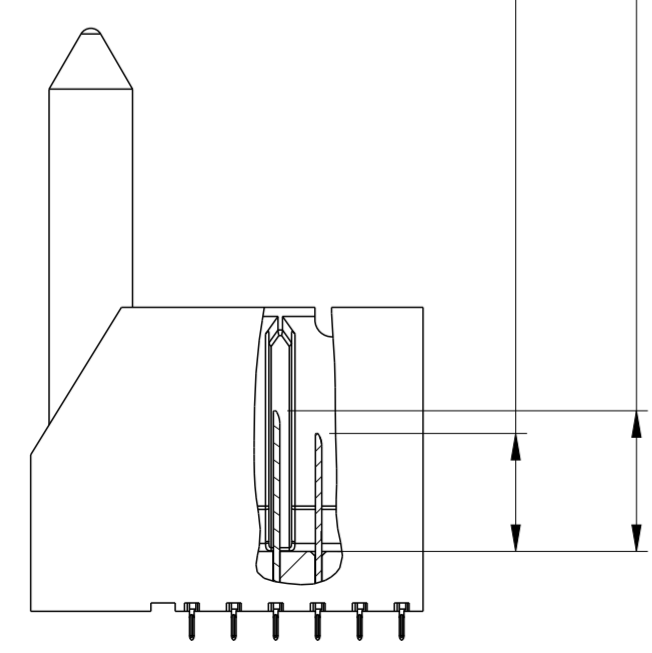
spec ref	SEE NOTES	dr	Kok-Hoe Lee	2010/06/27	projection	MM	size	A2	scale	2:1
tolerance std	ASME Y14.5	eng	Sandar Soe	2014/09/17	chr	-	ecn no	ELX-S-18843-1	rel level	Released
surface	✓	appr	Chen-Hong Tan	2014/12/10	product family	XCede	rel level	Released	dwg no	10113947
ASME Y14.5	linear	0.X	±0.2	0.XX	±0.10	0.XXX	±0.050	angular	0°	±°
		www.fci.com		TITLE		MODULE ASSEMBLY		cat. no.		SEE P/N TREE
				Product - Customer Drw		sheet 2 of 8		rev		F

# LEFT POLARIZING/GUIDE MODULE



SCALE 3:1

- 6.2 (4MM WIPE WIDE GROUNDS)
  - 5.2 (3MM WIPE WIDE GROUNDS)
  - 5.2 (3MM SMALL END GROUNDS)
  - 5.2 (3MM WIPE SIGNALS)
  - 4.2 (2MM WIPE SIGNALS)
- (SEE P/N TREE FOR ALL COMBINATIONS AVAILABLE)



$\varnothing$ 0.10	X_BP	Y_BP
--------------------	------	------

SEE NOTE 11 & TABLE 1

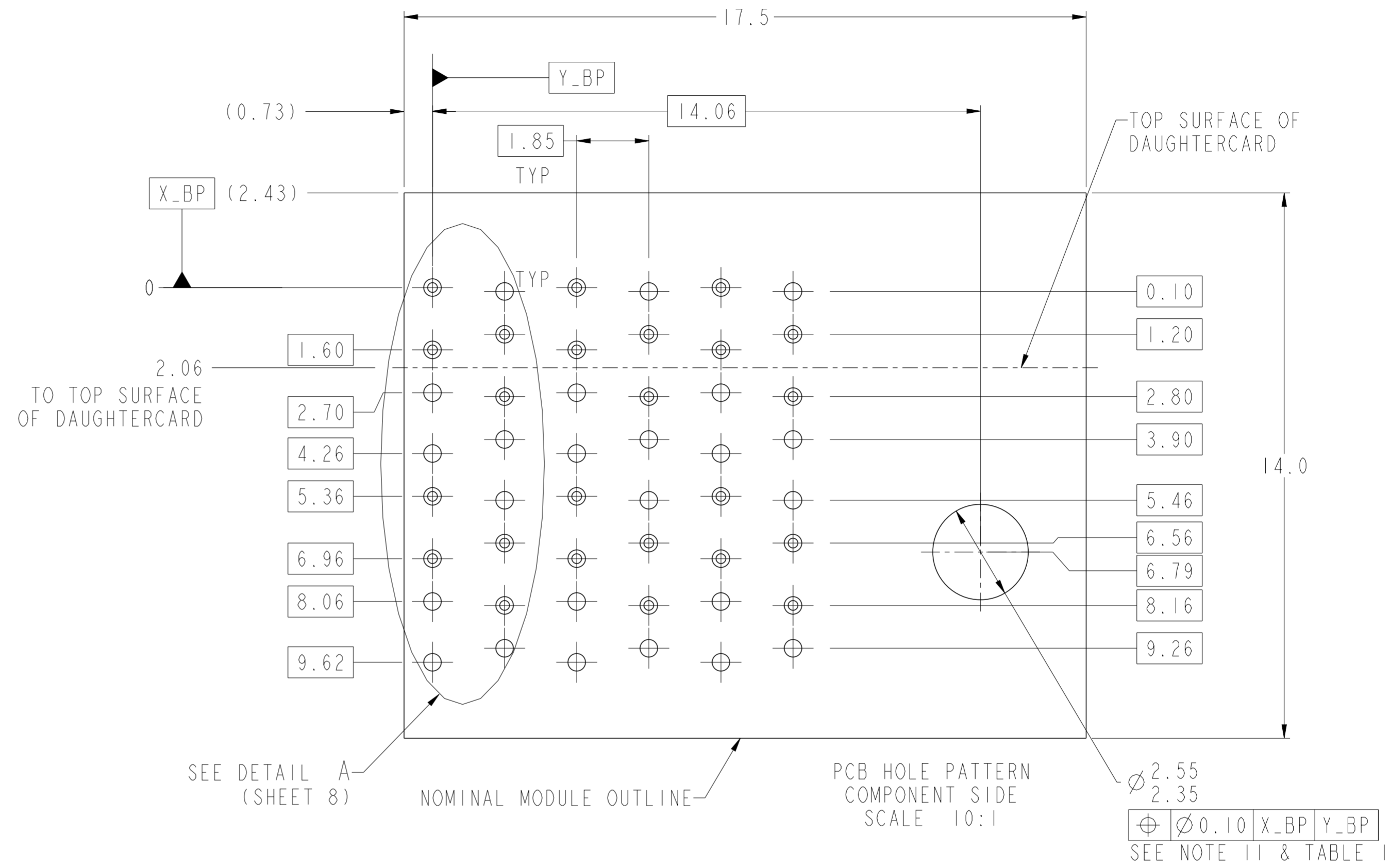
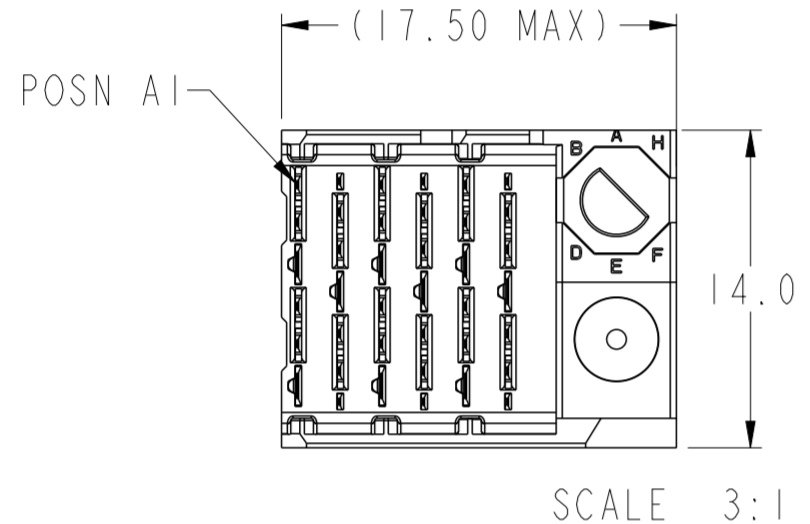
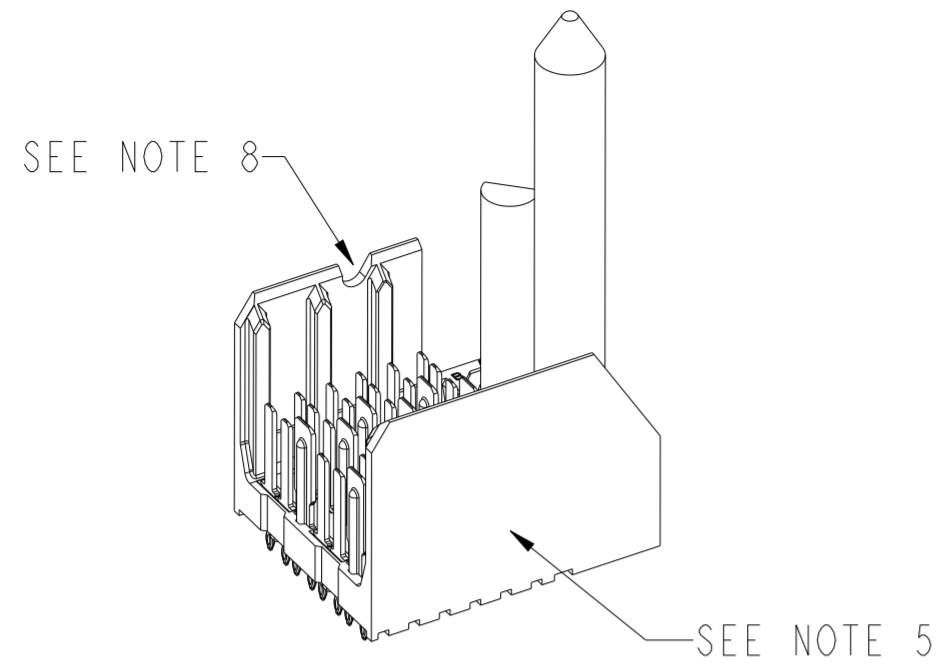
SEE DETAIL A (SHEET 8)

PCB HOLE PATTERN COMPONENT SIDE SCALE 10:1  
NOMINAL MODULE OUTLINE

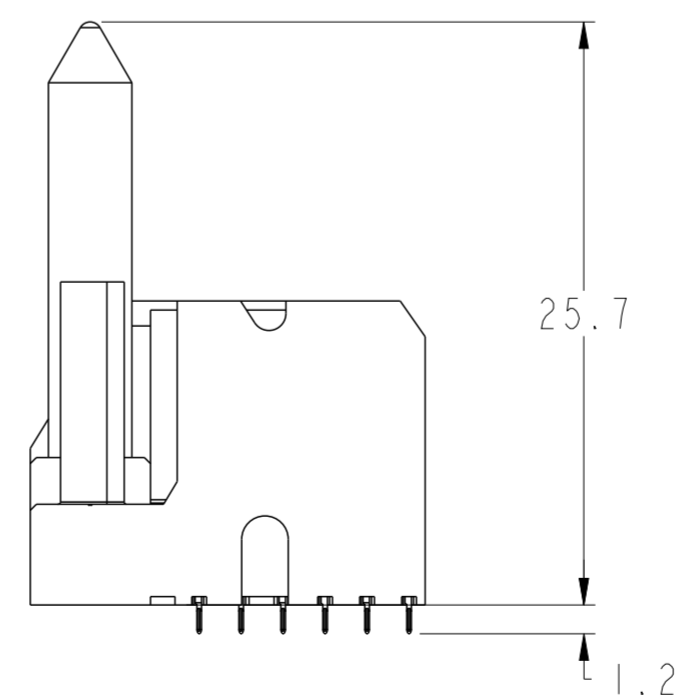
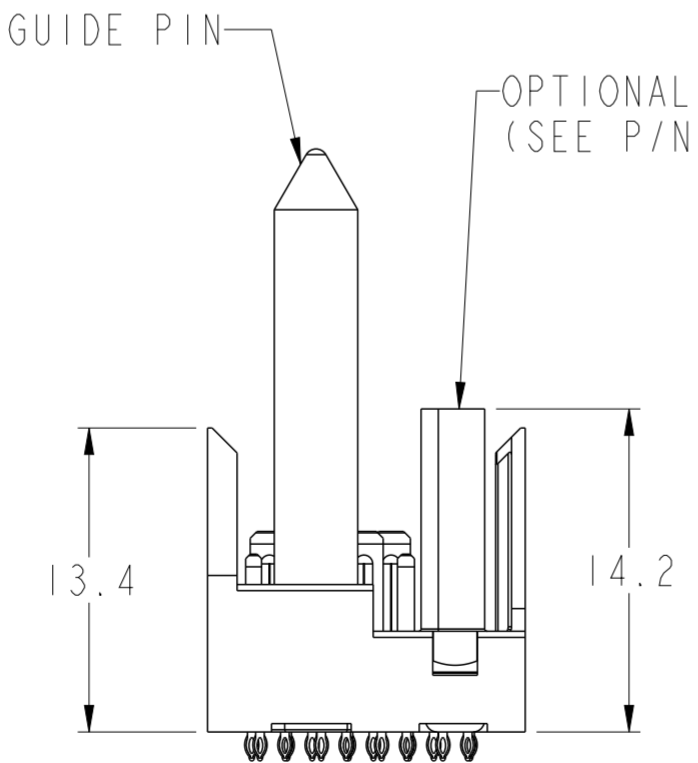
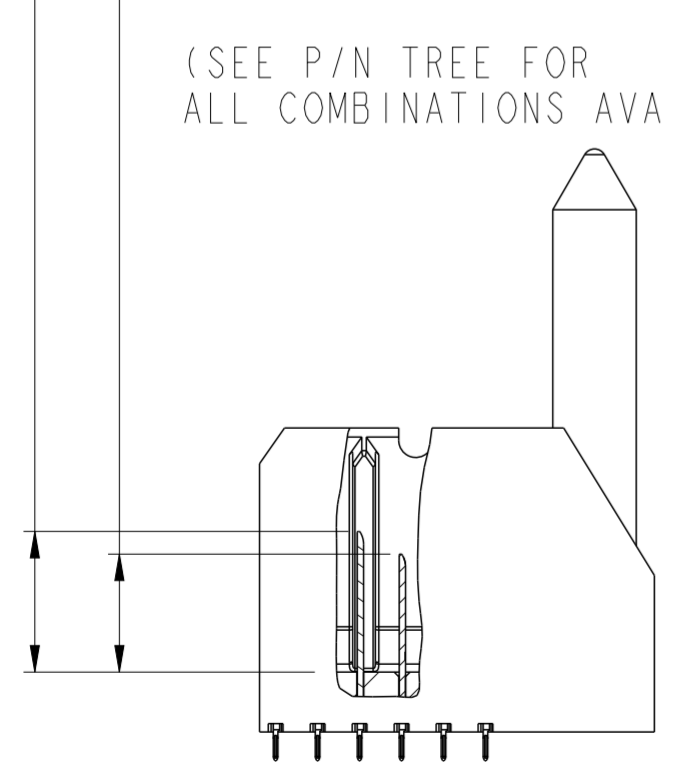
spec ref	SEE NOTES	dr	Kok-Hoe Lee	2010/06/27	projection	MM	size	A2	scale	2:1
tolerance std	ASME Y14.5	eng	Sandar Soe	2014/09/17	chr	-	ecn no	ELX-S-18843-1	rel level	Released
surface	✓	appr	Chen-Hong Tan	2014/12/10	product family	XCede	cat. no.	SEE P/N TREE	Product - Customer Drw	sheet 3 of 8
linear	0.X ±0.2 0.XX ±0.10 0.XXX ±0.050	angular	0° ±°			<b>MODULE ASSEMBLY</b> VERTICAL HEADER, 6-COLUMN, 2-PAIR	10113947	F		

Copyright FCI. FCI

# RIGHT POLARIZING/GUIDE MODULE



- 6.2 (4MM WIPE WIDE GROUNDS)
  - 5.2 (3MM WIPE WIDE GROUNDS)
  - 5.2 (3MM SMALL END GROUNDS)
  - 5.2 (3MM WIPE SIGNALS)
  - 4.2 (2MM WIPE SIGNALS)
- (SEE P/N TREE FOR ALL COMBINATIONS AVAILABLE)

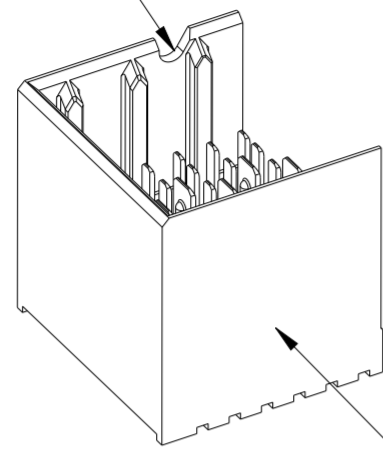


spec ref	SEE NOTES	dr	Kok-Hoe Lee	2010/06/27	projection	MM	size	A2	scale	2:1
tolerance std	ASME Y14.5	eng	Sandar Soe	2014/09/17	chr	-	ecn no	ELX-S-18843-1	rel level	Released
surface	✓	appr	Chen-Hong Tan	2014/12/10	product family	XCode	cat. no.	SEE P/N TREE	Product - Customer Drw	sheet 4 of 8
linear	0.X ±0.2 0.XX ±0.10 0.XXX ±0.050	angular	0° ±°			<b>MODULE ASSEMBLY</b> VERTICAL HEADER, 6-COLUMN, 2-PAIR	dwg no 10113947	rev F		

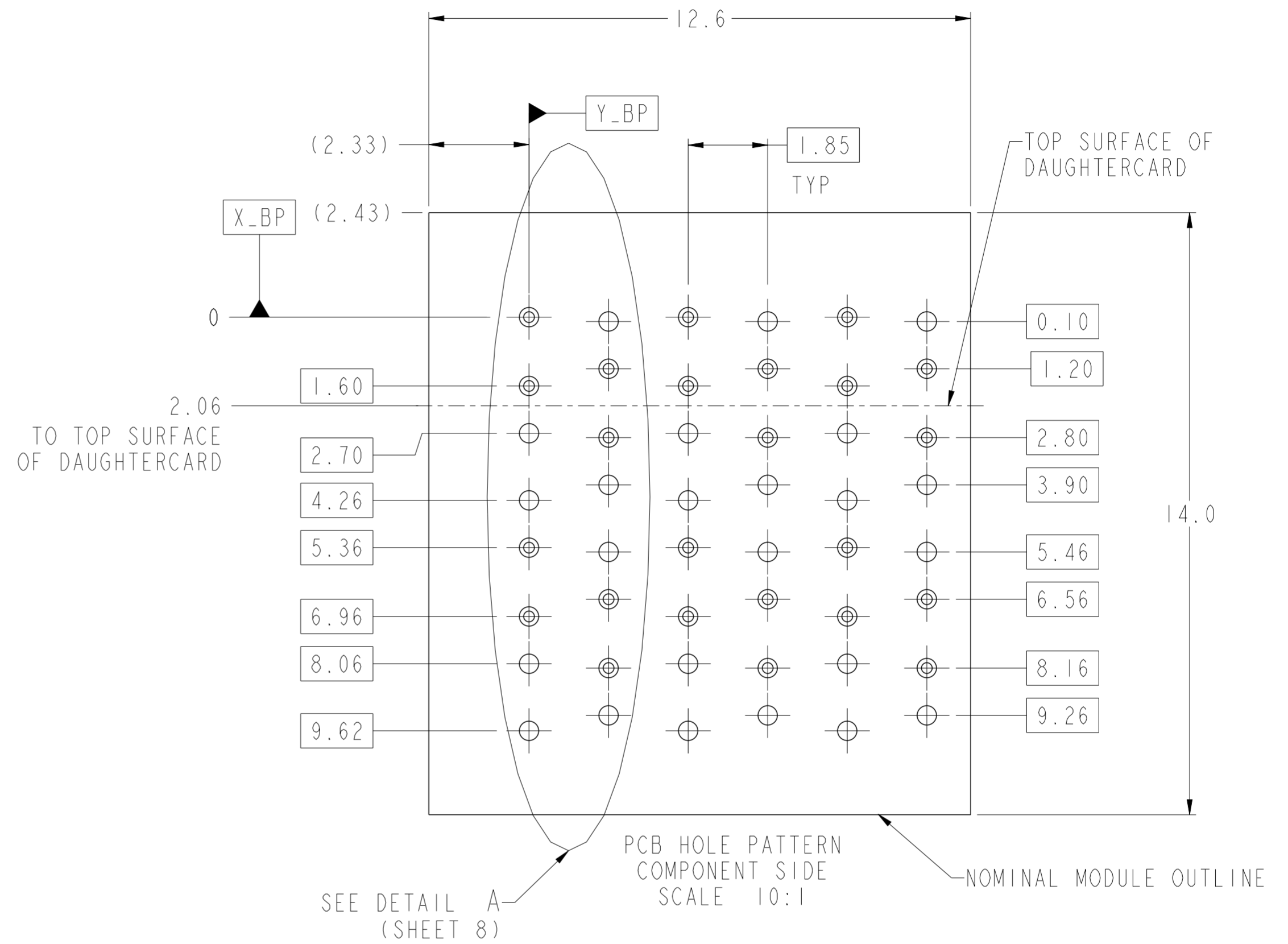
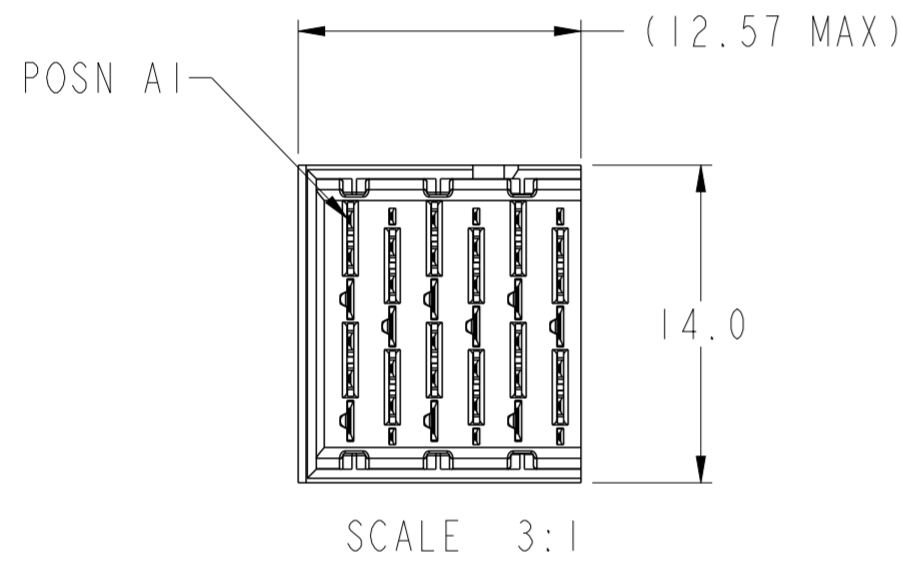
Copyright FCI.  
**FCJ**

# LEFT WALL MODULE

SEE NOTE 8

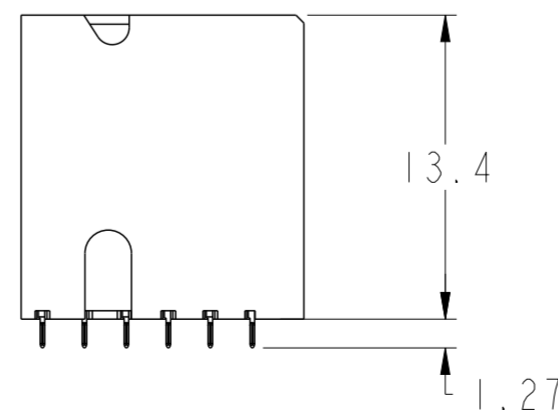
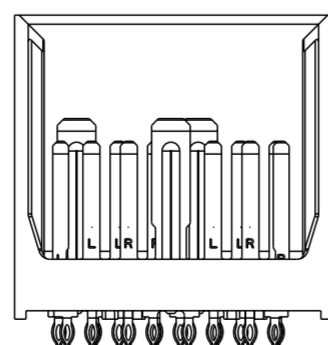
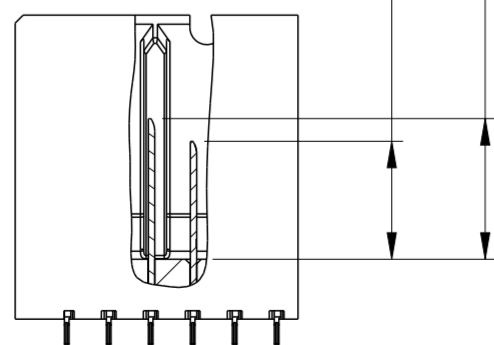


SEE NOTE 5



- 6.2 (4MM WIPE WIDE GROUNDS)
- 5.2 (3MM WIPE WIDE GROUNDS)
- 5.2 (3MM SMALL END GROUNDS)
- 5.2 (3MM WIPE SIGNALS)
- 4.2 (2MM WIPE SIGNALS)

(SEE P/N TREE FOR ALL COMBINATIONS AVAILABLE)

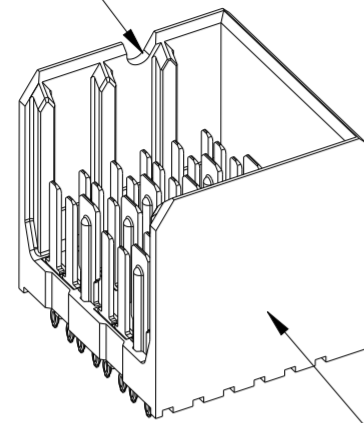


spec ref	SEE NOTES	dr	Kok-Hoe Lee	2010/06/27	projection	MM	size	A2	scale	2:1	
tolerance std	ASME Y14.5	eng	Sandar Soe	2014/09/17	chr	-	ecn no	ELX-S-18843-1	rel level	Released	
surface	✓	appr	Chen-Hong Tan	2014/12/10	product family	XCede	rel level	Blue	dwg no	10113947	
ASME Y14.5	linear	0.X	±0.2	0.XX	±0.10	0.XXX	±0.050	angular	0°	±°	
		www.fci.com		TITLE		MODULE ASSEMBLY		cat. no.		SEE P/N TREE	
				Product - Customer		Drw		sheet 5 of 8		rev	F

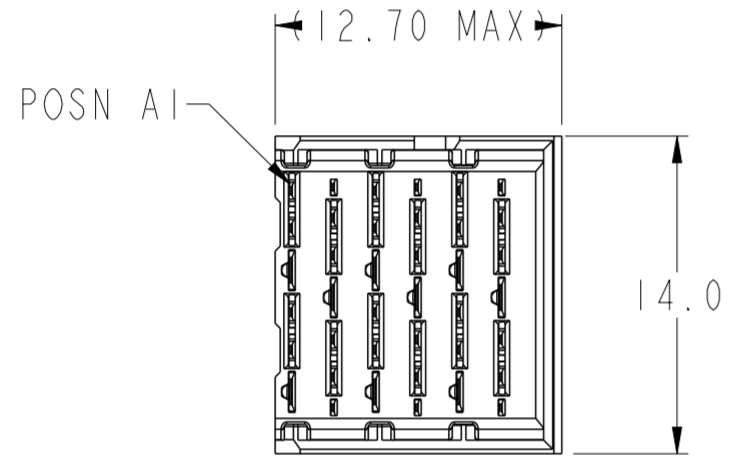


# RIGHT WALL MODULE

SEE NOTE 8



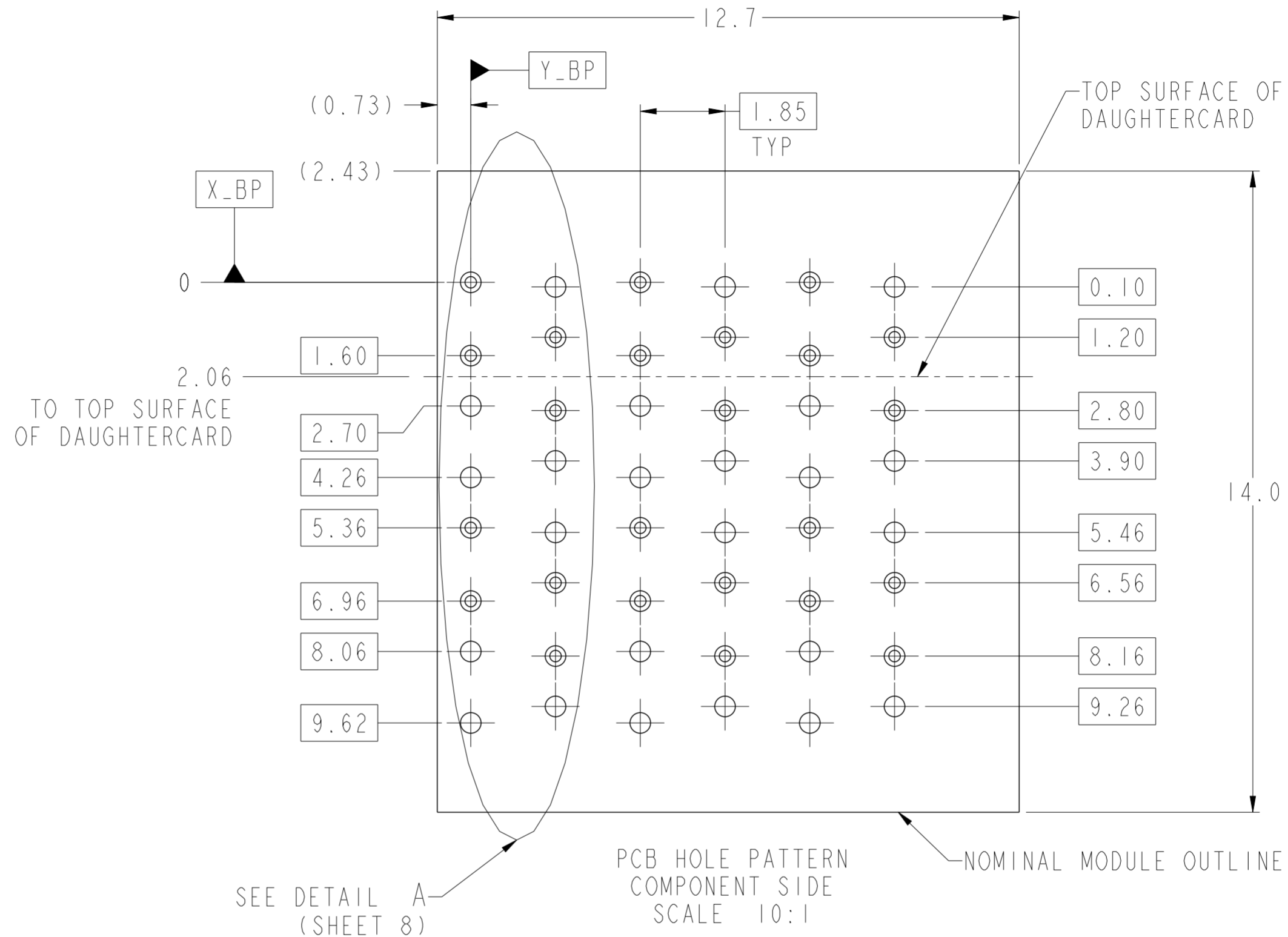
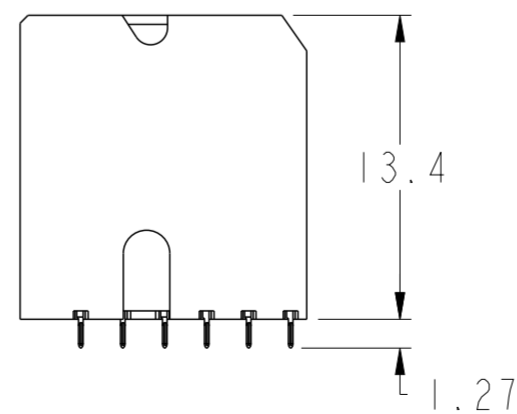
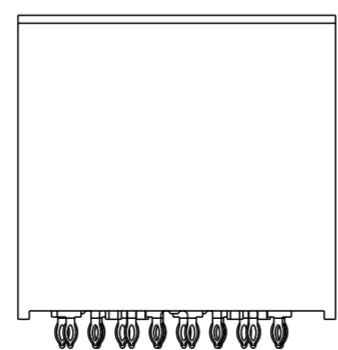
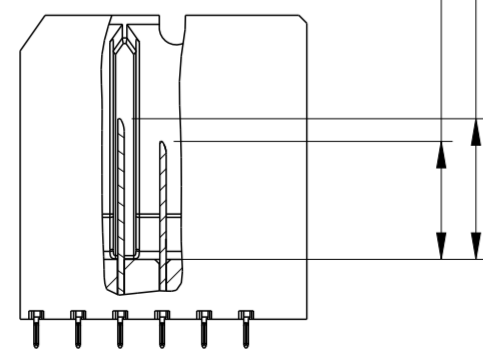
SEE NOTE 5



SCALE 3:1

- 6.2 (4MM WIPE WIDE GROUNDS)
- 5.2 (3MM WIPE WIDE GROUNDS)
- 5.2 (3MM SMALL END GROUNDS)
- 5.2 (3MM WIPE SIGNALS)
- 4.2 (2MM WIPE SIGNALS)

(SEE P/N TREE FOR ALL COMBINATIONS AVAILABLE)



SEE DETAIL A (SHEET 8)

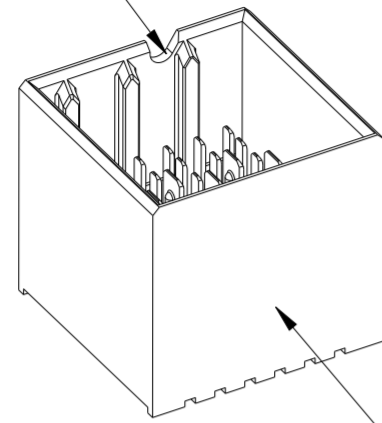
PCB HOLE PATTERN COMPONENT SIDE SCALE 10:1

NOMINAL MODULE OUTLINE

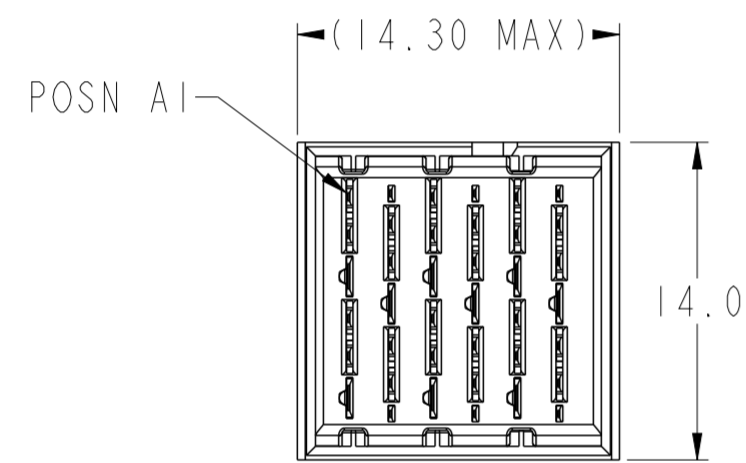
spec ref	SEE NOTES	dr	Kok-Hoe Lee	2010/06/27	projection	MM	size	A2	scale	2:1	
tolerance std	ASME Y14.5	eng	Sandar Soe	2014/09/17	chr	-	ecn no	ELX-S-18843-1	rel level	Released	
surface	✓	appr	Chen-Hong Tan	2014/12/10	product family	XCede	rel level	Released	dwg no	10113947	
ASME Y14.5	linear	0.X	±0.2	0.XX	±0.10	0.XXX	±0.050	angular	0°	±°	
		www.fci.com		cat. no.		SEE P/N TREE	Product - Customer Drw		sheet 6 of 8	rev	F

# FOUR WALL MODULE

SEE NOTE 8



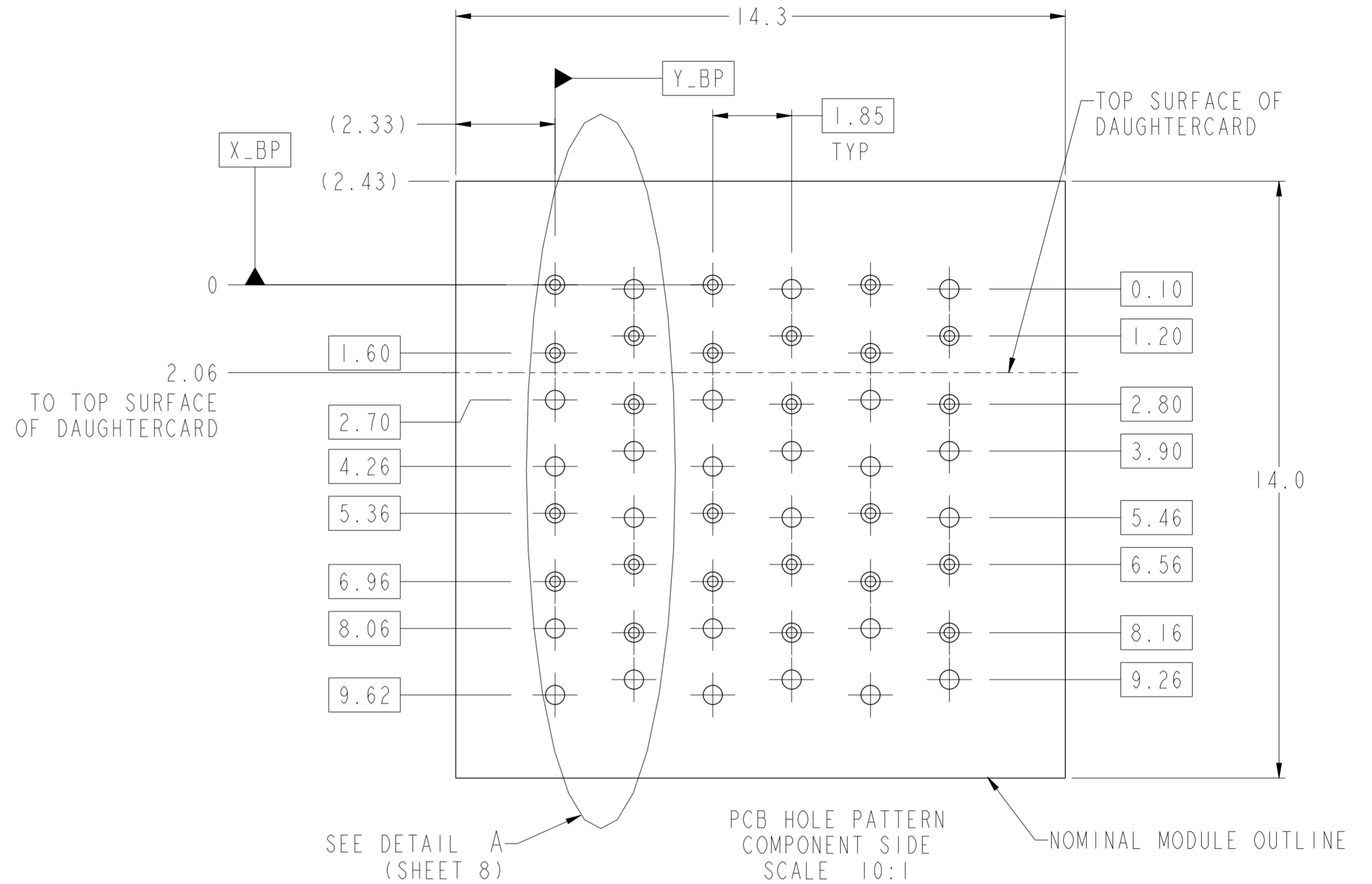
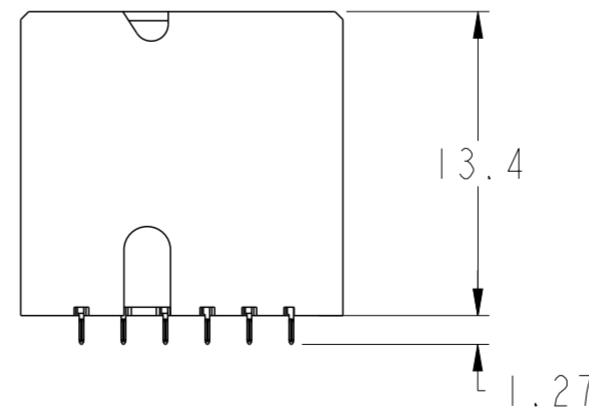
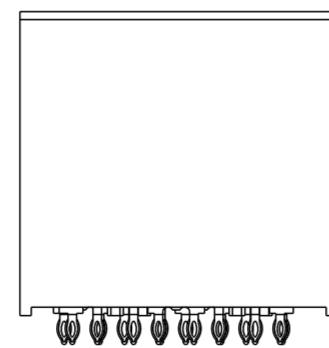
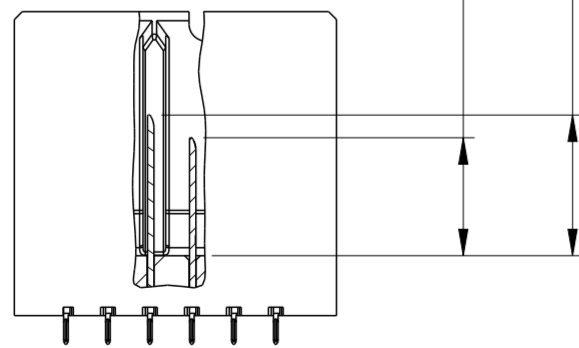
SEE NOTE 5



SCALE 3:1

- 6.2 (4MM WIPE WIDE GROUNDS)
- 5.2 (3MM WIPE WIDE GROUNDS)
- 5.2 (3MM SMALL END GROUNDS)
- 5.2 (3MM WIPE SIGNALS)
- 4.2 (2MM WIPE SIGNALS)

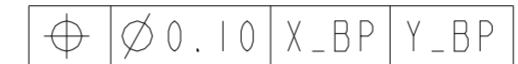
(SEE P/N TREE FOR ALL COMBINATIONS AVAILABLE)



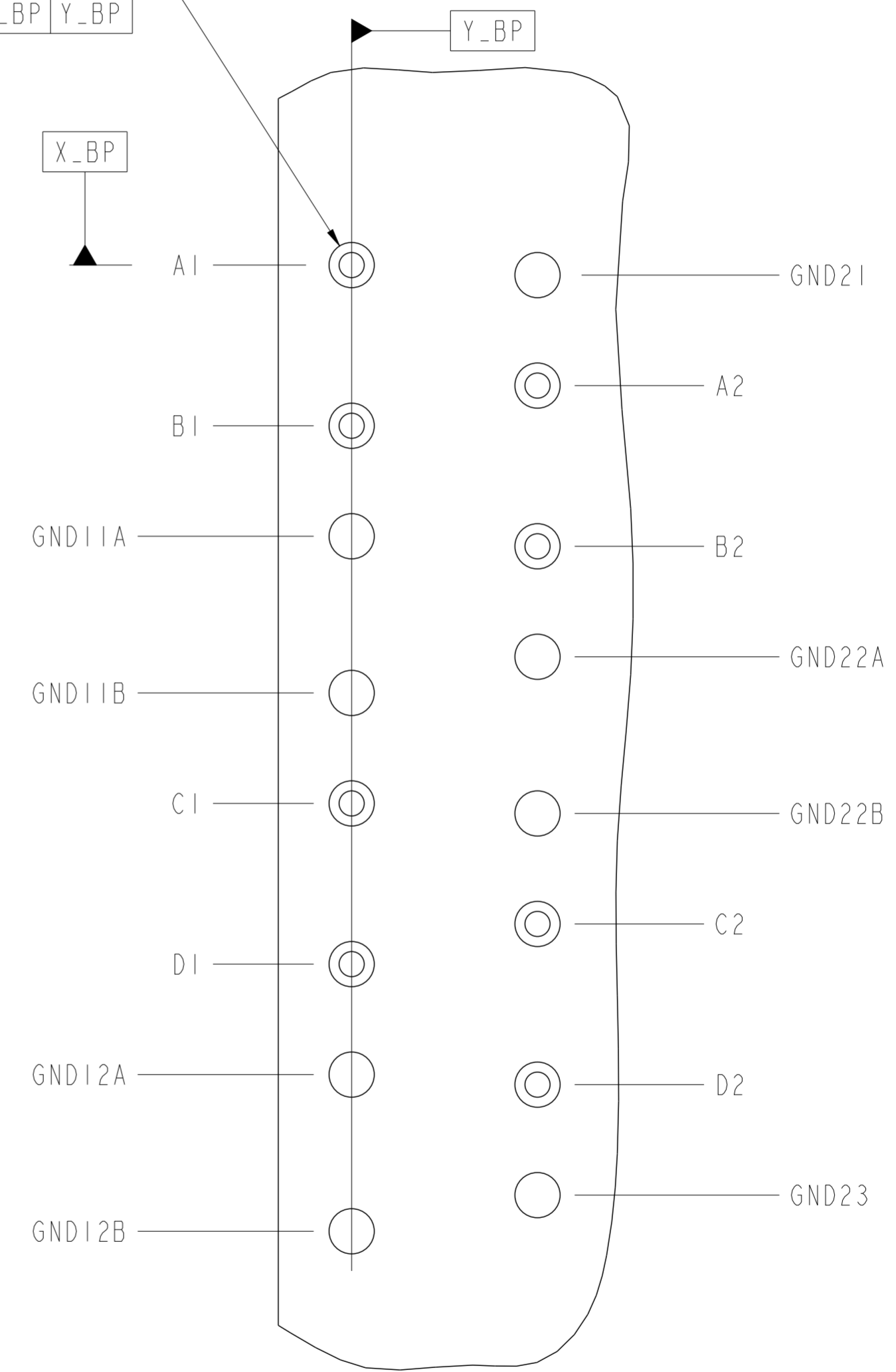
spec ref	SEE NOTES	dr	Kok-Hoe Lee	2010/06/27	projection	MM	size	A2	scale	2:1
tolerance std	ASME Y14.5	eng	Sandar Soe	2014/09/17	chr	-	ecn no	ELX-S-18843-1	rel level	Released
surface	✓	appr	Chen-Hong Tan	2014/12/10	product family	XCede	cat. no.	SEE P/N TREE	Product - Customer Drw	sheet 7 of 8
linear	0.X ±0.2 0.XX ±0.10 0.XXX ±0.050	angular	0° ±°			TITLE MODULE ASSEMBLY VERTICAL HEADER, 6-COLUMN, 2-PAIR	drwg no 10113947	rev F		

TABLE 3: PTH AND PAD SIZES WITH REFERENCE TO COMPLIANT PIN DRILL		
COMPLIANT PIN DRILL	PTH	PAD
Ø0.55 [0.0217"]	Ø0.45±0.05	Ø0.85
Ø0.45 [0.0177"]	Ø0.36±0.05	Ø0.75

REFER TO TABLE 3 FOR PTH, DRILL & PAD SIZES



- NOTES:
- CONNECTOR MATERIALS  
SHROUD: HIGH-TEMP THERMOPLASTIC, GRAY, UL94V-0  
CONTACTS: HIGH PERFORMANCE COPPER ALLOY
  - CONTACT PLATING:  
  
SEPARABLE INTERFACE: PERFORMANCE-BASED PLATING, QUALIFIED TO MEET THE REQUIREMENTS OF FCI PRODUCT SPECIFICATION GS-12-588, INCLUDING TELCORDIA GR-1217-CORE (NOVEMBER 1995) CENTRAL OFFICE TEST (CO) OR UNCONTROLLED ENVIRONMENT TEST SEQUENCE AS NOTED IN P/N TREE.  
  
PRESS-FIT TAILS: TIN OVER NICKEL, OR TIN-LEAD ALLOY OVER NICKEL. SEE P/N TREE.
  - PRODUCT SPECIFICATION: GS-12-588
  - APPLICATION SPECIFICATION: GS-20-121
  - PRODUCT MARKING (PART NUMBER AND LOT CODE) ON THESE SURFACES.
  - HOUSING MUST WITHSTAND EXPOSURE TO 260°C PEAK TEMPERATURE FOR 40 SECONDS IN A CONVECTION, INFRA-RED, OR VAPOR-PHASE REFLOW OVEN.
  - PACKAGING MEETS GS-14-920 LEAD-FREE LABELING SPECIFICATION.
  - NOTCH INDICATES "ROW A" SIDE OF CONNECTOR.
  - SEE APPLICATION SPECIFICATION FOR ROUTING GUIDELINES, ADDITIONAL PTH GUIDELINES, MATED DIMENSIONS, GUIDE PN SELECTION, ETC.
  - SCREW IS OPTIONAL AND ENGAGES WITH BOTTOM OF GUIDE-PIN FROM BENEATH THE PCB FOR ADDITIONAL GUIDE-PIN SUPPORT.
  - OPTIONAL HOLE LOCATION FOR GROUNDED PIN OR ADDITIONAL GUIDE-PIN SUPPORT. SEE TABLE 1 ON SHEET 1 FOR ADDITIONAL DETAILS.
  - A SYMBOL WILL BE NEXT TO ANY DIMENSION, VIEW, OR NOTE WHICH HAS BEEN MODIFIED WITH THE CURRENT DRAWING REVISION.



DETAIL A  
SCALE 20:1

spec ref	SEE NOTES	dr	Kok-Hoe Lee	2010/06/27	projection	MM	size	A2	scale	2:1	
tolerance std	TOLERANCES UNLESS OTHERWISE SPECIFIED	eng	Sandar Soe	2014/09/17			ecn no	ELX-S-18843-1			
ASME Y14.5		chr	-	rel level			Released				
		appr	Chen-Hong Tan	2014/12/10			product family	XCode			
surface	linear	0.X	±0.2		<b>MODULE ASSEMBLY</b> VERTICAL HEADER, 6-COLUMN, 2-PAIR		diag no	10113947		rev	F
		0.XX	±0.10		cat. no.	SEE P/N TREE	Product - Customer Drw	sheet 8 of 8			
ASME Y14.5	angular	0°	±°		www.fci.com						

Copyright FCI. FCI