

Notice for TAIYO YUDEN products

Please read this notice before using the TAIYO YUDEN products.

REMINDERS

- Product information in this catalog is as of October 2014. All of the contents specified herein are subject to change without notice due to technical improvements, etc. Therefore, please check for the latest information carefully before practical application or usage of the Products.

Please note that TAIYO YUDEN CO., LTD. shall not be responsible for any defects in products or equipment incorporating such products, which are caused under the conditions other than those specified in this catalog or individual specification.

- Please contact TAIYO YUDEN CO., LTD. for further details of product specifications as the individual specification is available.

- Please conduct validation and verification of products in actual condition of mounting and operating environment before commercial shipment of the equipment.

- All electronic components or functional modules listed in this catalog are developed, designed and intended for use in general electronics equipment.(for AV, office automation, household, office supply, information service, telecommunications, (such as mobile phone or PC) etc.). Before incorporating the components or devices into any equipment in the field such as transportation,(automotive control, train control, ship control), transportation signal, disaster prevention, medical, public information network (telephone exchange, base station) etc. which may have direct influence to harm or injure a human body, please contact TAIYO YUDEN CO., LTD. for more detail in advance.

Do not incorporate the products into any equipment in fields such as aerospace, aviation, nuclear control, submarine system, military, etc. where higher safety and reliability are especially required.

In addition, even electronic components or functional modules that are used for the general electronic equipment, if the equipment or the electric circuit require high safety or reliability function or performances, a sufficient reliability evaluation check for safety shall be performed before commercial shipment and moreover, due consideration to install a protective circuit is strongly recommended at customer's design stage.

- The contents of this catalog are applicable to the products which are purchased from our sales offices or distributors (so called "TAIYO YUDEN' s official sales channel").

It is only applicable to the products purchased from any of TAIYO YUDEN' s official sales channel.

- Please note that TAIYO YUDEN CO., LTD. shall have no responsibility for any controversies or disputes that may occur in connection with a third party's intellectual property rights and other related rights arising from your usage of products in this catalog. TAIYO YUDEN CO., LTD. grants no license for such rights.

- Caution for export

Certain items in this catalog may require specific procedures for export according to "Foreign Exchange and Foreign Trade Control Law" of Japan, "U.S. Export Administration Regulations", and other applicable regulations. Should you have any question or inquiry on this matter, please contact our sales staff.

WIRE-WOUND CHIP INDUCTORS FOR SIGNAL LINES (LB SERIES M TYPE)



REFLOW

■ PARTS NUMBER

*Operating Temp. : -40~+105°C (Including self-generated heat)

| | | | | | | | | | | | | |
|---|---|---|---|---|---|---|---|---|---|---|---|---|
| L | B | M | 2 | 0 | 1 | 6 | T | 1 | 0 | 0 | J | △ |
| ① | | | ② | | ③ | | ④ | | ⑤ | | ⑥ | |

△ = Blank space

① Series name

| Code | Series name |
|------|-------------------------------------|
| LBM | Wound chip inductor for signal line |

② Dimensions (L × W)

| Code | Dimensions (L × W) [mm] |
|------|-------------------------|
| 2016 | 2.0 × 1.6 |

③ Packaging

| Code | Packaging |
|------|-----------|
| T | Taping |

④ Nominal inductance

| Code (example) | Nominal inductance [μH] |
|----------------|-------------------------|
| R12 | 0.12 |
| 1R0 | 1.00 |
| 100 | 10 |
| 101 | 100 |

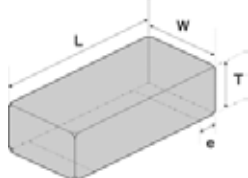
※R=Decimal point

⑤ Inductance tolerance

| Code | Inductance tolerance |
|------|----------------------|
| J | ±5% |

⑥ Internal code

■ STANDARD EXTERNAL DIMENSIONS / STANDARD QUANTITY



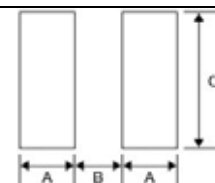
Recommended Land Patterns

Surface Mounting

- Mounting and soldering conditions should be checked beforehand.
- Applicable soldering process to these products is reflow soldering only.

| Type | A | B | C |
|---------|-----|-----|-----|
| LBM2016 | 0.6 | 1.0 | 1.8 |

Unit: mm



| Type | L | W | T | e | Standard quantity [pcs] | |
|---------|-------------------------|--------------------------|--------------------------|-------------------------|-------------------------|---------------|
| | | | | | Paper tape | Embossed tape |
| LBM2016 | 2.0±0.2 (0.08±0.008) | 1.6±0.2 (0.063±0.008) | 1.6±0.2 (0.063±0.008) | 0.5±0.2 (0.02±0.008) | — | 2000 |

Unit: mm (inch)

LBM2016 type

| Parts number | EHS | Nominal inductance [μ H] | Inductance tolerance | Q (min.) | Self-resonant frequency [MHz] (min.) | DC Resistance [Ω] ($\pm 30\%$) | Rated current [mA] (max.) | Measuring frequency [MHz] |
|---------------|------|----------------------------------|----------------------|-------------|--|--|------------------------------|---------------------------------|
| LBM 2016TR12J | RoHS | 0.12 | $\pm 5\%$ | 30 | 600 | 0.13 | 610 | 25.2 |
| LBM 2016TR15J | RoHS | 0.15 | $\pm 5\%$ | 30 | 550 | 0.15 | 570 | 25.2 |
| LBM 2016TR18J | RoHS | 0.18 | $\pm 5\%$ | 30 | 500 | 0.15 | 560 | 25.2 |
| LBM 2016TR22J | RoHS | 0.22 | $\pm 5\%$ | 30 | 450 | 0.20 | 520 | 25.2 |
| LBM 2016TR27J | RoHS | 0.27 | $\pm 5\%$ | 30 | 425 | 0.21 | 510 | 25.2 |
| LBM 2016TR33J | RoHS | 0.33 | $\pm 5\%$ | 30 | 400 | 0.21 | 490 | 25.2 |
| LBM 2016TR39J | RoHS | 0.39 | $\pm 5\%$ | 30 | 375 | 0.26 | 440 | 25.2 |
| LBM 2016TR47J | RoHS | 0.47 | $\pm 5\%$ | 30 | 350 | 0.26 | 430 | 25.2 |
| LBM 2016TR56J | RoHS | 0.56 | $\pm 5\%$ | 30 | 300 | 0.29 | 410 | 25.2 |
| LBM 2016TR68J | RoHS | 0.68 | $\pm 5\%$ | 30 | 270 | 0.32 | 400 | 25.2 |
| LBM 2016TR82J | RoHS | 0.82 | $\pm 5\%$ | 30 | 250 | 0.34 | 390 | 25.2 |
| LBM 2016T1R0J | RoHS | 1.0 | $\pm 5\%$ | 30 | 220 | 0.38 | 385 | 7.96 |
| LBM 2016T1R2J | RoHS | 1.2 | $\pm 5\%$ | 30 | 180 | 0.41 | 370 | 7.96 |
| LBM 2016T1R5J | RoHS | 1.5 | $\pm 5\%$ | 30 | 135 | 0.47 | 350 | 7.96 |
| LBM 2016T1R8J | RoHS | 1.8 | $\pm 5\%$ | 30 | 100 | 0.48 | 345 | 7.96 |
| LBM 2016T2R2J | RoHS | 2.2 | $\pm 5\%$ | 30 | 75 | 0.54 | 340 | 7.96 |
| LBM 2016T2R7J | RoHS | 2.7 | $\pm 5\%$ | 30 | 55 | 0.59 | 310 | 7.96 |
| LBM 2016T3R3J | RoHS | 3.3 | $\pm 5\%$ | 30 | 48 | 0.68 | 290 | 7.96 |
| LBM 2016T3R9J | RoHS | 3.9 | $\pm 5\%$ | 30 | 43 | 0.74 | 275 | 7.96 |
| LBM 2016T4R7J | RoHS | 4.7 | $\pm 5\%$ | 30 | 40 | 0.78 | 270 | 7.96 |
| LBM 2016T5R6J | RoHS | 5.6 | $\pm 5\%$ | 25 | 36 | 0.88 | 255 | 7.96 |
| LBM 2016T6R8J | RoHS | 6.8 | $\pm 5\%$ | 25 | 33 | 0.97 | 240 | 7.96 |
| LBM 2016T8R2J | RoHS | 8.2 | $\pm 5\%$ | 25 | 30 | 1.1 | 225 | 7.96 |
| LBM 2016T100J | RoHS | 10 | $\pm 5\%$ | 25 | 27 | 1.2 | 215 | 2.52 |
| LBM 2016T120J | RoHS | 12 | $\pm 5\%$ | 25 | 23 | 1.4 | 200 | 2.52 |
| LBM 2016T150J | RoHS | 15 | $\pm 5\%$ | 25 | 20 | 1.5 | 190 | 2.52 |
| LBM 2016T180J | RoHS | 18 | $\pm 5\%$ | 25 | 18 | 2.5 | 150 | 2.52 |
| LBM 2016T220J | RoHS | 22 | $\pm 5\%$ | 25 | 17 | 2.8 | 140 | 2.52 |
| LBM 2016T270J | RoHS | 27 | $\pm 5\%$ | 25 | 16 | 3.2 | 130 | 2.52 |
| LBM 2016T330J | RoHS | 33 | $\pm 5\%$ | 25 | 15 | 3.6 | 125 | 2.52 |
| LBM 2016T390J | RoHS | 39 | $\pm 5\%$ | 20 | 14 | 3.9 | 120 | 2.52 |
| LBM 2016T470J | RoHS | 47 | $\pm 5\%$ | 20 | 13 | 4.1 | 115 | 2.52 |
| LBM 2016T560J | RoHS | 56 | $\pm 5\%$ | 20 | 12 | 5.9 | 95 | 2.52 |
| LBM 2016T680J | RoHS | 68 | $\pm 5\%$ | 20 | 11 | 7.0 | 90 | 2.52 |
| LBM 2016T820J | RoHS | 82 | $\pm 5\%$ | 20 | 10 | 7.7 | 85 | 2.52 |
| LBM 2016T101J | RoHS | 100 | $\pm 5\%$ | 15 | 9.0 | 8.0 | 80 | 0.796 |

WIRE-WOUND CHIP INDUCTORS (LB SERIES), WIRE-WOUND CHIP POWER INDUCTORS (CB SERIES), WIRE-WOUND CHIP INDUCTORS FOR SIGNAL LINES (LB SERIES M TYPE)

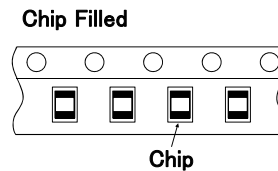
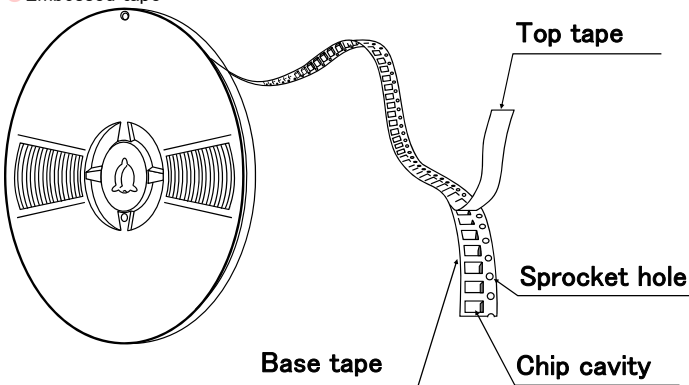
PACKAGING

① Minimum Quantity

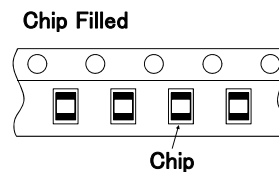
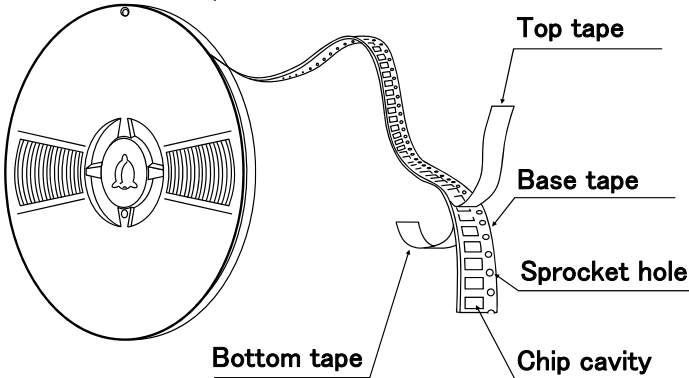
| Type | Standard Quantity [pcs] | |
|----------|-------------------------|---------------|
| | Paper Tape | Embossed Tape |
| LB C3225 | — | 1000 |
| CB C3225 | — | 1000 |
| LB 3218 | — | 2000 |
| LB R2518 | — | 2000 |
| LB C2518 | — | 2000 |
| LB 2518 | — | 2000 |
| CB 2518 | — | 2000 |
| CB C2518 | — | 2000 |
| LBM2016 | — | 2000 |
| LB C2016 | — | 2000 |
| LB 2016 | — | 2000 |
| CB 2016 | — | 2000 |
| CB C2016 | — | 2000 |
| LB 2012 | — | 3000 |
| LB C2012 | — | 3000 |
| LB R2012 | — | 3000 |
| CB 2012 | — | 3000 |
| CB C2012 | — | 3000 |
| CB L2012 | 4000 | — |
| LB 1608 | 4000 | — |
| LBMF1608 | — | 3000 |
| CBMF1608 | — | 3000 |

② Tape material

● Embossed tape



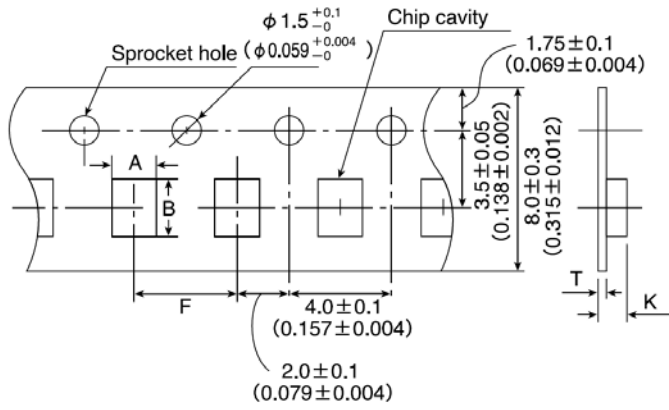
● Card board carrier tape



▶ This catalog contains the typical specification only due to the limitation of space. When you consider the purchase of our products, please check our specification. For details of each product (characteristics graph, reliability information, precautions for use, and so on), see our Web site (<http://www.ty-top.com/>).

③ Taping Dimensions

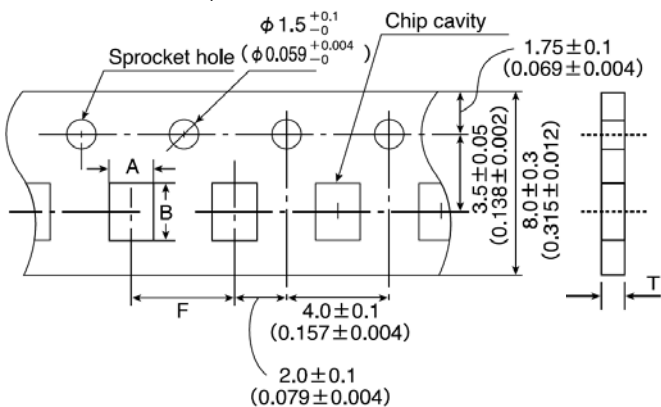
● Embossed Tape (0.315 inches wide)



| Type | Chip cavity | | Insertion pitch | Tape thickness | |
|--|-----------------------------------|-----------------------------------|----------------------------------|------------------------------------|-------------------------|
| | A | B | F | T | K |
| LBM2016 | 1.75 ± 0.1 (0.069 ± 0.004) | 2.1 ± 0.1 (0.083 ± 0.004) | 4.0 ± 0.1 (0.157 ± 0.004) | 0.3 ± 0.05 (0.012 ± 0.002) | 1.9max. (0.075max.) |
| LB C3225 CB C3225 | 2.8 ± 0.1 (0.110 ± 0.004) | 3.5 ± 0.1 (0.138 ± 0.004) | 4.0 ± 0.1 (0.157 ± 0.004) | 0.3 ± 0.05 (0.012 ± 0.002) | 4.0max. (0.157max.) |
| LB 3218 | 2.1 ± 0.1 (0.083 ± 0.004) | 3.5 ± 0.1 (0.138 ± 0.004) | 4.0 ± 0.1 (0.157 ± 0.004) | 0.3 ± 0.05 (0.012 ± 0.002) | 2.2max. (0.087max.) |
| LB 2518 CB 2518 LB C2518 CB C2518 LB R2518 | 2.15 ± 0.1 (0.085 ± 0.004) | 2.7 ± 0.1 (0.106 ± 0.004) | 4.0 ± 0.1 (0.157 ± 0.004) | 0.3 ± 0.05 (0.012 ± 0.002) | 2.2max. (0.087max.) |
| LB 2016 CB 2016 LB C2016 CB C2016 | 1.75 ± 0.1 (0.069 ± 0.004) | 2.1 ± 0.1 (0.083 ± 0.004) | 4.0 ± 0.1 (0.157 ± 0.004) | 0.3 ± 0.05 (0.012 ± 0.002) | 1.9max. (0.075max.) |
| LB 2012 CB 2012 LB C2012 CB C2012 LB R2012 | 1.45 ± 0.1 (0.057 ± 0.004) | 2.25 ± 0.1 (0.089 ± 0.004) | 4.0 ± 0.1 (0.157 ± 0.004) | 0.25 ± 0.05 (0.010 ± 0.002) | 1.45max. (0.057max.) |
| LBMF1608 CBMF1608 | 1.1 ± 0.1 (0.043 ± 0.004) | 1.9 ± 0.1 (0.075 ± 0.004) | 4.0 ± 0.1 (0.157 ± 0.004) | 0.25 ± 0.05 (0.010 ± 0.002) | 1.2max. (0.047max.) |

Unit: mm (inch)

● Card board carrier tape (0.315 inches wide)

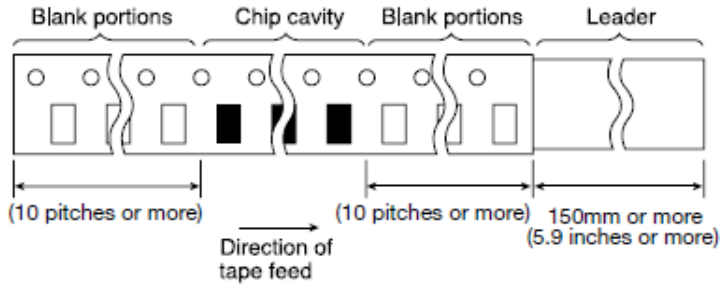


| Type | Chip cavity | | Insertion pitch | Tape thickness |
|----------|-----------------------------------|----------------------------------|----------------------------------|------------------------|
| | A | B | F | T |
| CB L2012 | 1.55 ± 0.1 (0.061 ± 0.004) | 2.3 ± 0.1 (0.091 ± 0.004) | 4.0 ± 0.1 (0.157 ± 0.004) | 1.1max. (0.043max.) |
| LB 1608 | 1.0 ± 0.1 (0.039 ± 0.004) | 1.8 ± 0.1 (0.071 ± 0.004) | 4.0 ± 0.1 (0.157 ± 0.004) | 1.1max. (0.043max.) |

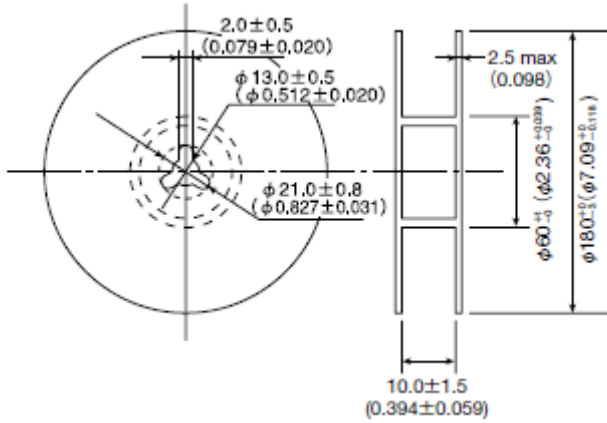
Unit: mm (inch)

▶ This catalog contains the typical specification only due to the limitation of space. When you consider the purchase of our products, please check our specification. For details of each product (characteristics graph, reliability information, precautions for use, and so on), see our Web site (<http://www.ty-top.com/>).

④ Leader and Blank Portion

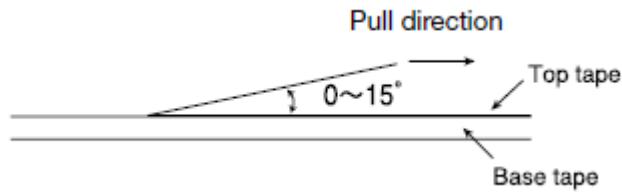


⑤ Reel Size



⑥ Top Tape Strength

The top tape requires a peel-off force 0.2 to 0.7N in the direction of the arrow as illustrated below.



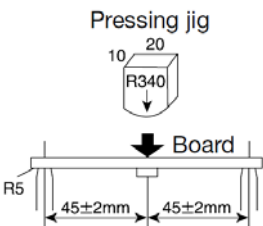
WIRE-WOUND CHIP INDUCTORS (LB SERIES), WIRE-WOUND CHIP POWER INDUCTORS (CB SERIES), WIRE-WOUND CHIP INDUCTORS FOR SIGNAL LINES (LB SERIES M TYPE)

RELIABILITY DATA

| 1. Operating temperature Range | | |
|--|---|---|
| Specified Value | LB, LBC, LBR, LBMF Series | -40~ +105°C (Including self-generated heat) |
| | CB, CBC, CBL, CBMF Series | |
| | LBM Series | |
| 2. Storage Temperature Range (after soldering) | | |
| Specified Value | LB, LBC, LBR, LBMF Series | -40~ +85°C |
| | CB, CBC, CBL, CBMF Series | |
| | LBM Series | |
| Test Methods and Remarks | LB, CB Series : Please refer the term of "7. storage conditions" in precautions. | |
| 3. Rated Current | | |
| Specified Value | LB, LBC, LBR, LBMF Series | Within the specified tolerance |
| | CB, CBC, CBL, CBMF Series | |
| | LBM Series | |
| 4. Inductance | | |
| Specified Value | LB, LBC, LBR, LBMF Series | Within the specified tolerance |
| | CB, CBC, CBL, CBMF Series | |
| | LBM Series | |
| Test Methods and Remarks | LB・LBC・LBR・CB・CBC・CBL・LBMF・CBMF・LBM Series Measuring equipment : LCR Meter (HP4285A or its equivalent) | |
| 5. Q | | |
| Specified Value | LB, LBC, LBR, LBMF Series | - |
| | CB, CBC, CBL, CBMF Series | |
| | LBM Series | Within the specified tolerance |
| Test Methods and Remarks | LBM Series Measuring equipment : LCR Meter (HP4285A or its equivalent) | |
| 6. DC Resistance | | |
| Specified Value | LB, LBC, LBR, LBMF Series | Within the specified tolerance |
| | CB, CBC, CBL, CBMF Series | |
| | LBM Series | |
| Test Methods and Remarks | Measuring equipment : DC Ohmmeter (HIOKI 3227 or its equivalent) | |
| 7. Self-Resonant Frequency | | |
| Specified Value | LB, LBC, LBR, LBMF Series | Within the specified tolerance |
| | CB, CBC, CBL, CBMF Series | |
| | LBM Series | |
| Test Methods and Remarks | Measuring equipment : Impedance analyzer (HP4291A or its equivalent) | |

▶ This catalog contains the typical specification only due to the limitation of space. When you consider the purchase of our products, please check our specification.
For details of each product (characteristics graph, reliability information, precautions for use, and so on), see our Web site (<http://www.ty-top.com/>).

| 8. Temperature Characteristic | | | | | |
|-------------------------------|--|-------------------------------------|---------|---------|---------------------------------------|
| Specified Value | LBM2016 | | | | Inductance change : Within $\pm 5\%$ |
| | LB1608 | LB2012 | LBR2012 | CB2012 | Inductance change : Within $\pm 20\%$ |
| | CBL2012 | LB2016 | CB2016 | LB2518 | |
| | LBR2518 | CB2518 | LBC3225 | CBC3225 | |
| | LBMF1608 | CBMF1608 | LBC2016 | CBC2016 | Inductance change : Within $\pm 25\%$ |
| LBC2518 | CBC2518 | LB3218 | | | |
| | LBC2012 | CBC2012 | | | Inductance change : Within $\pm 35\%$ |
| Test Methods and Remarks | Change of maximum inductance deviation in step 1-5 | | | | |
| | Step | Temperature ($^{\circ}\text{C}$) | | | |
| | | LB, CB Series | | | |
| | 1 | 20 | | | |
| | 2 | -40 | | | |
| | 3 | 20 (Reference temperature) | | | |
| | 4 | +85 (Maximum operating temperature) | | | |
| 5 | 20 | | | | |

| 9. Resistance to Flexure of Substrate | | |
|---------------------------------------|--|--|
| Specified Value | LB, LBC, LBR, LBMF Series | |
| | CB, CBC, CBL, CBMF Series | |
| | LBM Series | |
| Test Methods and Remarks | Warp : 2mm (LB·LBC·LBR·CB·CBC·CBL·LBM·LBMF·CBMF Series) Test substrate : Board according to JIS C0051 Thickness : 0.8mm (LB·LBMF·CBMF1608) : 1.0mm (Others) | |
| |  | |

| 10. Body Strength | | |
|--------------------------|--|--|
| Specified Value | LB, LBC, LBR, LBMF Series | |
| | CB, CBC, CBL, CBMF Series | |
| | LBM Series | |
| Test Methods and Remarks | LB·LBC·LBR·CB·CBC·CBL·LBM Applied force : 10N Duration : 10sec. LB1608·LBMF1608·CBMF1608 Applied force : 5N Duration : 10sec. | |

| 11. Adhesion of terminal electrode | | |
|------------------------------------|--|--|
| Specified Value | LB, LBC, LBR, LBMF Series | |
| | CB, CBC, CBL, CBMF Series | |
| | LBM Series | |
| Test Methods and Remarks | LB·LBC·LBR·CB·CBC·CBL·LBM·LBMF·CBMF Applied force : 10N to X and Y directions Duration : 5 sec. Test substrate : Printed board LB1608·CBMF1608·LBMF1608 Applied force : 5N to X and Y directions Duration : 5 sec. Test substrate : Printed board | |

▶ This catalog contains the typical specification only due to the limitation of space. When you consider the purchase of our products, please check our specification. For details of each product (characteristics graph, reliability information, precautions for use, and so on), see our Web site (<http://www.ty-top.com/>).

| 12. Resistance to vibration | | |
|-----------------------------|---|--|
| Specified Value | LB, LBC, LBR, LBMF Series | Inductance change : Within $\pm 10\%$ No significant abnormality in appearance. |
| | CB, CBC, CBL, CBMF Series | |
| | LBM Series | Inductance change : Within $\pm 5\%$ No significant abnormality in appearance. |
| Test Methods and Remarks | LB·LBR·LBC·CB·CBC·CBL·LBM·LBMF·CBMF : According to JIS C5102 clause 8.2. Vibration type : A Directions : 2 hrs each in X, Y and Z directions. Total: 6 hrs Frequency range : 10 to 55 to 10 Hz (1min.) Amplitude : 1.5mm Mounting method : Soldering onto printed board Recovery : At least 2 hrs of recovery under the standard condition after the test, followed by the measurement within 48 hrs. | |

| 13. Drop test | | |
|-----------------|---------------------------|---|
| Specified Value | LB, LBC, LBR, LBMF Series | — |
| | CB, CBC, CBL, CBMF Series | |
| | LBM Series | |

| 14. Solderability | | |
|--------------------------|---|---|
| Specified Value | LB, LBC, LBR, LBMF Series | At least 90% of surface of terminal electrode is covered by new |
| | CB, CBC, CBL, CBMF Series | |
| | LBM Series | |
| Test Methods and Remarks | LB·LBC·LBR·CB·CBC·CBL·LBM·LBMF·CBMF : Solder temperature : $245 \pm 5^\circ\text{C}$ Duration : $5 \pm 0.5\text{sec}$ Flux : Methanol solution with 25% of colophony | |

| 15. Resistance to soldering | | |
|-----------------------------|--|---------------------------------------|
| Specified Value | LB, LBC, LBR, LBMF Series | Inductance change : Within $\pm 10\%$ |
| | CB, CBC, CBL, CBMF Series | |
| | LBM Series | Inductance change : Within $\pm 5\%$ |
| Test Methods and Remarks | LB·LBC·LBR·CB·CBC·CBL·LBM·LBMF·CBMF : 3 times of reflow oven at 230°C MIN for 40sec. with peak temperature at 260°C for 5sec. | |

| 16. Resistance to solvent | | |
|---------------------------|---|---|
| Specified Value | LB, LBC, LBR, LBMF Series | — |
| | CB, CBC, CBL, CBMF Series | |
| | LBM Series | |
| Test Methods and Remarks | Solvent temperature : Room temperature Type of solvent : Isopropyl alcohol Cleaning conditions : 90s. Immersion and cleaning. | |

| 17. Thermal shock | | |
|--------------------------|--|--|
| Specified Value | LB, LBC, LBR, LBMF Series | Inductance change : Within $\pm 10\%$ No significant abnormality in appearance. |
| | CB, CBC, CBL, CBMF Series | |
| | LBM Series | |
| Test Methods and Remarks | LB·LBC·LBR·CB·CBC·CBL·LBM·LBMF·CBMF : $-40 \sim +85^\circ\text{C}$, maintain times 30min. ,100 cycle Recovery : At least 2 hrs of recovery under the standard condition after the test, followed by the measurement within 48 hrs. | |

| 18.Damp heat life test | | |
|--------------------------|---|--|
| Specified Value | LB, LBC, LBR, LBMF Series | Inductance change : Within $\pm 10\%$ No significant abnormality in appearance. |
| | CB, CBC, CBL, CBMF Series | |
| | LBM Series | |
| Test Methods and Remarks | Temperature : $60 \pm 2^\circ\text{C}$ Humidity : $90 \sim 95\% \text{RH}$ Duration : 1000 hrs Recovery : At least 2 hrs of recovery under the standard condition after the test, followed by the measurement within 48 hrs. | |

| 19.Loading under damp heat life test | | |
|--------------------------------------|--|--|
| Specified Value | LB, LBC, LBR, LBMF Series | Inductance change : Within $\pm 10\%$ No significant abnormality in appearance. |
| | CB, CBC, CBL, CBMF Series | |
| | LBM Series | |
| Test Methods and Remarks | Temperature : $60 \pm 2^\circ\text{C}$ Humidity : $90 \sim 95\% \text{RH}$ Duration : 1000 hrs Applied current : Rated current Recovery : At least 2 hrs of recovery under the standard condition after the test, followed by the measurement within 48 hrs. | |

| 20.High temperature life test | | |
|-------------------------------|--|--|
| Specified Value | LB, LBC, LBR, LBMF Series | — |
| | CB, CBC, CBL, CBMF Series | Inductance change : Within $\pm 10\%$ No significant abnormality in appearance. |
| | LBM Series | |
| Test Methods and Remarks | Temperature : $85 \pm 2^\circ\text{C}$ Duration : 1000 hrs Recovery : At least 2 hrs of recovery under the standard condition after the test, followed by the measurement within 48 hrs. | |

| 21.Loading at high temperature life test | | |
|--|---|---|
| Specified Value | LB, LBC, LBR, LBMF Series | Inductance change : Within $\pm 10\%$ (LBC3225 Series : Within $\pm 20\%$) No significant abnormality in appearance. |
| | CB, CBC, CBL, CBMF Series | |
| | LBM Series | — |
| Test Methods and Remarks | Temperature : $85 \pm 2^\circ\text{C}$ Duration : 1000 hrs Applied current : Rated current Recovery : At least 2 hrs of recovery under the standard condition after the test, followed by the measurement within 48 hrs. | |

| 22.Low temperature life test | | |
|------------------------------|---|--|
| Specified Value | LB, LBC, LBR, LBMF Series | Inductance change : Within $\pm 10\%$ No significant abnormality in appearance. |
| | CB, CBC, CBL, CBMF Series | |
| | LBM Series | |
| Test Methods and Remarks | Temperature : $-40 \pm 2^\circ\text{C}$ Duration : 1000 hrs Recovery : At least 2 hrs of recovery under the standard condition after the test, followed by the measurement within 48 hrs. | |

| 23.Standard condition | | |
|-----------------------|---------------------------|---|
| Specified Value | LB, LBC, LBR, LBMF Series | Standard test conditions Unless specified, Ambient temperature is $20 \pm 15^\circ\text{C}$ and the Relative humidity is $65 \pm 20\%$. If there is any doubt about the test results, further measurement shall be had within the following limits: Ambient Temperature: $20 \pm 2^\circ\text{C}$ Relative humidity: $65 \pm 5\%$ Inductance value is based on our standard measurement systems. |
| | CB, CBC, CBL, CBMF Series | |
| | LBM Series | |

▶ This catalog contains the typical specification only due to the limitation of space. When you consider the purchase of our products, please check our specification.
For details of each product (characteristics graph, reliability information, precautions for use, and so on), see our Web site (<http://www.ty-top.com/>).

WIRE-WOUND CHIP INDUCTORS (LB SERIES), WIRE-WOUND CHIP POWER INDUCTORS (CB SERIES), WIRE-WOUND CHIP INDUCTORS FOR SIGNAL LINES (LB SERIES M TYPE)

■ PRECAUTIONS

| 1. Circuit Design | |
|---|---|
| Precautions | <p>◆Operating environment</p> <p>1. The products described in this specification are intended for use in general electronic equipment, (office supply equipment, telecommunications systems, measuring equipment, and household equipment). They are not intended for use in mission-critical equipment or systems requiring special quality and high reliability (traffic systems, safety equipment, aerospace systems, nuclear control systems and medical equipment including life-support systems,) where product failure might result in loss of life, injury or damage. For such uses, contact TAIYO YUDEN Sales Department in advance.</p> |
| 2. PCB Design | |
| Precautions | <p>◆Land pattern design</p> <p>1. Please contact any of our offices for a land pattern, and refer to a recommended land pattern of a right figure or specifications.</p> |
| Technical considerations | <p>PRECAUTIONS 【Recommended Land Patterns】</p> <p>Surface Mounting</p> <ul style="list-style-type: none"> • Mounting and soldering conditions should be checked beforehand. • Applicable soldering process to those products is reflow soldering only. |
| 3. Considerations for automatic placement | |
| Precautions | <p>◆Adjustment of mounting machine</p> <p>1. Excessive impact load should not be imposed on the products when mounting onto the PC boards.</p> <p>2. Mounting and soldering conditions should be checked beforehand.</p> |
| Technical considerations | <p>1. When installing products, care should be taken not to apply distortion stress as it may deform the products.</p> |
| 4. Soldering | |
| Precautions | <p>◆Reflow soldering(LB and CB Types)</p> <p>1. For reflow soldering with either leaded or lead-free solder, the profile specified in "point for controlling" is recommended.</p> <p>◆Recommended conditions for using a soldering iron</p> <p>1. Put the soldering iron on the land-pattern. Soldering iron's temperature - Below 350°C Duration-3 seconds or less. The soldering iron should not come in contact with inductor directly.</p> |
| Technical considerations | <p>◆Reflow soldering(LB and CB Types)</p> <p>1. Reflow profile</p> <p>Temperature [°C]</p> <p>Heating Time [sec]</p> <p>150~180</p> <p>90±30sec</p> <p>30±10sec</p> <p>230°C min</p> <p>5sec max</p> <p>Peak: 260+0/-5°C</p> <p>◆Recommended conditions for using a soldering iron</p> <p>1. Components can be damaged by excessive heat where soldering conditions exceed the specified range.</p> |
| 5. Cleaning | |
| Precautions | <p>◆Cleaning conditions</p> <p>Washing by supersonic waves shall be avoided.</p> |
| Technical considerations | <p>◆Cleaning conditions</p> <p>If washed by supersonic waves, the products might be broken.</p> |

| 6. Handling | |
|--------------------------|---|
| Precautions | <ul style="list-style-type: none"> ◆ Handling <ol style="list-style-type: none"> 1. Keep the inductors away from all magnets and magnetic objects. ◆ Breakaway PC boards (splitting along perforations) <ol style="list-style-type: none"> 1. When splitting the PC board after mounting inductors, care should be taken not to give any stresses of deflection or twisting to the board. 2. Board separation should not be done manually, but by using the appropriate devices. ◆ Mechanical considerations <ol style="list-style-type: none"> 1. Please do not give the inductors any excessive mechanical shocks. |
| Technical considerations | <ul style="list-style-type: none"> ◆ Handling <ol style="list-style-type: none"> 1. There is a case that a characteristic varies with magnetic influence. ◆ Breakaway PC boards (splitting along perforations) <ol style="list-style-type: none"> 1. Planning pattern configurations and the position of products should be carefully performed to minimize stress. ◆ Mechanical considerations <ol style="list-style-type: none"> 1. There is a case to be damaged by a mechanical shock. |
| 7. Storage conditions | |
| Precautions | <ul style="list-style-type: none"> ◆ Storage <ol style="list-style-type: none"> 1. To maintain the solderability of terminal electrodes and to keep the packing material in good condition, temperature and humidity in the storage area should be controlled. <ul style="list-style-type: none"> • Recommended conditions <p>Ambient temperature: 0~40°C / Humidity: Below 70% RH</p> <p>The ambient temperature must be kept below 30°C even under ideal storage conditions, solderability of products electrodes may decrease as time passes. For this reason, LB type: Should be used within 6 months from the time of delivery.</p> |
| Technical considerations | <ul style="list-style-type: none"> ◆ Storage <ol style="list-style-type: none"> 1. Under a high temperature and humidity environment, problems such as reduced solderability caused by oxidation of terminal electrodes and deterioration of taping/packaging materials may take place. |