

Bat Handle Toggle



Features

- Neoprene Seal Toggle (54-456 thru 54-459, 54-659 ONLY)
- Slow Make, Slow Break Contacts
- AC Rated, Suitable for Low Voltage DC Also
- Standard .500" Dia Mounting Hole
- Various Terminal Selections



NTE Type No.	Circuitry	Action			Actuator	Diag No.
54-001	SPST	ON	NONE	(OFF)	Brass/Nickel Plate	S1c
54-002	SPDT	(ON)	OFF	(ON)	Brass/Nickel Plate	S1c
54-006	SPST	ON	NONE	OFF	Brass/Nickel Plate	S1a
54-007	SPST	ON	NONE	OFF	Brass/Nickel Plate	S1b
54-008	SPST	ON	NONE	OFF	Brass/Nickel Plate	S1c
54-009	SPDT	ON	OFF	ON	Brass/Nickel Plate	S1b
54-010	SPDT	ON	OFF	ON	Brass/Nickel Plate	S1c
54-023	SPST	ON	NONE	OFF	Brass/Nickel Plate	S1d
54-024	SPDT	ON	NONE	ON	Brass/Nickel Plate	S1d
54-025	SPDT	ON	OFF	ON	Brass/Nickel Plate	S1d
54-456*	SPST	ON	NONE	OFF	Brass/Nickel Plate	S1c
54-457*	SPST	(ON)	NONE	OFF	Brass/Nickel Plate	S1c
54-458*	SPST	ON	NONE	OFF	Brass/Nickel Plate	S1b
54-459*	SPDT	ON	OFF	ON	Brass/Nickel Plate	S1b
54-659*	SPDT	(ON)	OFF	(ON)	Brass/Nickel Plate	S1b

SPECIAL NOTE: () = Momentary Function
 * Neoprene Seal Toggle

Bat Handle Toggle



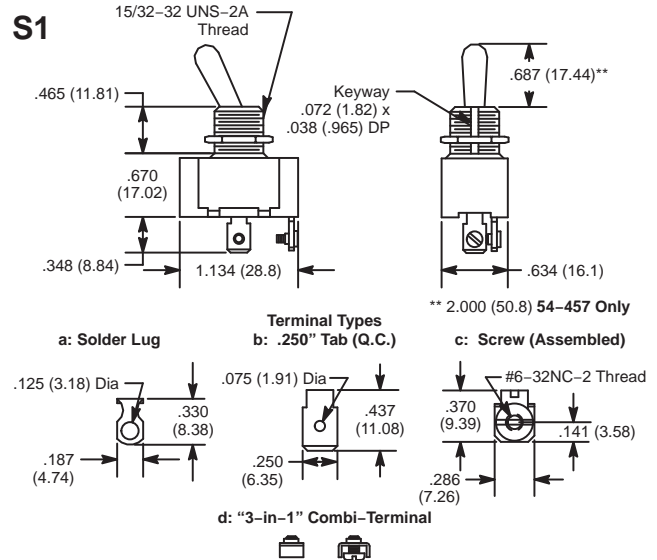
Features

- Quick Make, Quick Break Wiping Action
- 6" Wire Leads
- Brass or Plastic Actuator



NTE Type No.	Circuitry	Action			Actuator	Diag No.
54-130	SPST	OFF	NONE	ON	Brass/Nickel Plate	S36
54-131	SPST	OFF	NONE	ON	Plastic	S36

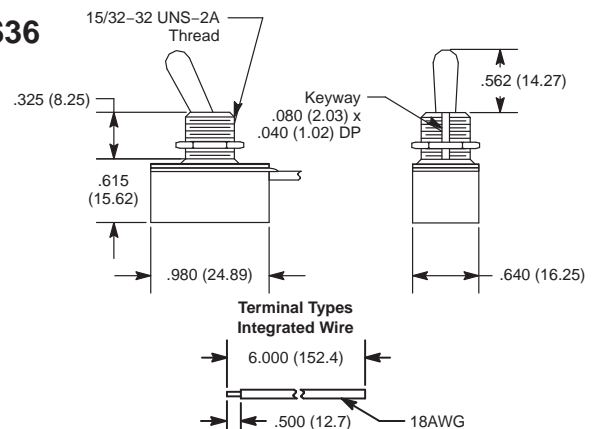
S1



Specifications

Current Rating: 15A 125VAC, 10A 250VAC, 3/4 HP 125-250VAC
Insulation Resistance: 100 Megohms (min.)
Dielectric Strength: 1000V RMS (min.)
Temperature Rating: 0° to +150°F (-17.8° to +65.6°C)
Electrical Life: 50,000 cycles maintained, 25,000 cycles momentary
Mechanical Life: 100,000 cycles
Terminal Type: Refer to Diag No. in Table
Mounting Hole: .500 (12.7)

S36



Specifications

Current Rating: 10A 250VAC, 8A 125VDC, 4A 250VDC, 1/3 HP 125VAC
Dielectric Strength: 1000V RMS (min.)
Temperature Rating: +149°F (+65°C) Max
Electrical Life: 25,000 cycles Min
Mechanical Life: 100,000 cycles
Terminal Type: Integrated Wire
Mounting Hole: .500 (12.7)

Bat Handle Toggle

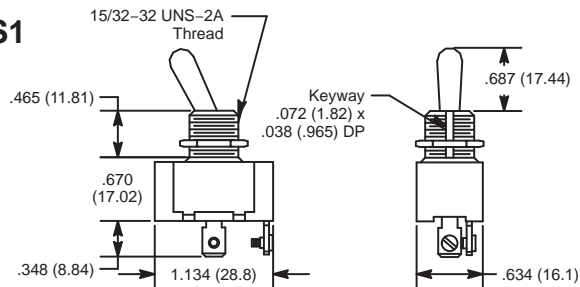


Features

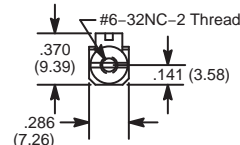
- Slow Make, Slow Break Contacts
- AC Rated, Suitable for Low Voltage DC Also
- Standard .500" Dia Mounting Hole
- Screw Mount Terminals



S1



Terminal Types
c: Screw (Assembled)



NTE Type No.	Circuitry	Action			Actuator	Diag No.
54-094	SPST	(ON)	NONE	OFF	Brass/Nickel Plate	S1c
54-096	SPDT	ON	NONE	ON	Brass/Nickel Plate	S1c
54-097	SPDT	ON	NONE	(ON)	Brass/Nickel Plate	S1c
54-143	SPST	ON	NONE	OFF	Brass/Nickel Plate	S1c

SPECIAL NOTE: () = Momentary Function

Specifications

Current Rating: 6A 125VAC, 3A 250VAC, 1/4 HP 120-240VAC
Insulation Resistance: 100 Megohms (min.)
Dielectric Strength: 1000V RMS (min.)
Temperature Rating: 0° to +150°F (-17.8° to +65.6°C)
Electrical Life: 50,000 cycles
Mechanical Life: 100,000 cycles
Terminal Type: Screw Type
Mounting Hole: .500 (12.7)

Bat Handle Toggle

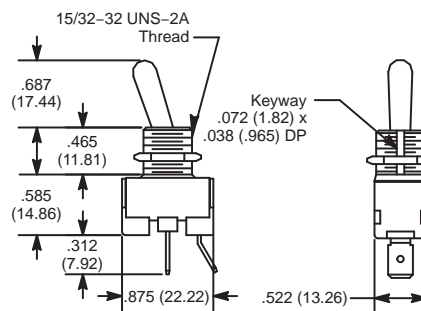


Features

- AC Rated, General Purpose
- Industry Standard .500" Dia Mounting Hole
- .250" Quick Connect Terminals

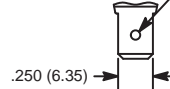


S3



Terminal Types

b: .250" Tab (Q.C.)
.075 (1.9) Dia



NTE Type No.	Circuitry	Action			Actuator	Diag No.
54-005	SPST	ON	NONE	OFF	Brass/Nickel Plate	S3b
54-098	SPDT	ON	NONE	ON	Brass/Nickel Plate	S3b

Specifications

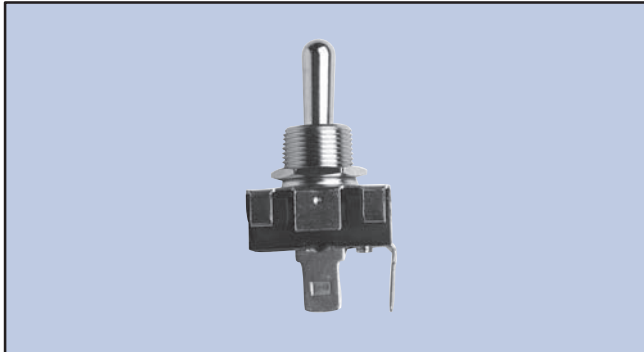
Current Rating:
54-005: 20A 125VAC, 10A 250VAC, 1 1/2 HP 125-250VAC
54-098: 10A 125VAC, 5A 250VAC, 1/2 HP 125-250VAC
Insulation Resistance: 100 Megohms (min.)
Dielectric Strength: 1000V RMS (min.)
Temperature Rating: +32° to +185°F (0° to +85°C)
Electrical Life: 25,000 cycles
Mechanical Life: 100,000 cycles
Terminal Type: .250" Tab Q.C.
Mounting Hole: .500 (12.7)

Bat Handle Toggle

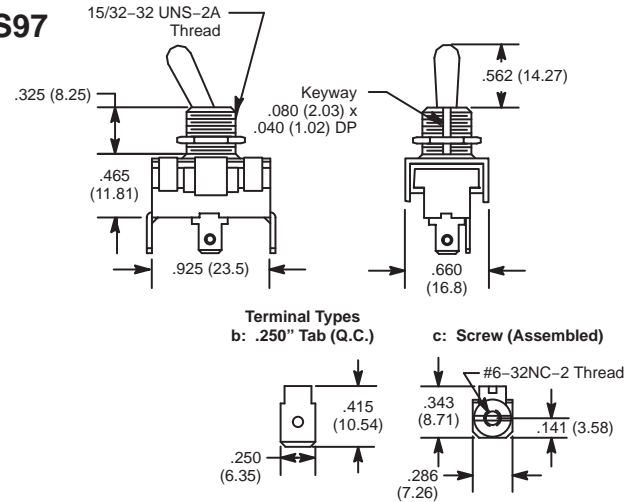


Features

- Slow-Make/Slow-Break Butt Contact
- 1 HP, 125-250VAC



S97



NTE Type No.	Circuitry	Action			Actuator	Diag No.
54-579	SPST	ON	NONE	OFF	Nickel Plated Brass	S97b
54-580	SPST	(ON)	NONE	OFF	Nickel Plated Brass	S97b
54-581	SPST	ON	NONE	(OFF)	Nickel Plated Brass	S97b
54-582	SPDT	ON	NONE	ON	Nickel Plated Brass	S97b
54-583	SPDT	ON	OFF	ON	Nickel Plated Brass	S97b
54-584	SPDT	(ON)	NONE	ON	Nickel Plated Brass	S97b
54-585	SPDT	(ON)	OFF	ON	Nickel Plated Brass	S97b
54-586	SPDT	(ON)	OFF	(ON)	Nickel Plated Brass	S97b
54-593	SPST	ON	NONE	OFF	Nickel Plated Brass	S97c
54-594	SPST	(ON)	NONE	OFF	Nickel Plated Brass	S97c
54-595	SPST	ON	NONE	(OFF)	Nickel Plated Brass	S97c
54-596	SPDT	ON	NONE	ON	Nickel Plated Brass	S97c
54-597	SPDT	ON	OFF	ON	Nickel Plated Brass	S97c
54-598	SPDT	(ON)	NONE	ON	Nickel Plated Brass	S97c
54-599	SPDT	(ON)	OFF	ON	Nickel Plated Brass	S97c
54-600	SPDT	(ON)	OFF	(ON)	Nickel Plated Brass	S97c

SPECIAL NOTE: () = Momentary Function

Specifications

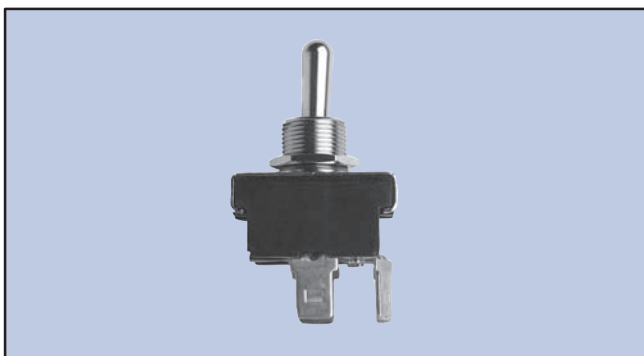
- Current Rating:** 20A 125VAC, 10A 250VAC, 1 HP 125-250VAC
- Insulation Resistance:** 10⁹ ohms (min.)
- Dielectric Strength:** 1500V RMS (min.)
- Temperature Rating:** +14° to +149°F (-10° to +65°C)
- Electrical Life:** 10,000 cycles (min.) at full load
- Mechanical Life:** 30,000 cycles (min.)
- Terminal Type:** Refer to Diag. No. in Table
- Mounting Hole:** .500 (12.7)

Bat Handle Toggle

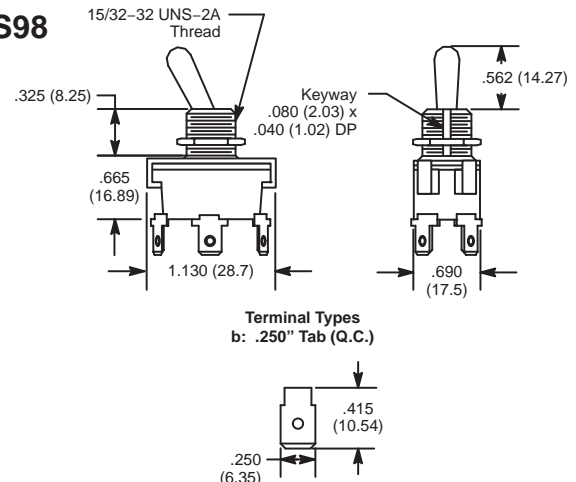


Features

- Slow-Make/Slow-Break Butt Contact
- 1 HP, 125-250VAC



S98



NTE Type No.	Circuitry	Action			Actuator	Diag No.
54-590	DPST	ON	NONE	OFF	Nickel Plated Brass	S98b
54-591	DPDT	ON	NONE	ON	Nickel Plated Brass	S98b
54-592	DPDT	ON	OFF	ON	Nickel Plated Brass	S98b

Specifications

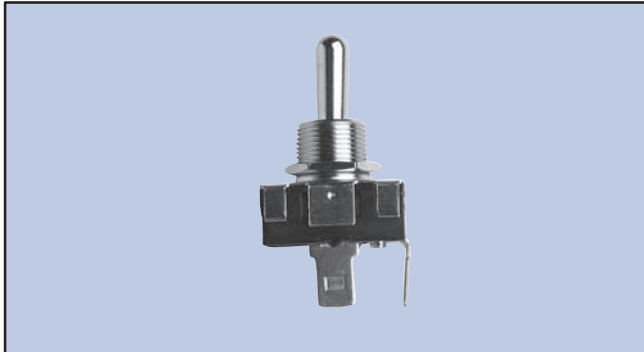
- Current Rating:** 20A 125VAC, 10A 250VAC, 1 HP 125-250VAC
- Insulation Resistance:** 10⁹ ohms (min.)
- Dielectric Strength:** 1500V RMS (min.)
- Temperature Rating:** +14° to +149°F (-10° to +65°C)
- Electrical Life:** 10,000 cycles (min.) at full load
- Mechanical Life:** 30,000 cycles (min.)
- Terminal Type:** .250" Tab Q.C.
- Mounting Hole:** .500 (12.7)

Bat Handle Toggle

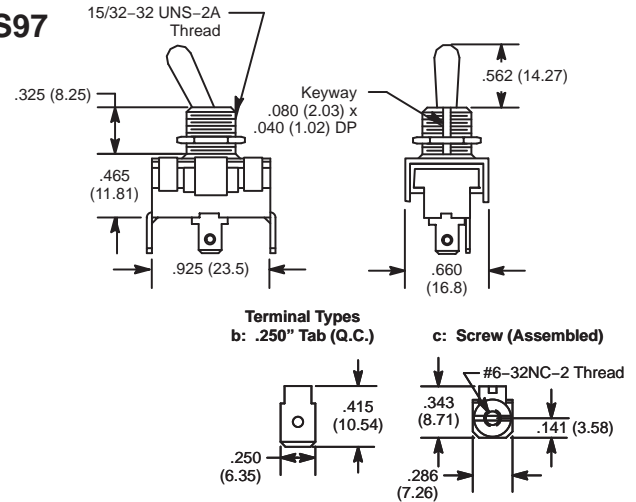


Features

- Slow-Make/Slow-Break Butt Contact
- 3/4 HP, 125–250VAC



S97



NTE Type No.	Circuitry	Action			Actuator	Diag No.
54–610	SPST	ON	NONE	OFF	Nickel Plated Brass	S97c
54–611	SPST	(ON)	NONE	OFF	Nickel Plated Brass	S97c
54–612	SPST	ON	NONE	(OFF)	Nickel Plated Brass	S97c
54–613	SPDT	ON	NONE	ON	Nickel Plated Brass	S97c
54–614	SPDT	ON	OFF	ON	Nickel Plated Brass	S97c
54–615	SPDT	(ON)	NONE	ON	Nickel Plated Brass	S97c
54–616	SPDT	(ON)	OFF	ON	Nickel Plated Brass	S97c
54–617	SPDT	(ON)	OFF	(ON)	Nickel Plated Brass	S97c
54–619	SPST	ON	NONE	OFF	Nickel Plated Brass	S97b
54–620	SPST	(ON)	NONE	OFF	Nickel Plated Brass	S97b
54–621	SPST	ON	NONE	(OFF)	Nickel Plated Brass	S97b
54–622	SPDT	ON	NONE	ON	Nickel Plated Brass	S97b
54–623	SPDT	ON	OFF	ON	Nickel Plated Brass	S97b
54–624	SPDT	(ON)	NONE	ON	Nickel Plated Brass	S97b
54–625	SPDT	(ON)	OFF	ON	Nickel Plated Brass	S97b
54–626	SPDT	(ON)	OFF	(ON)	Nickel Plated Brass	S97b

SPECIAL NOTE: () = Momentary Function

Specifications

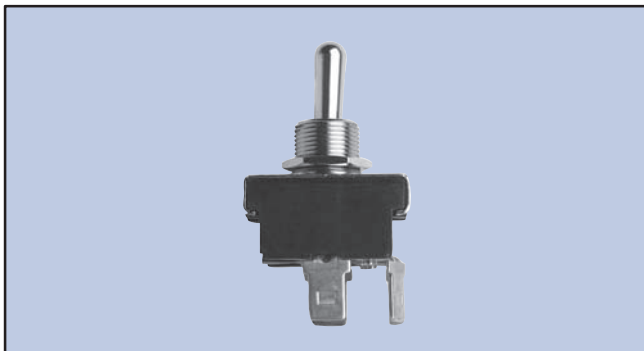
Current Rating: 20A 125VAC, 10A 250VAC, 3/4 HP 125–250VAC
Insulation Resistance: 10⁹ ohms (min.)
Dielectric Strength: 1000V RMS (min.)
Temperature Rating: +14° to +149°F (–10° to +65°C)
Electrical Life: 10,000 cycles (min.) at full load
Mechanical Life: 30,000 cycles (min.)
Terminal Type: Refer to Diag. No. in Table
Mounting Hole: .500 (12.7)

Bat Handle Toggle

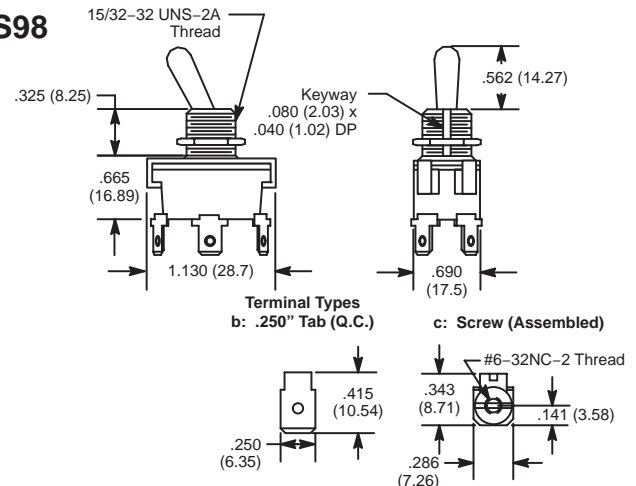


Features

- Slow-Make/Slow-Break Butt Contact
- 3/4 HP, 125–250VAC



S98



NTE Type No.	Circuitry	Action			Actuator	Diag No.
54–602	DPST	ON	NONE	OFF	Nickel Plated Brass	S98c
54–603	DPDT	ON	NONE	ON	Nickel Plated Brass	S98c
54–604	DPDT	ON	OFF	ON	Nickel Plated Brass	S98c
54–606	DPST	ON	NONE	OFF	Nickel Plated Brass	S98b
54–607	DPDT	ON	NONE	ON	Nickel Plated Brass	S98b
54–608	DPDT	ON	OFF	ON	Nickel Plated Brass	S98b

Specifications

Current Rating: 20A 125VAC, 10A 250VAC, 3/4 HP 125–250VAC
Insulation Resistance: 10⁹ ohms (min.)
Dielectric Strength: 1000V RMS (min.)
Temperature Rating: +14° to +149°F (–10° to +65°C)
Electrical Life: 10,000 cycles (min.) at full load
Mechanical Life: 30,000 cycles (min.)
Terminal Type: Refer to Diag. No. in Table
Mounting Hole: .500 (12.7)

Bat Handle Toggle



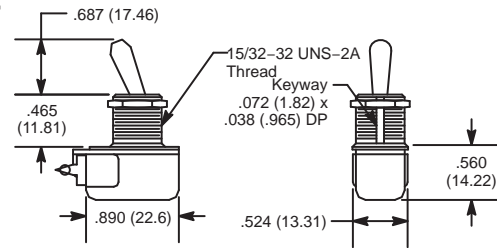
Features

- Quick Make, Quick Break Contacts
- AC/DC Shallow Back Panel Applications
- Standard .500" Dia Mounting Hole



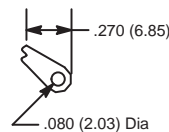
NTE Type No.	Circuitry	Action			Actuator	Diag No.
54-070	SPST	ON	NONE	OFF	Brass/Nickel Plate	S14a
54-071	SPST	ON	NONE	OFF	Brass/Nickel Plate	S14c

S14

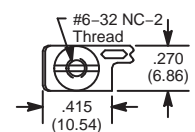


Terminal Types

a: Solder Lug (End)



c: Screw (Assembled)



Specifications

Current Rating: 6A 125VAC, 3A 250VAC, AC/DC
Insulation Resistance: 100 Megohms (min.)
Dielectric Strength: 1000V RMS (min.)
Temperature Rating: 0° to +150°F (-17.8° to +65.6°C)
Electrical Life: 25,000 cycles
Mechanical Life: 15,000 cycles
Terminal Type: Refer to Diag No. in Table
Mounting Hole: .500 (12.7)

Bat Handle Toggle



Features

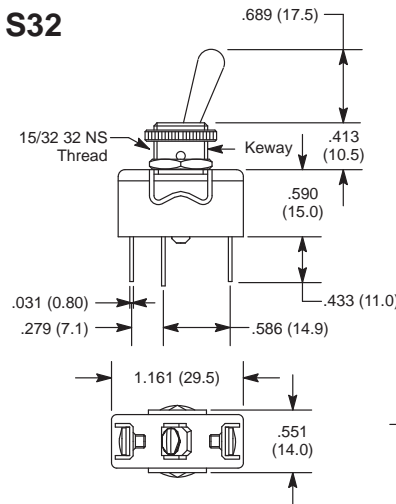
- Waterproof Types Available on Page 18



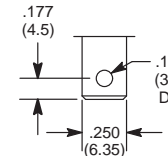
NTE Type No.	Circuitry	Action			Actuator	Diag No.
54-348	SPST	ON	NONE	OFF	Nickel Plated Brass	S32a
54-349	SPDT	ON	NONE	ON	Nickel Plated Brass	S32a
54-350	SPDT	ON	OFF	ON	Nickel Plated Brass	S32a
54-351	SPDT	(ON)	NONE	ON	Nickel Plated Brass	S32a
54-352	SPDT	(ON)	OFF	(ON)	Nickel Plated Brass	S32a
54-353	SPDT	ON	OFF	(ON)	Nickel Plated Brass	S32a
54-354	SPST	ON	NONE	OFF	Nickel Plated Brass	S32c
54-355	SPDT	ON	NONE	ON	Nickel Plated Brass	S32c
54-356	SPDT	ON	OFF	ON	Nickel Plated Brass	S32c
54-357	SPDT	(ON)	NONE	ON	Nickel Plated Brass	S32c
54-358	SPDT	(ON)	OFF	(ON)	Nickel Plated Brass	S32c
54-359	SPDT	ON	OFF	(ON)	Nickel Plated Brass	S32c

SPECIAL NOTE: () = Momentary Function

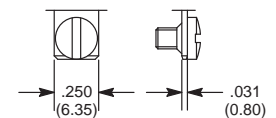
S32



a: Solder Lug/Quick Connect



c: Screw (Assembled)



Specifications

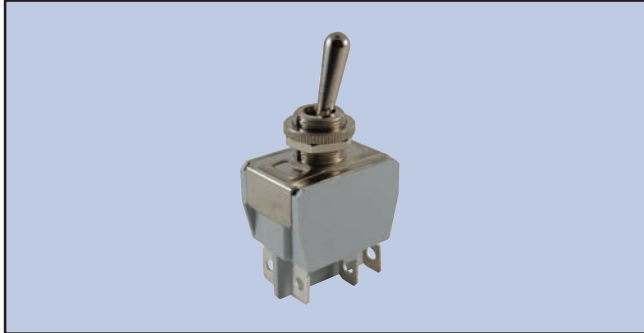
Current Rating:
Functions ON-OFF and ON-ON: 15A 250VAC or 10A 24VDC
Functions ON OFF ON: 15A 250VAC
Other Functions: 15A 125VAC, 12A 250VAC or 5A 25VDC
Insulation Resistance: 1000 Megohms (min.) at 500VDC
Dielectric Strength: 2000V RMS (min.) between terminals
Temperature Rating: -4° to +131°F (-20° to +55°C)
Electrical Life: 10,000 cycles (min.) at full load
Terminal Type: Refer to Diag No. in Table
Mounting Hole: .480 (12.2)

Bat Handle Toggle



Features

- Waterproof Types Available on Page 18



NTE Type No.	Circuitry	Current Rating	Action			Actuator	Diag No.
54-360	DPDT	A	ON	NONE	ON	Brass/Nickel Plate	S33a
54-361#	SP3T	C	ON	ON	ON	Brass/Nickel Plate	S33a
54-362*#	SP3T	C	ON	ON	ON	Brass/Nickel Plate	S33a
54-363#	DPDT	C	(ON)	NONE	ON	Brass/Nickel Plate	S33a
54-364#	DPDT	C	(ON)	OFF	(ON)	Brass/Nickel Plate	S33a
54-365#	DPDT	C	ON	OFF	(ON)	Brass/Nickel Plate	S33a
54-366	DPST	A	ON	NONE	OFF	Brass/Nickel Plate	S33a
54-367	DPST	A	ON	NONE	OFF	Brass/Nickel Plate	S33c
54-369##	DPDT	A	ON	NONE	ON	Brass/Nickel Plate	S33c
54-370#	DPDT	B	ON	OFF	ON	Brass/Nickel Plate	S33c
54-371*#	SP3T	C	ON	ON	ON	Brass/Nickel Plate	S33c
54-372#	DPDT	C	(ON)	NONE	ON	Brass/Nickel Plate	S33c
54-373##	DPDT	C	(ON)	OFF	(ON)	Brass/Nickel Plate	S33c
54-374##	DPDT	C	ON	OFF	(ON)	Brass/Nickel Plate	S33c

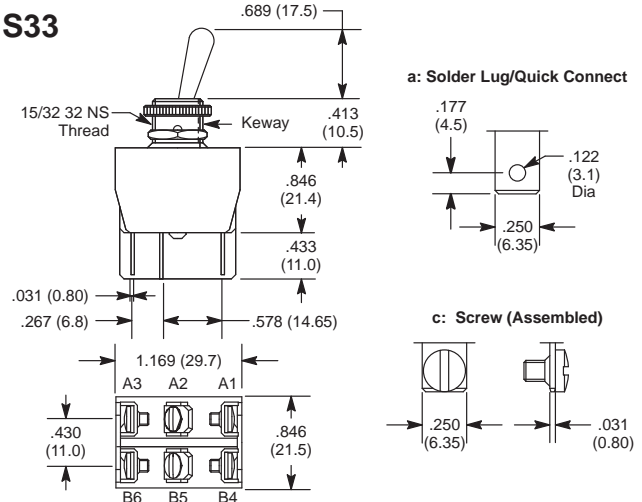
SPECIAL NOTE: () = Momentary Function

* SP in DP case.

UL for 10 Amp ONLY

UL for 12 Amp ONLY

S33



Specifications

Current Rating:

A: 15A 250VAC or 10A 24VDC, 15A 12VDC

B: 15A 250VAC,

C: 15A 125VAC, 12A 250VAC or 5A 25VDC

Insulation Resistance: 1000 Megohms (min.) at 500VDC

Dielectric Strength: 2000V RMS (min.) between terminals

Temperature Rating: -4° to +131°F (-20° to +55°C)

Electrical Life: 10,000 cycles (min.) at full load

Terminal Type: Refer to Diag No. in Table

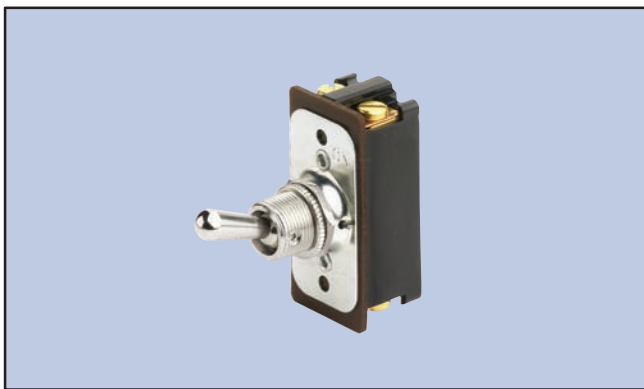
Mounting Hole: .480 (12.2)

Bat Handle Toggle



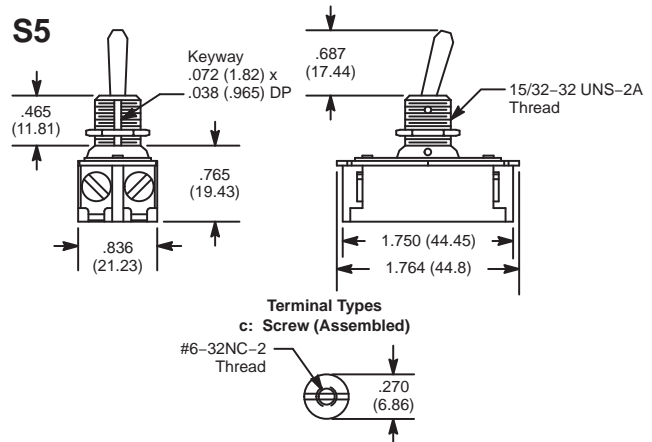
Features

- Quick Make, Quick Break Contacts
- Suitable for High Amperage AC/DC Motor Control
- Screw Terminals



NTE Type No.	Circuitry	Action			Actuator	Diag No.
54-055	DPST	ON	NONE	OFF	Brass/Nickel Plate	S5c
54-056	SPST	ON	NONE	OFF	Brass/Nickel Plate	S5c

S5



Specifications

Current Rating: 16A 125VAC, 8A 250VAC, 1 HP 125-250VAC

Insulation Resistance: 100 Megohms (min.)

Dielectric Strength: 1000V RMS (min.)

Temperature Rating: 0° to +150°F (-17.8° to +65.6°C)

Electrical Life: 25,000 cycles

Mechanical Life: 100,000 cycles

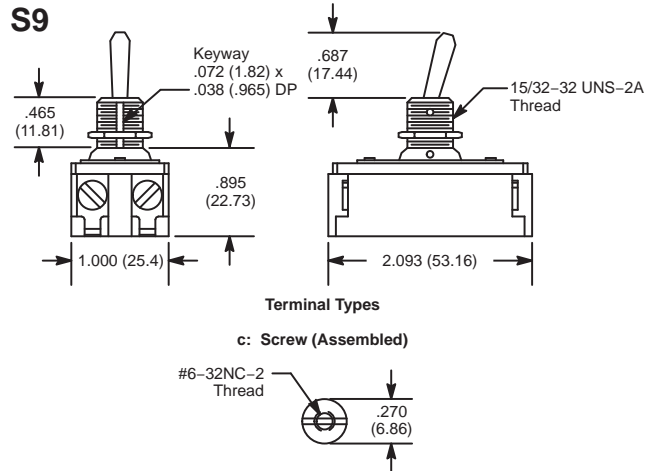
Terminal Type: Screw Type

Mounting Hole: .500 (12.7)

Bat Handle Toggle



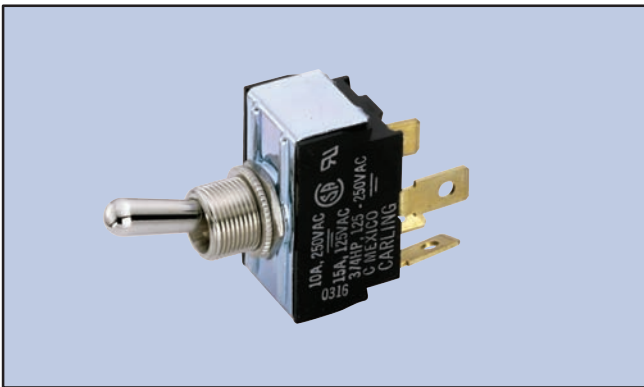
NTE Type No.	Circuitry	Action			Actuator	Diag No.
54-057	DPST	ON	NONE	OFF	Brass/Nickel Plate	S9



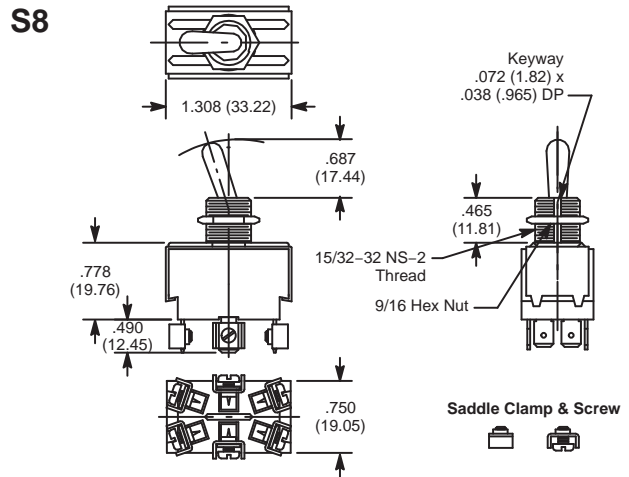
Specifications

Current Rating: 20A 125VAC, 10A 250VAC, 1 1/2 HP 125-250VAC
Insulation Resistance: 100 Megohms (min.)
Dielectric Strength: 1000V RMS (min.)
Temperature Rating: 0°F to +150°F (-17.8°C to +65.6°C)
Electrical Life: 25,000 cycles
Mechanical Life: 100,000 cycles
Terminal Type: Screw Type
Mounting Hole: .500 (12.7)

Bat Handle Toggle



NTE Type No.	Circuitry	Action			Actuator	Diag No.
54-026	DPST	ON	NONE	OFF	Brass/Nickel Plate	S8
54-027	DPDT	ON	NONE	ON	Brass/Nickel Plate	S8
54-028	DPDT	ON	OFF	ON	Brass/Nickel Plate	S8



Specifications

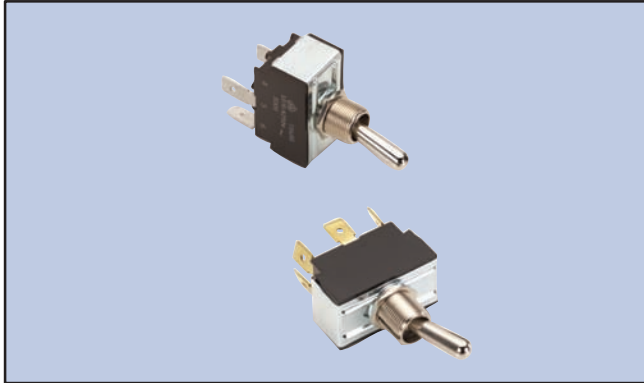
Current Rating: 15A 125VAC, 10A 250VAC, 3/4 HP 125-250VAC
Insulation Resistance: 100 Megohms (min.)
Dielectric Strength: 1000V RMS (min.)
Temperature Rating: +32°F to +185°F (0°C to +85°C)
Electrical Life: 50,000 cycles
Mechanical Life: 100,000 cycles
Terminal Type: "3-in-1" Combi-Terminal
Mounting Hole: .500 (12.7)

Bat Handle Toggle



Features

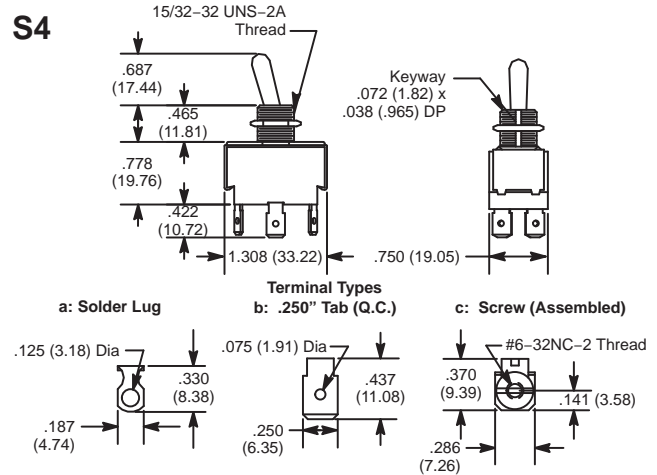
- Slow Make, Slow Break Contacts
- Heavy Duty AC Rated Also Suitable for Low Voltage DC Applications
- Industry Standard .500" Dia Mounting Hole
- Various Terminal Selections



NTE Type No.	Circuitry	Current Rating	Action			Actuator	Diag No.
54-003	DPDT	A	ON	NONE	ON	Brass/Nickel Plate	S4b
54-004	DPST	A	ON	NONE	OFF	Brass/Nickel Plate	S4b
54-011	DPST	A	ON	NONE	OFF	Brass/Nickel Plate	S4c
54-012	DPDT	A	ON	OFF	ON	Brass/Nickel Plate	S4b
54-013	DPDT	A	ON	OFF	ON	Brass/Nickel Plate	S4c
54-093	SPST	B	ON	NONE	OFF	Brass/Nickel Plate	S4c
54-095	SPDT	B	ON	OFF	ON	Brass/Nickel Plate	S4c
54-099	DPDT	B	ON	NONE	ON	Brass/Nickel Plate	S4c
54-100	DPDT	B	ON	OFF	ON	Brass/Nickel Plate	S4c
54-101	DPDT	C	ON	NONE	(ON)	Brass/Nickel Plate	S4a
54-103	SPST	A	(ON)	NONE	OFF	Brass/Nickel Plate	S4c
54-104	SPST	A	ON	NONE	(OFF)	Brass/Nickel Plate	S4c
54-137*	SPST	D	ON	NONE	OFF	Brass/Nickel Plate	S4a

SPECIAL NOTE: () = Momentary Function
 * SP in DP case.

S4



Specifications

Current Rating:

- A: 15A 125VAC, 10A 250VAC, 3/4 HP 125-250VAC
- B: 20A 125-277VAC, 1 1/2 HP 125VAC, 2 HP 250VAC
- C: 6A 125VAC, 3A 250VAC, 1/4HP 125-250VAC
- D: 20A 250VAC

Insulation Resistance: 100 Megohms (min.)

Dielectric Strength: 1000V RMS (min.)

Temperature Rating: +32° to +185°F (0° to +85°C)

Electrical Life: 25,000 cycles

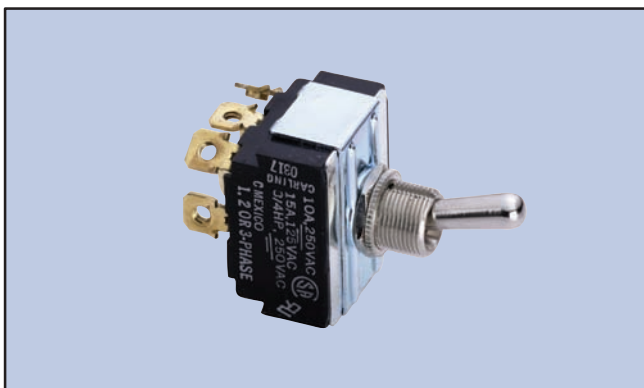
Mechanical Life: 100,000 cycles

Terminal Type: Refer to Diag No. in Table

Mounting Hole: .500 (12.7)

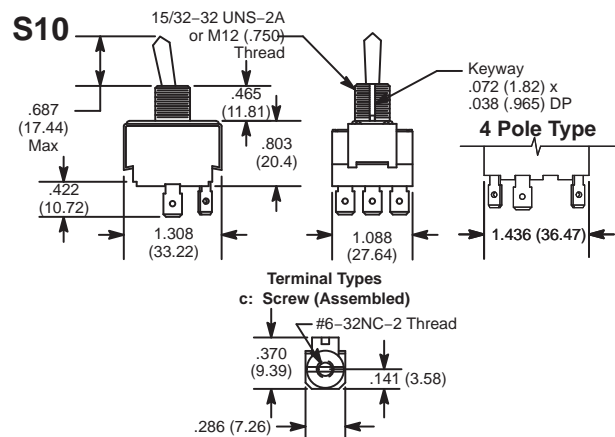


Bat Handle Toggle



NTE Type No.	Circuitry	Action			Actuator	Diag No.
54-014	3PST	OFF	NONE	ON	Brass/Nickel Plate	S10c
54-015	3PDT	ON	OFF	ON	Brass/Nickel Plate	S10c
54-016	3PDT	ON	NONE	ON	Brass/Nickel Plate	S10c
54-017	4PDT	ON	OFF	ON	Brass/Nickel Plate	S10c
54-018	4PST	OFF	NONE	ON	Brass/Nickel Plate	S10c
54-019	4PDT	ON	NONE	ON	Brass/Nickel Plate	S10c

S10



Specifications

Current Rating: 15A 125VAC, 10A 250VAC, 3/4 HP 125-250VAC, 1, 2 or 3 Phase

Insulation Resistance: 100 Megohms (min.)

Dielectric Strength: 1000V RMS (min.)

Temperature Rating: 0° to +150°F (-17.8° to +65.6°C)

Electrical Life: 50,000 cycles

Mechanical Life: 100,000 cycles

Terminal Type: Screw Type

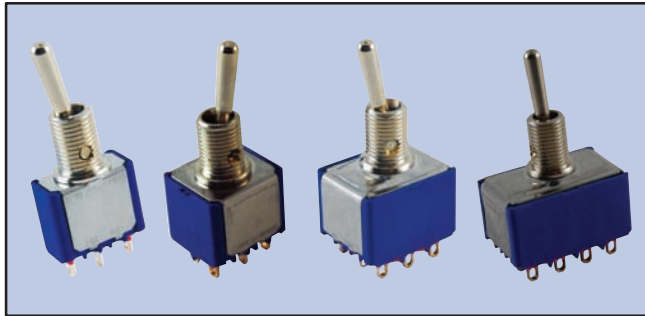
Mounting Hole: .500 (12.7) Max.

Bat Handle Mini Toggle

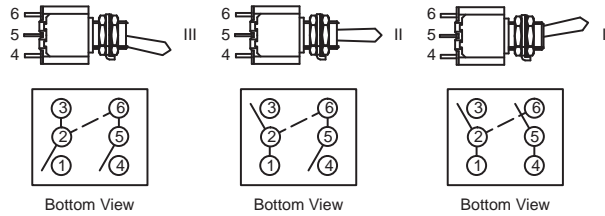


Features

- SP, DP, 3P & 4P Types
- Epoxy Sealed Terminals
- Typical Applications Include: Switching Power Supplies, DC-DC Converters, Motors, etc.



Wiring Diagram (54-306 Only)



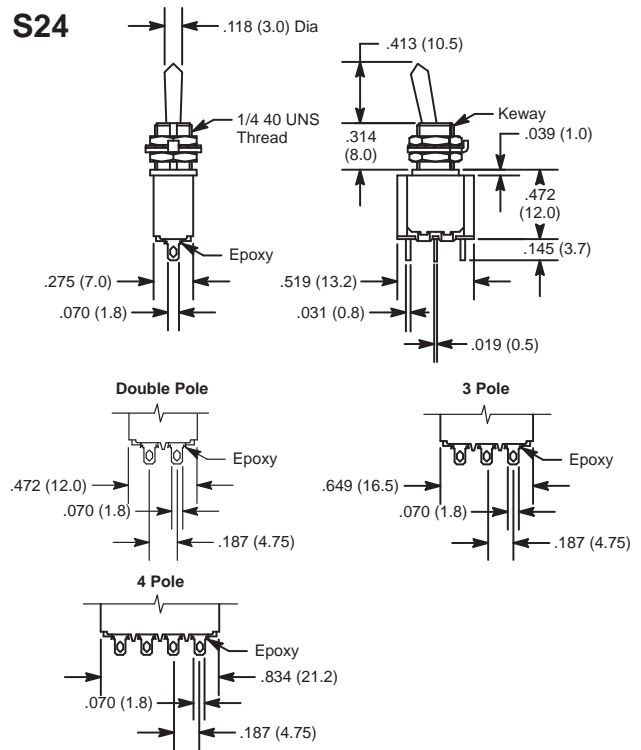
Equivalent to single pole 3 throw switch. Dotted line between terminals 2 & 6 indicate external jumpers to be added by customer.

NTE Type No.	Circuitry	Action			Actuator	Diag No.
54-301	SPDT	ON	NONE	(ON)	Chrome Plated Brass	S24
54-302	SPDT	ON	NONE	ON	Chrome Plated Brass	S24
54-303	SPDT	ON	OFF	ON	Chrome Plated Brass	S24
54-304	SPDT	ON	OFF	(ON)	Chrome Plated Brass	S24
54-305	SPDT	(ON)	OFF	(ON)	Chrome Plated Brass	S24
54-306*	SP3T	ON	ON	ON	Chrome Plated Brass	S24
54-307	DPDT	ON	NONE	ON	Chrome Plated Brass	S24
54-308	DPDT	ON	OFF	ON	Chrome Plated Brass	S24
54-309	DPDT	ON	NONE	(ON)	Chrome Plated Brass	S24
54-310	DPDT	ON	OFF	(ON)	Chrome Plated Brass	S24
54-312	4PDT	ON	NONE	ON	Chrome Plated Brass	S24
54-313	4PDT	ON	OFF	ON	Chrome Plated Brass	S24
54-314	4PDT	(ON)	OFF	(ON)	Chrome Plated Brass	S24
54-315	4PDT	ON	OFF	(ON)	Chrome Plated Brass	S24
54-316	4PDT	ON	NONE	(ON)	Chrome Plated Brass	S24
54-323	3PDT	ON	NONE	ON	Chrome Plated Brass	S24
54-324	3PDT	ON	OFF	ON	Chrome Plated Brass	S24
54-325	3PDT	(ON)	OFF	(ON)	Chrome Plated Brass	S24
54-326	3PDT	ON	OFF	(ON)	Chrome Plated Brass	S24
54-327	3PDT	ON	NONE	(ON)	Chrome Plated Brass	S24

SPECIAL NOTE: () = Momentary Function

* SP in DP case.

S24



Specifications

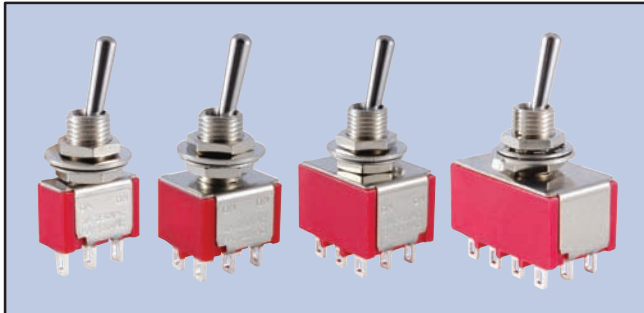
- Current Rating:** 6A 125VAC, 3A 250VAC or 4A 30VDC
- Insulation Resistance:** 1000 Megohms (min.) at 500VDC
- Dielectric Strength:** 1000V RMS (min.) between terminals
- Temperature Rating:** -40° to +185°F (-40° to +85°C)
- Electrical Life:** 50,000 cycles (min.)
40,000 cycles (min.) **3 Pole Only**
30,000 cycles (min.) **4 Pole Only**
- Terminal Type:** Refer to Diag No. in Table
- Mounting Hole:** .255 (6.5)

Bat Handle Mini Toggle

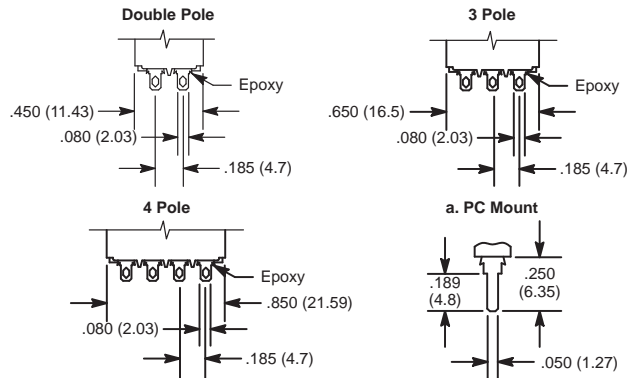
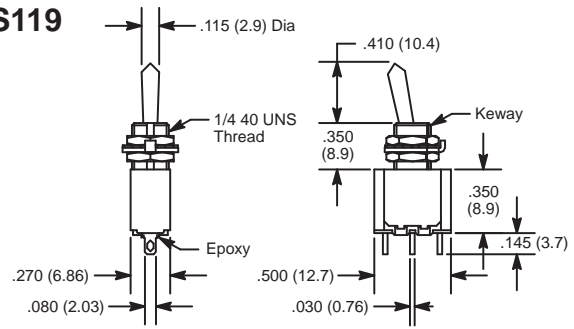


Features

- SP, DP, 3P & 4P Types
- PC Terminal Types Available (PC suffix)
- Epoxy Sealed Terminals
- Typical Applications Include: Switching Power Supplies, DC-DC Converters, Motors, etc.



S119



Specifications

- Current Rating:** 5A 120VAC or 28VDC, 2A 250VAC
- Insulation Resistance:** 1000 Megohms (min.)
- Dielectric Strength:** 1000V RMS (min.)
- Temperature Rating:** -22° to +185°F (-30° to +85°C)
- Electrical Life:** 50,000 cycles (min.) at full load
- Terminal Type:** Refer to Diag No. in Table
- Mounting Hole:** .250 (6.35)

	NTE Type No.	Circuitry	Action			Actuator	Diag No.
NEW	54-301E	SPDT	ON	NONE	(ON)	Chrome Plated Brass	S119
	54-301PC	SPDT	ON	NONE	(ON)	Chrome Plated Brass	S119a
NEW	54-302E	SPDT	ON	NONE	ON	Chrome Plated Brass	S119
	54-302PC	SPDT	ON	NONE	ON	Chrome Plated Brass	S119a
NEW	54-303E	SPDT	ON	OFF	ON	Chrome Plated Brass	S119
	54-303PC	SPDT	ON	OFF	ON	Chrome Plated Brass	S119a
NEW	54-304E	SPDT	ON	OFF	(ON)	Chrome Plated Brass	S119
	54-304PC	SPDT	ON	OFF	(ON)	Chrome Plated Brass	S119a
NEW	54-305E	SPDT	(ON)	OFF	(ON)	Chrome Plated Brass	S119
	54-305PC	SPDT	(ON)	OFF	(ON)	Chrome Plated Brass	S119a
NEW	54-307E	DPDT	ON	NONE	ON	Chrome Plated Brass	S119
	54-307PC	DPDT	ON	NONE	ON	Chrome Plated Brass	S119a
NEW	54-308E	DPDT	ON	OFF	ON	Chrome Plated Brass	S119
	54-308PC	DPDT	ON	OFF	ON	Chrome Plated Brass	S119a
NEW	54-309E	DPDT	ON	NONE	(ON)	Chrome Plated Brass	S119
	54-309PC	DPDT	ON	NONE	(ON)	Chrome Plated Brass	S119a
NEW	54-310E	DPDT	ON	OFF	(ON)	Chrome Plated Brass	S119
	54-310PC	DPDT	ON	OFF	(ON)	Chrome Plated Brass	S119a
NEW	54-311E	DPDT	(ON)	OFF	(ON)	Chrome Plated Brass	S119
	54-311PC	DPDT	(ON)	OFF	(ON)	Chrome Plated Brass	S119a
NEW	54-323E	3PDT	ON	NONE	ON	Chrome Plated Brass	S119
	54-323PC	3PDT	ON	NONE	ON	Chrome Plated Brass	S119a
NEW	54-324E	3PDT	ON	OFF	ON	Chrome Plated Brass	S119
	54-324PC	3PDT	ON	OFF	ON	Chrome Plated Brass	S119a
NEW	54-327E	3PDT	ON	NONE	(ON)	Chrome Plated Brass	S119
NEW	54-312E	4PDT	ON	NONE	ON	Chrome Plated Brass	S119
	54-312PC	4PDT	ON	NONE	ON	Chrome Plated Brass	S119a
NEW	54-313E	4PDT	ON	OFF	ON	Chrome Plated Brass	S119
	54-313PC	4PDT	ON	OFF	ON	Chrome Plated Brass	S119a
	54-316PC	4PDT	ON	NONE	(ON)	Chrome Plated Brass	S119a

SPECIAL NOTE: () = Momentary Function

Bat Handle Subminiature Toggle

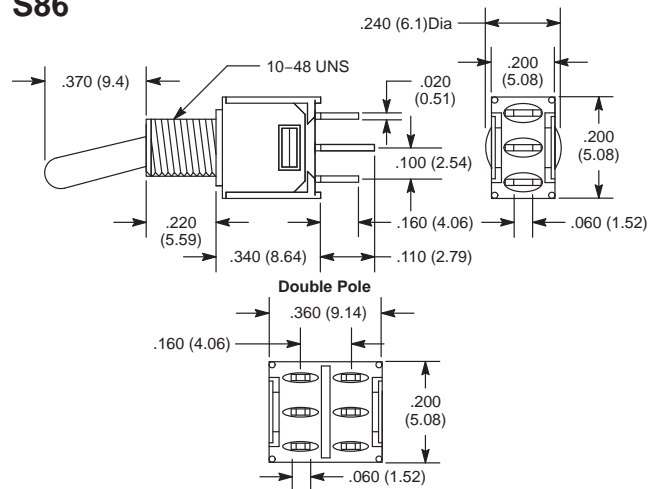


Features

- Single and Double Pole Types
- Epoxy Sealed Terminals



S86



NTE Type No.	Circuitry	Action			Actuator	Diag No.
54-140	SPST	ON	NONE	OFF	Chrome Plated Brass	S86
54-141	SPDT	ON	NONE	ON	Chrome Plated Brass	S86
54-142	DPDT	ON	NONE	ON	Chrome Plated Brass	S86

SPECIAL NOTE: () = Momentary Function

Specifications

Current Rating: 3A 120VAC or 28VDC, 1.5A 250VAC
Insulation Resistance: 1000 Megohms (min.)
Dielectric Strength: 1500V RMS (min.)
Temperature Rating: -22° to +185°F (-30° to +85°C)
Electrical Life: 30,000 cycles (min.)
Terminal Type: Solder Lug
Mounting Hole: .192 (4.9)

Bat Handle Subminiature Toggle

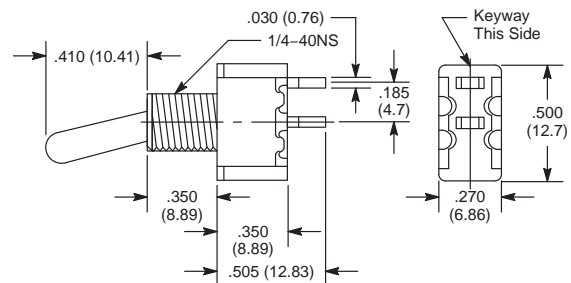


Features

- Epoxy Sealed Terminals



S95



NTE Type No.	Circuitry	Action			Actuator	Diag No.
54-395	SPST	ON	NONE	OFF	Chrome Plated Brass	S95

Specifications

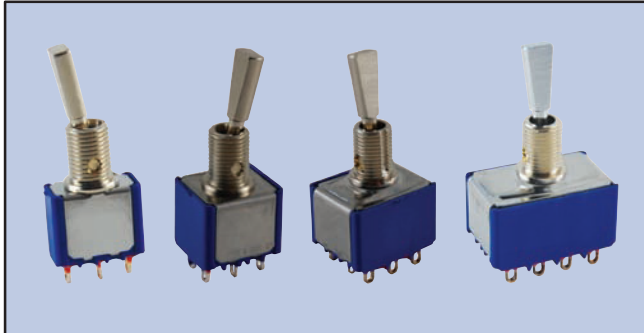
Current Rating: 5A 120VAC or 28VDC, 2A 250VAC
Insulation Resistance: 1000 Megohms (min.)
Dielectric Strength: 1000V RMS (min.)
Temperature Rating: -22° to +266°F (-30° to +130°C)
Electrical Life: 50,000 cycles (min.)
Terminal Type: Solder Lug
Mounting Hole: .250 (6.35)

Flatted Handle Mini Toggle



Features

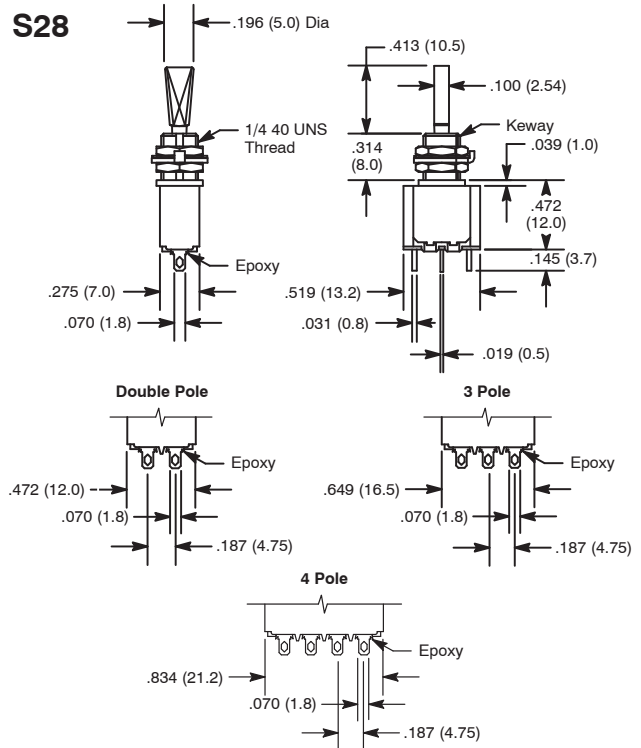
- SP, DP, 3P & 4P Types
- Epoxy Sealed Terminals
- Typical Applications Include: Switching Power Supplies, DC-DC Converters, Motors, etc.



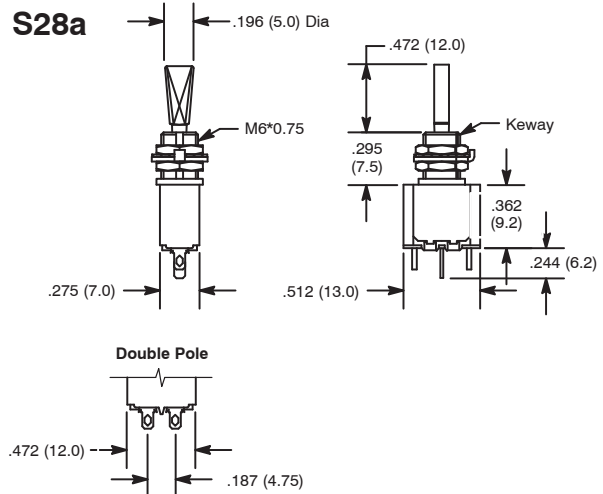
NTE Type No.	Circuitry	Action			Actuator	Diag No.
54-328	SPDT	ON	NONE	ON	Chrome Plated Brass	S28a
54-329	SPDT	ON	OFF	ON	Chrome Plated Brass	S28a
54-330	SPDT	(ON)	OFF	(ON)	Chrome Plated Brass	S28a
54-331	SPDT	ON	OFF	(ON)	Chrome Plated Brass	S28a
54-332	SPDT	ON	NONE	(ON)	Chrome Plated Brass	S28a
54-333	DPDT	ON	NONE	ON	Chrome Plated Brass	S28
54-334	DPDT	ON	OFF	ON	Chrome Plated Brass	S28a
54-335	DPDT	(ON)	OFF	(ON)	Chrome Plated Brass	S28
54-336	DPDT	ON	OFF	(ON)	Chrome Plated Brass	S28a
54-337	DPDT	ON	NONE	(ON)	Chrome Plated Brass	S28a
54-339	3PDT	ON	OFF	ON	Chrome Plated Brass	S28
54-340	3PDT	(ON)	OFF	(ON)	Chrome Plated Brass	S28
54-341	3PDT	ON	OFF	(ON)	Chrome Plated Brass	S28
54-342	3PDT	ON	NONE	(ON)	Chrome Plated Brass	S28
54-344	4PDT	ON	OFF	ON	Chrome Plated Brass	S28
54-345	4PDT	(ON)	OFF	(ON)	Chrome Plated Brass	S28
54-346	4PDT	ON	OFF	(ON)	Chrome Plated Brass	S28
54-347	4PDT	ON	NONE	(ON)	Chrome Plated Brass	S28

SPECIAL NOTE: () = Momentary Function

S28



S28a



Specifications

- Current Rating:** 6A 125VAC, 3A 250VAC or 4A 30VDC
- Insulation Resistance:** 1000 Megohms (min.) at 500VDC
- Dielectric Strength:** 1000V RMS (min.) between terminals
- Temperature Rating:** -40° to +185°F (-40° to +85°C)
- Electrical Life:** 50,000 cycles (min.)
40,000 cycles (min.) **3 Pole Only**
30,000 cycles (min.) **4 Pole Only**
- Terminal Type:** Solder Lug
- Mounting Hole:** .255 (6.5)

Nylon Paddle Toggle



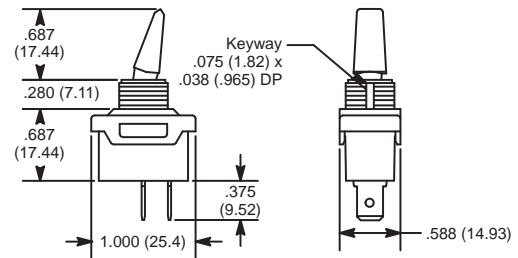
Features

- Nylon Insulated Toggle
- Self-Cleaning Wiping Contacts
- Industry Standard .500" Dia Mounting Hole
- Support Double Insulated Requirements



NTE Type No.	Circuitry	Action			Actuator	Diag No.
54-020	SPST	OFF	NONE	ON	Black Nylon	S6b
54-021	SPDT	ON	NONE	ON	Black Nylon	S6b
54-022	SPDT	ON	OFF	ON	Black Nylon	S6b

S6



Terminal Types

b: .250" Tab (Q.C.)



Specifications

- Current Rating:** 20A 125VAC, 10A 250VAC, 1 1/2 HP 125-250VAC
- Insulation Resistance:** 100 Megohms (min.)
- Dielectric Strength:** 1000V RMS (min.)
- Temperature Rating:** +32° to +185°F (0° to +85°C)
- Electrical Life:** 25,000 cycles
- Mechanical Life:** 100,000 cycles
- Terminal Type:** .250" Tab Q.C.
- Mounting Hole:** .500 (12.7)

Nylon Paddle Toggle



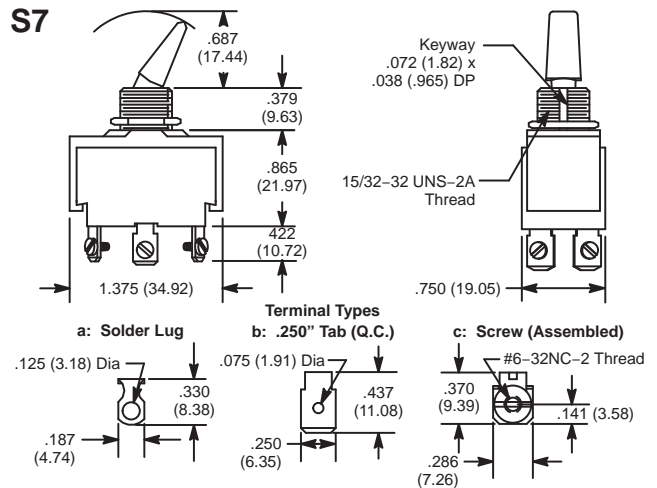
Features

- Slow Make, Slow Break Contacts
- Heavy Duty AC Rated Also Suitable for Low Voltage DC Applications
- Industry Standard .500" Dia Mounting Hole



NTE Type No.	Circuitry	Action			Actuator	Diag No.
54-110	SPST	ON	NONE	OFF	Black Polycarbonate	S7c
54-111	SPDT	ON	NONE	ON	Black Polycarbonate	S7c
54-119	SPDT	ON	OFF	ON	Black Polycarbonate	S7b
54-107	DPST	ON	NONE	OFF	Black Polycarbonate	S7b
54-112	DPST	ON	NONE	OFF	Black Polycarbonate	S7c
54-084	DPDT	ON	NONE	ON	Black Polycarbonate	S7a
54-085	DPDT	ON	OFF	ON	Black Polycarbonate	S7a
54-108	DPDT	ON	NONE	ON	Black Polycarbonate	S7b
54-109	DPDT	ON	OFF	ON	Black Polycarbonate	S7b
54-120	DPDT	ON	OFF	ON	Black Polycarbonate	S7c

S7



Specifications

- Current Rating:**
54-084 & 54-085: 6A 125VAC, 3A 250VAC, 1/4 HP 125-250VAC
All Other Devices: 20A 125-277VAC, 1 1/2 HP 125VAC, 2 HP 250VAC
- Insulation Resistance:** 100 Megohms (min.)
- Dielectric Strength:** 1000V RMS (min.)
- Temperature Rating:** +32° to +185°F (0° to +85°C)
- Electrical Life:** 50,000 cycles
- Mechanical Life:** 100,000 cycles
- Terminal Type:** Refer to Diag No. in Table
- Mounting Hole:** .500 (12.7)

Nylon Paddle Toggle

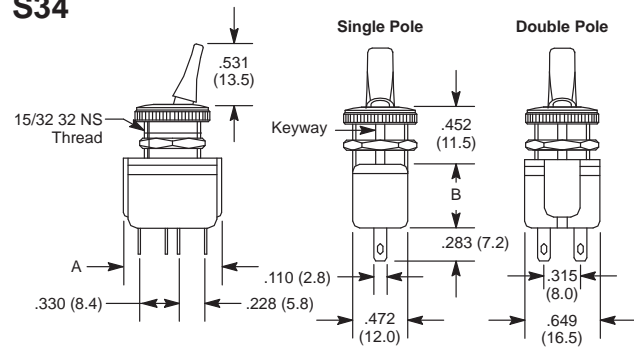


Features

- Quick Connect Terminals
- Insulated Actuator



S34



Device Type	A	B
Single Pole	.748 (19.0)	.551 (14.0)
Double Pole	.826 (21.0)	.590 (15.0)

NTE Type No.	Circuitry	Action			Actuator	Diag No.
		ON	NONE	OFF		
54-317	SPDT	ON	NONE	ON	Black Polyamide 6-6	S34
54-318	SPDT	ON	OFF	ON	Black Polyamide 6-6	S34
54-319	SPST	ON	NONE	OFF	Black Polyamide 6-6	S34
54-320	DPST	ON	NONE	OFF	Black Polyamide 6-6	S34
54-321	DPDT	ON	NONE	ON	Black Polyamide 6-6	S34
54-322	DPDT	ON	OFF	ON	Black Polyamide 6-6	S34

Specifications

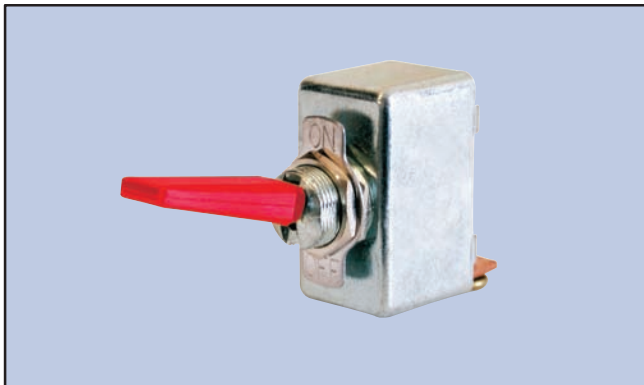
Current Rating: 6A 125VAC, 4A 250VAC
Insulation Resistance: 1000 Megohms (min.) at 500VDC
Dielectric Strength: 2000V RMS (min.) between terminals
Temperature Rating: -4° to +131°F (-20° to +55°C)
Electrical Life: 10,000 cycles (min.)
Terminal Type: Solder Lug/Quick Connect
Mounting Hole: .492 (12.5)

Paddle Handle Toggle

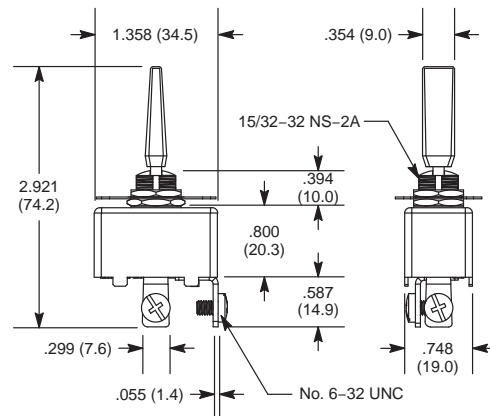


Features

- 50 Amps at 12VDC
- Suitable for Low Voltage, High Amperage Applications
- Screw Terminals



S26



Specifications

Current Rating: 50A 12VDC
Insulation Resistance: 100 Megohms (min.) at 500VDC
Dielectric Strength: 1500V RMS (min.)
Temperature Rating: -4° to +180°F (-20° to +85°C)
Electrical Life: 25,000 cycles
Mechanical Life: 100,000 cycles
Terminal Type: Screw Type
Mounting Hole: .500 (12.7)

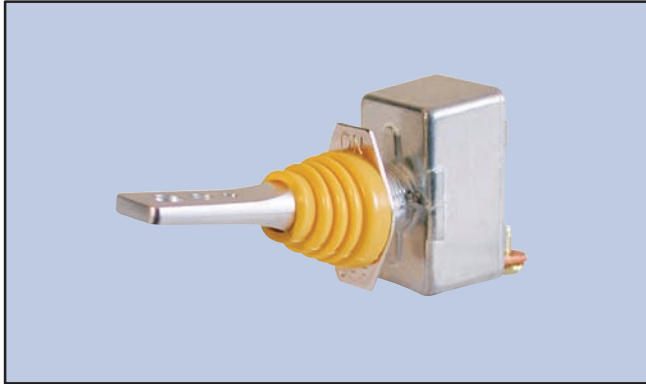
NTE Type No.	Circuitry	Action			Actuator		Diag No.
		ON	NONE	OFF	Material	Color	
54-560	SPST	ON	NONE	OFF	ABS	Black	S26
54-561	SPST	ON	NONE	OFF	ABS	Red	S26
54-562	SPST	ON	NONE	OFF	ABS w/Chrome Plating	Chrome	S26

Paddle Handle Toggle

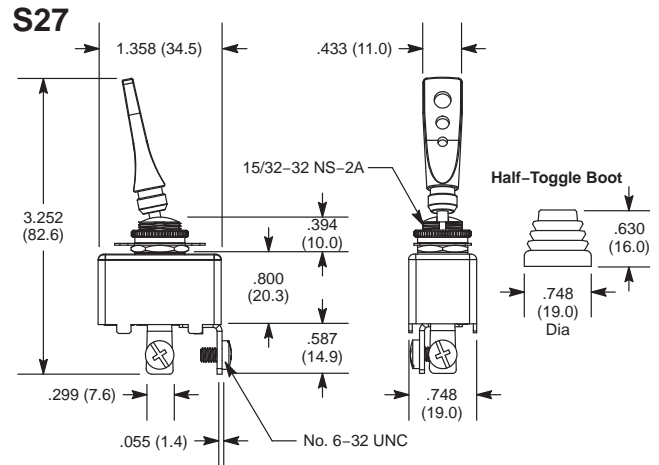


Features

- 50 Amps at 12VDC
- Interchangeable Boots (Red, Black, Yellow and Blue) Included
- Screw Terminals



NTE Type No.	Circuitry	Action	Actuator	Diag No.
54-563	SPST	ON NONE OFF	Chrome Plated	S27



Specifications

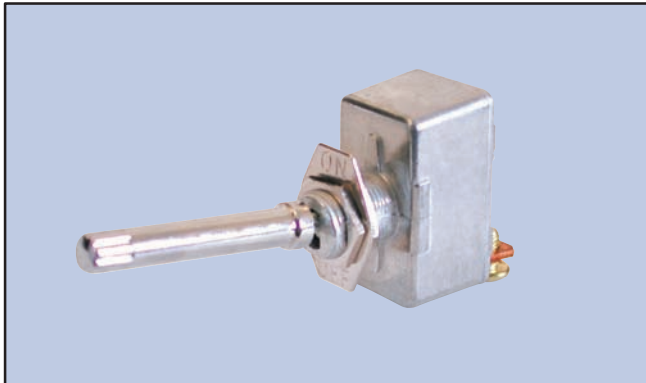
Current Rating: 50A 12VDC
Insulation Resistance: 100 Megohms (min.) at 500VDC
Dielectric Strength: 1500V RMS (min.)
Temperature Rating: -4° to +180°F (-20° to +85°C)
Electrical Life: 25,000 cycles
Mechanical Life: 100,000 cycles
Terminal Type: Screw Type
Mounting Hole: .500 (12.7)

Long Bat Handle Toggle

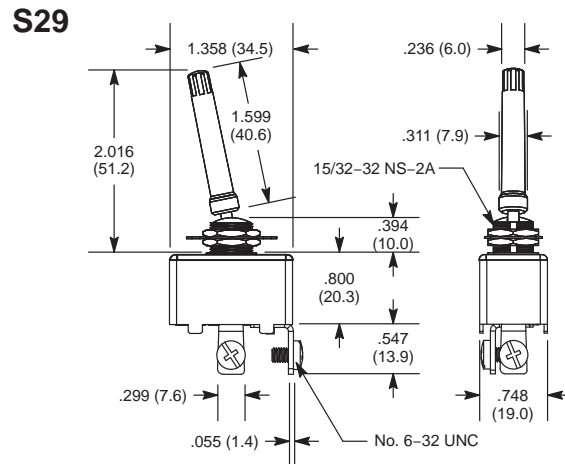


Features

- 50 Amps at 12VDC
- 1 5/8" Long Bat Handle
- Screw Terminals



NTE Type No.	Circuitry	Action	Actuator	Diag No.
54-564	SPST	ON NONE OFF	Chrome Plated	S29



Specifications

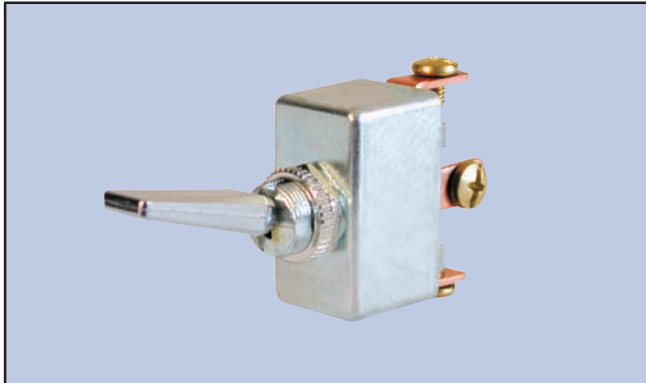
Current Rating: 50A 12VDC
Insulation Resistance: 100 Megohms (min.) at 500VDC
Dielectric Strength: 1500V RMS (min.)
Temperature Rating: -4° to +180°F (-20° to +85°C)
Electrical Life: 25,000 cycles
Mechanical Life: 100,000 cycles
Terminal Type: Screw Type
Mounting Hole: .500 (12.7)

Paddle Toggle



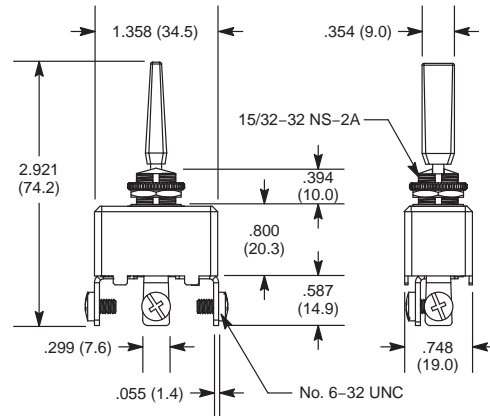
Features

- 50 Amps at 12VDC
- Screw Terminals



NTE Type No.	Circuitry	Action			Actuator	Diag No.
54-565	SPDT	ON	OFF	ON	Chrome Plated	S29

S30



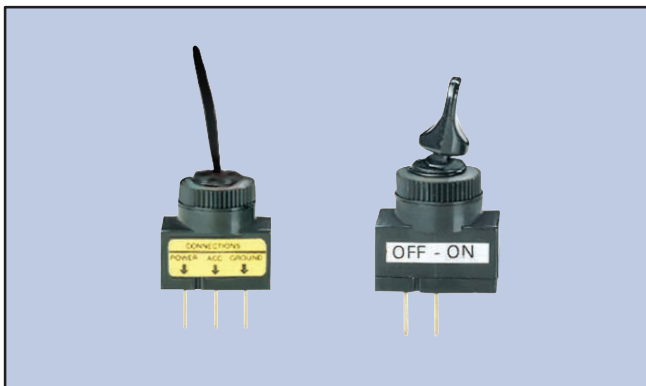
Specifications

Current Rating: 50A 12VDC
Insulation Resistance: 100 Megohms (min.) at 500VDC
Dielectric Strength: 1500V RMS (min.)
Temperature Rating: -4° to +180°F (-20° to +85°C)
Electrical Life: 25,000 cycles
Mechanical Life: 100,000 cycles
Terminal Type: Screw Type
Mounting Hole: .500 (12.7)

On/Off Bat Handle and Duckbill Toggle

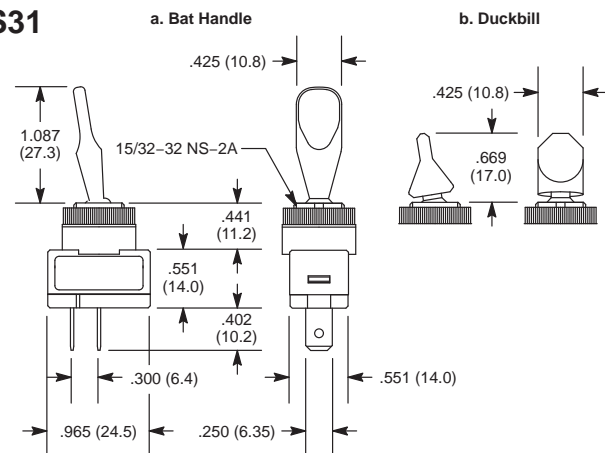
Features

- Illuminated Types Available on Page 19
- Bat Handle (54-566) and Duckbill (54-571) Types
- .250" Quick-Connect Terminals



NTE Type No.	Circuitry	Action			Actuator	Diag No.
54-566	SPST	ON	NONE	OFF	Black	S31a
54-571	SPST	ON	NONE	OFF	Brushed Aluminum	S31b

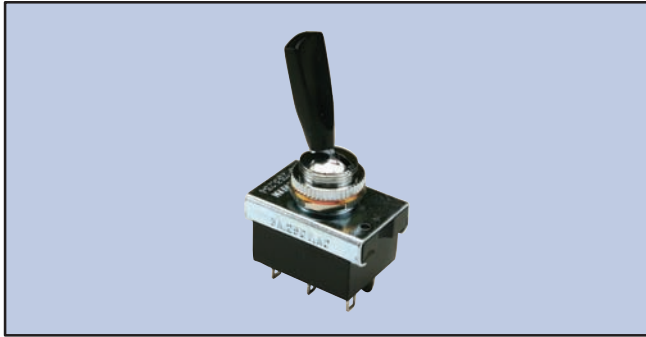
S31



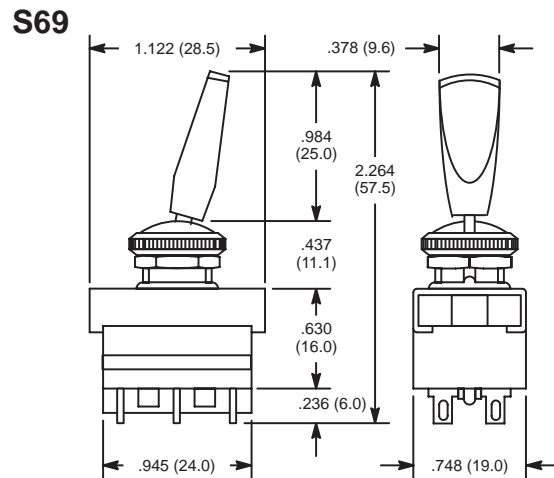
Specifications

Current Rating: 20A 12VDC
Insulation Resistance: 100 Megohms (min.) at 500VDC
Dielectric Strength: 1000V RMS (min.)
Temperature Rating: -4° to +180°F (-20° to +85°C)
Electrical Life: 25,000 cycles
Mechanical Life: 100,000 cycles
Terminal Type: .250" Tab Q.C.
Mounting Hole: .500 (12.7)

Paddle Toggle



NTE Type No.	Circuitry	Action			Actuator	Diag No.
54-381	DPDT	ON	OFF	ON	Black ABS Resin	S69



Specifications

- Current Rating:** 6A 250VAC
- Insulation Resistance:** 100 Megohms (min.) at 500VDC
- Dielectric Strength:** 1500V RMS (min.)
- Temperature Rating:** +14° to +131°F (-10° to +55°C)
- Electrical Life:** 6,000 cycles
- Mechanical Life:** 30,000 cycles
- Terminal Type:** Solder Lug
- Mounting Hole:** .472 (12.0)