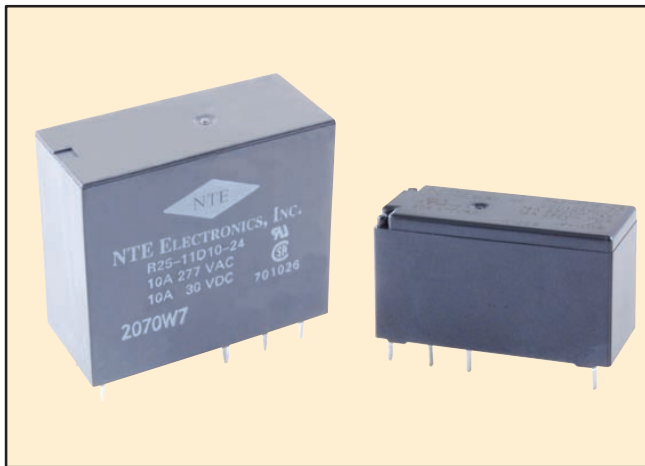


## Features

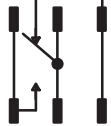
- Epoxy Sealed for Wave Soldering & Cleaning
- Upright Package Type
- Suitable for 5mm Grid Pattern
- Immersion Proof



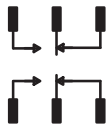
SPST-NO, 1 Form "A"



SPDT, 1 Form "C"



DPDT, 2 Form "C"



| AC OPERATED   |              |              |                      |            |                                     |          |
|---------------|--------------|--------------|----------------------|------------|-------------------------------------|----------|
| NTE Type No.  | Nom. Voltage | Contact Arr. | Coil Res. Ohms (Typ) | Nom. Power | Max. Contact Cur. @ 28VDC or 120VAC | Diag No. |
| R25-5A16-24   | 24VAC        | SPDT         | 280                  | -          | 16A                                 | D39a     |
| R25-5A16-120  | 120VAC       | SPDT         | 5600                 | -          | 16A                                 | D39a     |
| R25-11A10-24  | 24VAC        | DPDT         | 280                  | -          | 10A                                 | D39a     |
| R25-11A10-120 | 120VAC       | DPDT         | 5600                 | -          | 10A                                 | D39a     |
| DC OPERATED   |              |              |                      |            |                                     |          |
| R25-1D16-5/6  | 5/6VDC       | SPST-NO      | 68                   | 500mW      | 16A                                 | D39b     |
| R25-1D16-12   | 12VDC        | SPST-NO      | 270                  | 500mW      | 16A                                 | D39b     |
| R25-1D16-24   | 24VDC        | SPST-NO      | 1100                 | 500mW      | 16A                                 | D39b     |
| R25-1D16-48   | 48VDC        | SPST-NO      | 4200                 | 500mW      | 16A                                 | D39b     |
| R25-5D16-5/6  | 5/6VDC       | SPDT         | 68                   | 500mW      | 16A                                 | D39a     |
| R25-5D16-12   | 12VDC        | SPDT         | 270                  | 500mW      | 16A                                 | D39a     |
| R25-5D16-24   | 24VDC        | SPDT         | 1100                 | 500mW      | 16A                                 | D39a     |
| R25-5D16-48   | 48VDC        | SPDT         | 4200                 | 500mW      | 16A                                 | D39a     |
| R25-11D10-5/6 | 5/6VDC       | DPDT         | 68                   | 500mW      | 10A                                 | D39a     |
| R25-11D10-12  | 12VDC        | DPDT         | 270                  | 500mW      | 10A                                 | D39a     |
| R25-11D10-24  | 24VDC        | DPDT         | 1440                 | 400mW      | 8A                                  | D83b     |
| R25-11D10-48  | 48VDC        | DPDT         | 4200                 | 500mW      | 10A                                 | D39a     |

## ACCESSORIES

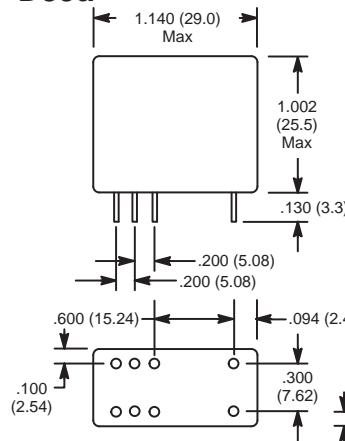
| MOUNTING STYLES | DESCRIPTION | NTE TYPE NO. |
|-----------------|-------------|--------------|
| PC MOUNT        | 8-PIN       | R95-132      |
| DIN RAIL MOUNT  | 8-PIN       | R95-131      |

# R25 Series

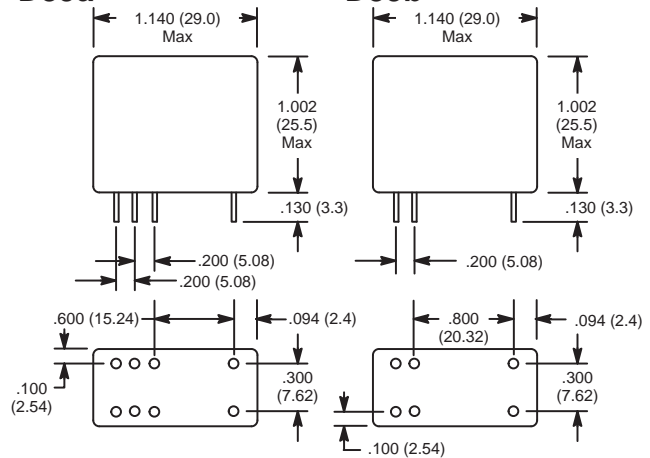


## 8 Amp, 10 Amp & 16 Amp PC Mountable Relays.

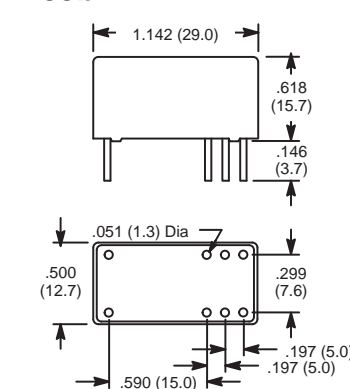
D39a



D39b



D83b



## Electrical Specifications

### Contact

**Rating Resistive Load:** 16 Amp @ 250/440 VAC, 10 Amp @ 250/440 VAC, 8 Amp @ 240VAC \*\*

**Contact Material:** AgCdO, AgNi \*\*

### Coil

**Coil Voltages:** See Chart

**Pick-up Voltage:** 80% of rated voltage

**Drop-out Voltage:** 10% of rated voltage, 15% of rated voltage \*\*

**Resistance:** See chart

**Nominal Power:** See Chart

### Operational Characteristics

**Timing Values . . . . Operate Time:** Approx 8 mS, 20ms \*\*

**Release Time:** Approx 5 mS, 10ms \*\*

**Max Switching Rate:** 20 operations per second

### Insulation Characteristics

**Dielectric Strength**

**Contact To Coil:** 4000 VRMS, 5000 VRMS \*\*

**Across Open Contacts:** 1000 VRMS, 2500VRMS \*\*

### Environmental Characteristics

**Operating:** -40°C to +70°C

**Mechanical Life:** 30 x 10<sup>6</sup> operations min, 5,000,000 operations \*\*

### Weight

**Std:** 18 gram approx., 10 gram approx. \*\*

\*\* R25-11D10-24 ONLY