

**PLEASE CHECK WWW.MOLEX.COM FOR LATEST PART INFORMATION**

**Part Number:** [501953-0407](#)  
**Status:** **Active**  
**Overview:** Pico-Clasp™ Single and Dual Row Wire-to-Board Connectors  
**Description:** 1.00mm Pitch Pico-Clasp™ Wire-to-Board Header, Surface Mount, Single Row, Right Angle, 4 Circuits

**Documents:**

[3D Model](#) [Product Specification PS-501940-001 \(PDF\)](#)  
[Drawing \(PDF\)](#) [RoHS Certificate of Compliance \(PDF\)](#)  
[Product Specification PS-501935-001 \(PDF\)](#)

**General**

Product Family	PCB Headers
Series	501953
Application	Signal, Wire-to-Board
Overview	<a href="#">Pico-Clasp™ Single and Dual Row Wire-to-Board Connectors</a>
Product Name	Pico-Clasp™
UPC	822350294140

**Physical**

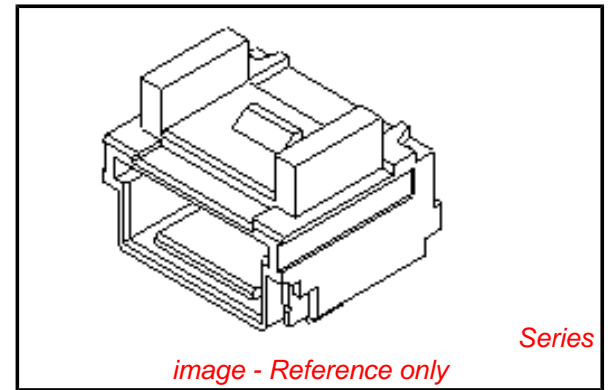
Breakaway	No
Circuits (Loaded)	4
Circuits (maximum)	4
Color - Resin	Natural
Durability (mating cycles max)	30
First Mate / Last Break	No
Glow-Wire Compliant	No
Guide to Mating Part	No
Keying to Mating Part	None
Lock to Mating Part	Yes
Mated Height	4.75mm
Material - Metal	Phosphor Bronze
Material - Plating Mating	Unplated
Material - Plating Termination	Unplated
Material - Resin	High Temperature Thermoplastic
Net Weight	130.200/mg
Number of Rows	1
Orientation	Right Angle
PCB Locator	No
PCB Retention	Yes
Packaging Type	Embossed Tape on Reel
Pitch - Mating Interface	1.00mm
Polarized to Mating Part	Yes
Polarized to PCB	No
Shrouded	Fully
Stackable	No
Temperature Range - Operating	-40°C to +85°C
Termination Interface: Style	Surface Mount

**Electrical**

Current - Maximum per Contact	1A
Voltage - Maximum	50V

**Material Info**

**Reference - Drawing Numbers**



**EU RoHS**

**ELV and RoHS Compliant**  
**REACH SVHC**  
**Contains SVHC: No**  
**Low-Halogen Status**  
**Not Low-Halogen**

**China RoHS**



**Need more information on product environmental compliance?**

Email [productcompliance@molex.com](mailto:productcompliance@molex.com)  
 For a multiple part number RoHS Certificate of Compliance, [click here](#)

Please visit the [Contact Us](#) section for any non-product compliance questions.

**Search Parts in this Series**

501953Series

**Mates With**

501939 Pico-Clasp™ Wire-to-Board Housing

Product Specification

Sales Drawing

PS-501935-001, PS-501940-001, RPS-501940-001,  
RPS-501940-002, RPS-501940-004, RPS-501940-007  
SD-501953-001, SD-501953-002, SD-501953-003,  
SD-501953-004

This document was generated on 02/02/2015

**PLEASE CHECK [WWW.MOLEX.COM](http://WWW.MOLEX.COM) FOR LATEST PART INFORMATION**