



Patent Pending

SafeSite® LED High Bay - UL 844
for Indoor and Outdoor Hazardous Locations



SafeSite® LED High Bay



Features & Benefits

- L70 rated for > 100,000 hours @ 25°C
- 5 & 10 year full performance warranty
- Up to 104lm/W
- Low T rating compared to traditional fixtures
- Instant on/off operation
- Universal input (100-277V AC), 50/60Hz
- Superior color rendition index compared to HPS, LPS, MV
- Mercury free
- Resistant to shock and vibration
- Temperature compensation technology for longer life
- Copper free aluminum
- Factory sealed

About Dialight

Dialight (LSE: DIA.L) is leading the energy efficient LED lighting revolution around the world for industrial and hazardous areas as well as transportation and infrastructure applications. For 40 years it has been committed to the development of LED lighting solutions that enable organizations to vastly reduce energy use and maintenance needs, improve safety, ease disposal and reduce CO₂ emissions.

Value Proposition

- 10+ years of maintenance free lighting
- Improve safety, color quality
- Improve temperature rating (T-rating)
- Lower total cost of ownership, quick ROI
- Lower energy consumption by > 50%
- Significantly reduce CO₂ emissions

History at a Glance

- 1938 → Dialight founded in Brooklyn, NY
- 1971 → LED Circuit Board Indicator
- 1994 → LED Transit Vehicle Signals
- 1995 → LED Traffic Signals
- 2000 → FAA certified LED Obstruction Lights
- 2007 → LED Lighting for Hazardous Locations
- 2009 → LED High Bay Fixtures
- 2012 → Full performance 10-year warranty
- 2013 → Controls for LED Lighting
- 2014 → 125 Lumens per Watt

SafeSite®

- LED lighting for hazardous locations

DuroSite®

- LED lighting for general Industrial locations

Vertically Focused

Regulated Primary Markets

- Oil, Gas & Petrochemical
- Power Generation
- Mining
- Chemical
- Pharmaceutical
- Water & Sewage
- Food & Beverage

Secondary Markets

- Manufacturing
- Warehousing
- Cold Storage
- Data Centers



Significantly smaller than traditional High Bay fixtures



Meets Buy American
For projects requiring Buy American
certification, consult factory for additional
information and details

View the full case studies at:

Horizontal Well Drillers - www.dialight.com/Product/Category/524683

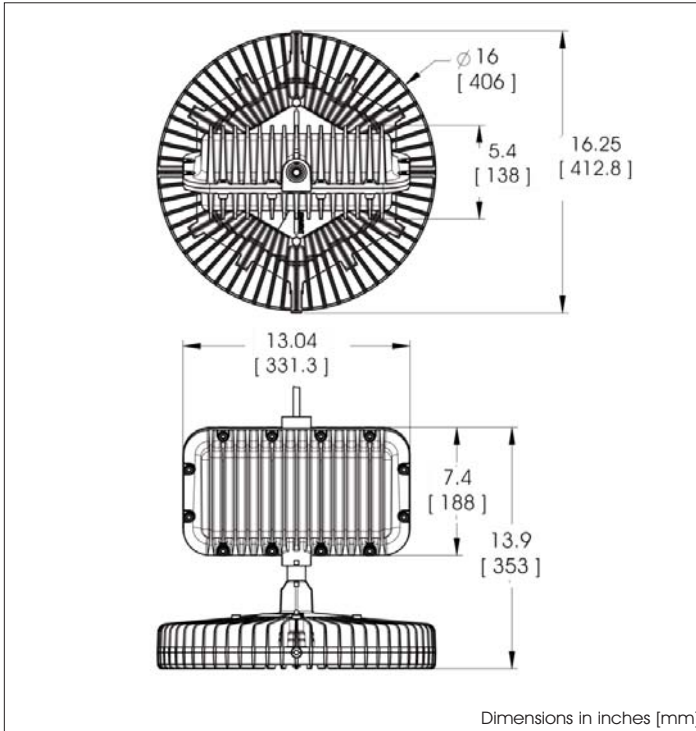
LANXESS - www.dialight.com/Assets/Brochures_And_Catalogs/Illumination/LANXESS_Case_Study.pdf

Kohler - www.dialight.com/Product/Category/Koehler-LED-Case-Study-Pulp-Paper

Complete your own Return on Investment calculation at: www.dialight.com/tcoCalculator/Durosite_HighBay



SafeSite® LED High Bay 25,000 Lumen



Certifications & Ratings

- Certified to UL 844
- Certified to UL 1598/A
- Certified to C22.2 No.137-M81
- NEMA 4X (pending)
- IP 66
- IDA Dark Sky

Test Reports

- LM79 Certified
- LM80

Mechanical Information

Fixture Weight:	HLD - 30 lbs (13.6 kg)
Shipping Weight:	HLD - 35 lbs (15.88 kg)
Mounting:	(1) 3/4" NPT
Cabling:	10' (3.5m) STOOV Power Cord

Electrical specifications

Operating Voltage:	100 – 277V AC
Total System Power Consumption:	See table on page 6
Operating Temp:	-40°F to +149°F (-40°C to +65°C)
Harmonics:	IEC 61000-3-2
Noise Requirements/ EMC:	FCC Title 47, Subpart B, Section 15, class A device. RF Immunity; 10V/m, 80MHz-1GHz
Transient Protection:	Has protection devices rated up to 10kA. Tested with 6kV/2 ohm combination wave, as per IEEE C62.41, line-line and line-ground

Power Factor:	> 0.9
Fusing:	Internal on black wire

Construction

Housing:	Powder coated aluminum
Finish:	Polyester powder coat gray RAL 7040 for superior corrosion resistance
Lens:	Tempered glass

Photometric Information

CRI:	70
CCT:	5,000K (cool white) 4,000K (neutral white)

All values typical unless otherwise stated
Lumen values are typical (tolerance +/- 10%)

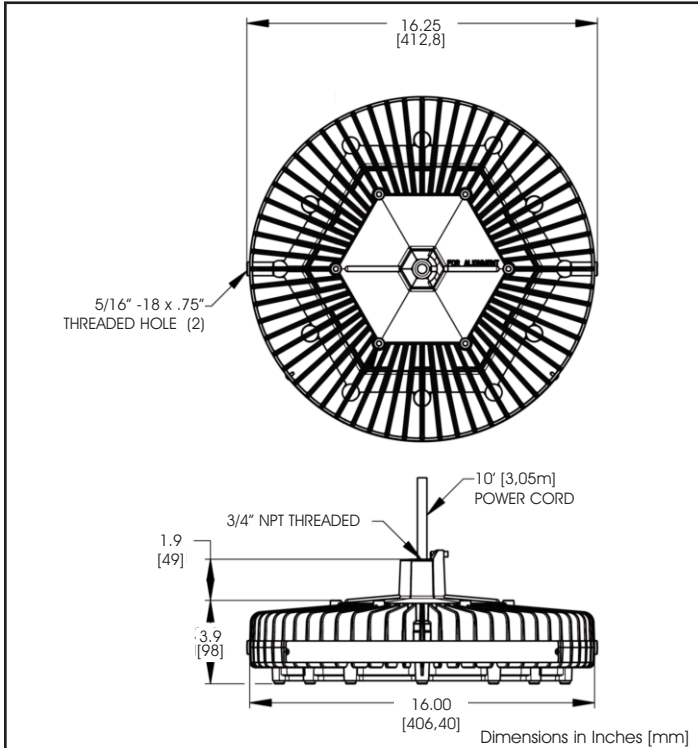
Temperature Ratings	
	Ambient Temperature Range - T3C Temperature Code
HLD	-40F to +149F (-40C to +65C)



Patent Pending

SafeSite® LED High Bay

5,500 - 17000 Lumens



Certifications & Ratings

- UL 844
- UL 1598/A
- C22.2 No.137-M81
- Group B for Hydrogen
- ABS Design Assessed: # 12-HS926876-PDA
- NEMA 4X
- IP 66
- IDA Dark Sky

Test Reports

- LM79 Certified
- LM80

Application

The Dialight SafeSite® LED High Bay luminaire was designed specifically to replace conventional high bay lighting fixtures in hazardous location applications. Its low profile, light weight design allows for increased mounting versatility and ease of installation.

All of Dialight's long life LED luminaires are designed to meet the most demanding specification criteria while offering maximum energy savings, reduced maintenance costs, and a superior quality of light.

Mechanical Information

Fixture Weight:	HBC - 30 lbs (13.6kg) HBD - 17 lbs (7.7kg) HBM - 30 lbs (13.6kg) HBP - 32 lbs (14.5kg)
Shipping Weight:	HBC - 35 lbs (16kg) HBD - 22 lbs (10kg) HBM - 35 lbs (16kg) HBP - 37 lbs (17kg)
Mounting:	(1) 3/4" NPT (2) 5/16"-18 x .75" UNC
Cabling:	10' (3.5m) STOOV Power Cord

Electrical specifications

Voltage:	Universal inputs 100-277V AC, 50/60Hz 347-480V AC 50/60Hz
Total System Power Consumption:	See table
Noise Requirements/ EMC:	FCC Title 47, Subpart B, Section 15, class A device. RF Immunity; 10V/m, 80MHz-1GHz
Transient Protection:	Has protection devices rated up to 6kA. Tested with 6kV/2 ohm combination wave, as per IEEE C62.41, line-line and line-ground
THD:	<15% (277V AC)
Power Factor:	> 0.9
Construction	
Housing:	Powder coated aluminum
Finish:	Polyester / epoxy powder coat gray RAL 7040 for superior corrosion resistance
Lens:	Polycarbonate - UL1598A wet location Tempered glass

Photometric Information

CRI:	> 70
CCT:	5,000K (cool white) 4,000K (neutral white)

All values typical unless otherwise stated
All Lumen values are typical (tolerance +/- 10%)

Temperature Ratings		
	Ambient Temperature Range T4a Temperature Code	Ambient Temperature Range T5 Temperature Code
HBC	-40F to +149F (-40C to +65C)	-40F to +131F (-40C to +55C)
HBM		
HBP	-40F to +149F (-40C to +65C)	
14,000lm and lower Models		
HBD	-40F to +140F (-40C to +60C)	-40F to +104F (-40C to +40C)
HBF		
17,000lm Models		
	Ambient Temperature Range T3C Temperature Code	Ambient Temperature Range T4 Temperature Code
HBD	-40F to +149F (-40C to +65C)	-40F to +140F (-40C to +40C)
HBF		

SafeSite® LED High Bay

Ordering Information

Part Number	CID1	CID2	CIID1	CIID2	CIID1	CIID2	Voltage	Other Approvals	Lens	CCT	Lumens	Wattage	LPW
10 Year Warranty - Class I, Div 2 / Class I, Div. 1													
HLDGC4KN-10YR		A / B / C / D		F / G	•	•	100-277V AC		Glass	CW	25,000	270	93
HBDGCMN		A / B / C / D		F / G	•	•	100-277V AC		Glass	CW	17,500	170	103
HBC9CMN	C / D	C / D	E / F / G	F / G			100-277V AC		Glass	CW	14,500	170	85
HBDGC4N		A / B / C / D		F / G	•	•	100-277V AC		Glass	CW	14,000	146	96
HBD2C4N		A / B / C / D		F / G	•	•	100-277V AC		Polycarbonate	CW	12,000	146	82
HBC9C3N	C / D	C / D	E / F / G	F / G			100-277V AC		Glass	CW	11,000	146	75
HBF2C4N		A / B / C / D	E / F / G	F / G	•	•	100-277V AC		Polycarbonate	CW	10,000	146	68
5 Year Warranty - Class I, Div 2													
HBDGCTN		A / B / C / D		F / G	•	•	347-480V AC		Glass	CW	17,500	172	102
HBDGC5N		A / B / C / D		F / G	•	•	347-480V AC		Glass	CW	14,500	161	90
HBD2C5N		A / B / C / D		F / G	•	•	347-480V AC		Polycarbonate	CW	12,000	161	75
HBF2C5N		A / B / C / D	E / F / G	F / G	•	•	347-480V AC		Polycarbonate	CW	12,000	161	75
HBD2C4M		A / B / C / D		F / G	•	•	100-277V AC		Polycarbonate	CW	10,500	146	72
HBD2C5M		A / B / C / D		F / G	•	•	347-480V AC		Polycarbonate	CW	10,500	146	72
HBF2C4M		A / B / C / D	E / F / G	F / G	•	•	100-277V AC		Polycarbonate	CW	10,500	146	72
HBF2C5M		A / B / C / D	E / F / G	F / G	•	•	347-480V AC		Polycarbonate	CW	10,500	146	72
HBF3C4L		A / B / C / D	E / F / G	F / G	•	•	100-277V AC		Polycarbonate	CW	8,500	123	69
HBF3C5L		A / B / C / D	E / F / G	F / G	•	•	347-480V AC		Polycarbonate	CW	8,500	123	69
HBD3C4L		A / B / C / D		F / G	•	•	100-277V AC		Polycarbonate	CW	8,500	123	69
HBD3C5L		A / B / C / D		F / G	•	•	347-480V AC		Polycarbonate	CW	8,500	123	69
5 Year Warranty - Class I, Div 1													
HBC9CTN	C / D	C / D	E / F / G	F / G			347-480V AC		Glass	CW	14,500	172	84
HBC9C6N	C / D	C / D	E / F / G	F / G			347-480V AC		Glass	CW	11,000	162	68
HBC9C3M	C / D	C / D	E / F / G	F / G			100-277V AC		Glass	CW	9,500	146	65
HBC9C6M	C / D	C / D	E / F / G	F / G			347-480V AC		Glass	CW	9,500	146	65
HBM9C3M	C / D	C / D	E / F / G	F / G			100-277V AC	Paint Spray Booth	Glass	CW	9,500	146	65
HBM9C6M	C / D	C / D	E / F / G	F / G			347-480V AC	Paint Spray Booth	Glass	CW	9,500	146	65
HBP9C3M	B/C/D		E / F / G				100-277V AC	Group B Hydrogen only	Glass	CW	9,500	146	65
HBP9C6M	B/C/D		E / F / G				347-480V AC	Group B Hydrogen only	Glass	CW	9,500	146	65
HBC8C3G	C / D	C / D	E / F / G	F / G			100-277V AC		Glass	CW	5,500	137	40
HBC8C6G	C / D	C / D	E / F / G	F / G			347-480V AC		Glass	CW	5,500	137	40

Models shown are cool white, for neutral white models replace the 5th character with an **N** HBDG**C**CMN becomes HBDG**N**CMN
 For Dialight's complete list of DLC qualified products, please click this link: www.dialight.com/Assets/News_And_Events/DLC_Part_Number_List.xls

SafeSite® LED High Bay

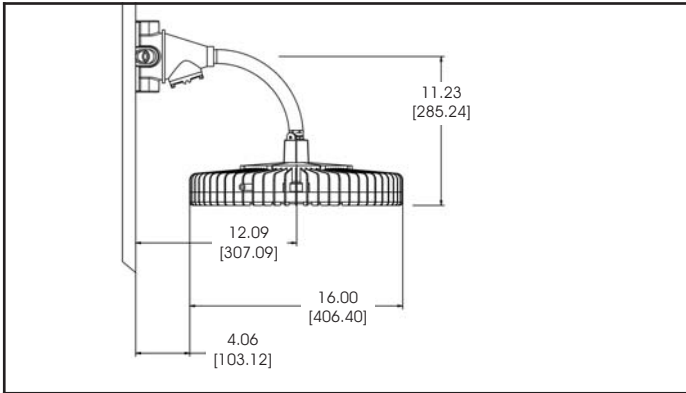
Mounting Options & Accessories

	Part Number	Description	Kit Includes	CID2	CID1
17,000 lumen models and lower					
	No Part Number	Pendant Mount (Conduit supplied by installer)	Conduit supplied by installer	●	●
	HBXW1	Wall Mount	Junction Box Fixture Hanger Cover Rigid Pipe Sweep	●	●
	HBXW2	Swivel Bracket and Cable Gland	Swivel Bracket Bracket to fixture hardware Cable Gland	●	
	HBXC1	Ceiling Mount	Junction Box Fixture Hanger Cover 3" Rigid Pipe	●	●
	HBXCG	Cable Gland	Cable Gland	●	
	HBX-DUAL-BRCKT	Dual bracket	Junction box & cover	●	
25,000 lumen models					
	HBXCG	Cable Gland	Cable Gland	●	
	HLXW2	Swivel Bracket and Cable Gland	Swivel Bracket Bracket to fixture hardware Cable Gland (1/2") Reducer (3/4" to 1/2")	●	

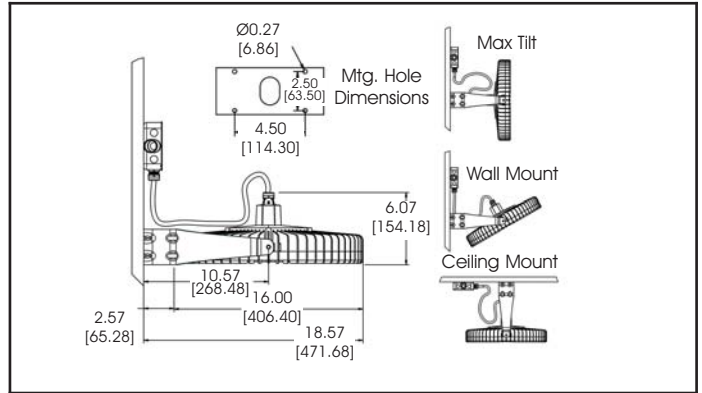
SafeSite® LED High Bay

Mounting Options & Accessories

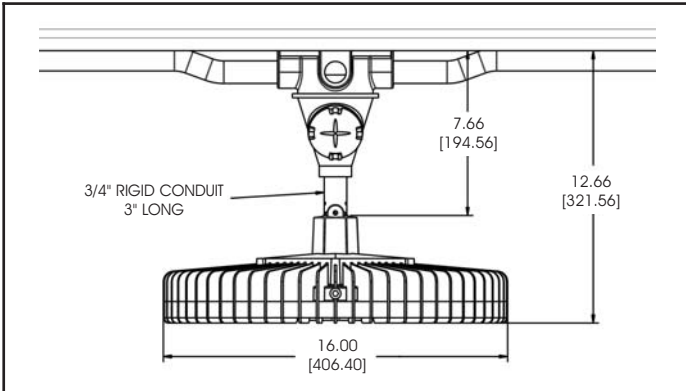
HBXW1 - Wall Mount



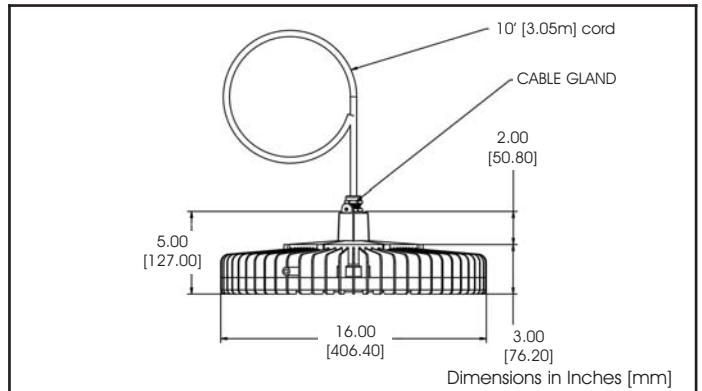
HBXW2 - Swivel Bracket and Cable Gland



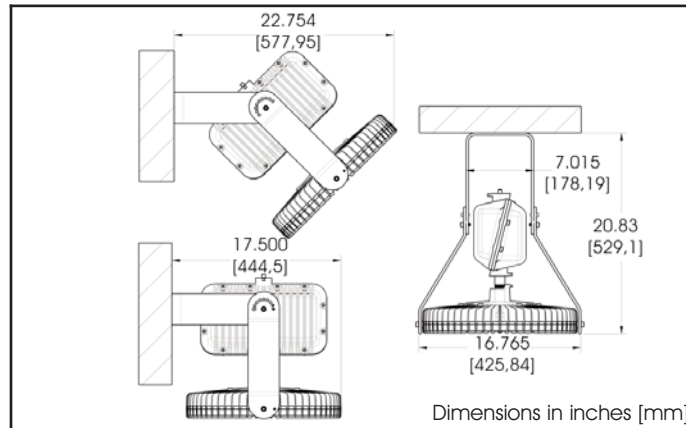
HBXC1 - Ceiling Mount



HBXCG - Cable Gland



HLXW2 - Swivel Bracket



Dialight reserves the right to make changes at any time in order to supply the best product possible. The most current version of this document will always be available at: www.dialight.com/Assets/Brochures_And_Catalogs/Illumination/MDTFHZCHB001.pdf
 Warranty Statement: EXCEPT FOR THE WARRANTY EXPRESSLY PROVIDED FOR [HEREIN/ABOVE/BELOW], DIALIGHT DISCLAIMS ANY AND ALL OTHER WARRANTIES, EXPRESS OR IMPLIED, INCLUDING, WITHOUT LIMITATION, ANY WARRANTIES OF MERCHANTABILITY, FITNESS FOR A PARTICULAR PURPOSE, TITLE, AND NON-INFRINGEMENT.

SafeSite® LED High Bay
for Indoor and Outdoor Hazardous Locations

