

PLEASE CHECK WWW.MOLEX.COM FOR LATEST PART INFORMATION

Part Number: [52901-0674](#)
Status: **Active**
Overview: SlimStack™ 0.635mm Pitch Board-to-Board Connectors
Description: 0.635mm Pitch SlimStack™ Receptacle, Surface Mount, Dual Row, Vertical Stacking, 12.00 to 16.00mm Stacking Heights, Embossed Tape with Cover, 60 Circuits

Documents:

[3D Model](#) [Packaging Specification SPK-52901-001 \(PDF\)](#)
[Drawing \(PDF\)](#) [RoHS Certificate of Compliance \(PDF\)](#)
[Product Specification PS-52760-015 \(PDF\)](#)

Agency Certification

UL E29179

General

Product Family PCB Receptacles
 Series [52901](#)
 Application Board-to-Board, Signal
 MolexKits Yes
 Overview [SlimStack™ 0.635mm Pitch Board-to-Board Connectors](#)
 Product Name SlimStack™
 UPC 822348176540

Physical

Circuits (Loaded) 60
 Circuits (maximum) 60
 Color - Resin White
 Durability (mating cycles max) 50
 Flammability 94V-0
 Glow-Wire Compliant No
 Lock to Mating Part Yes
 Mated Height 11.00mm, 12.00mm, 13.00mm, 14.00mm, 15.00mm, 16.00mm
 Material - Metal Phosphor Bronze
 Material - Plating Mating Gold
 Material - Plating Termination Tin
 Net Weight 1517.001/mg
 Number of Rows 2
 Orientation Vertical
 PCB Locator Yes
 PCB Retention Yes
 PCB Thickness - Recommended 1.60mm
 Packaging Type Embossed Tape on Reel
 Pitch - Mating Interface 0.64mm
 Polarized to PCB Yes
 Robotic Placement Pick and Place Cap
 Temperature Range - Operating -55°C to +85°C
 Termination Interface: Style Surface Mount

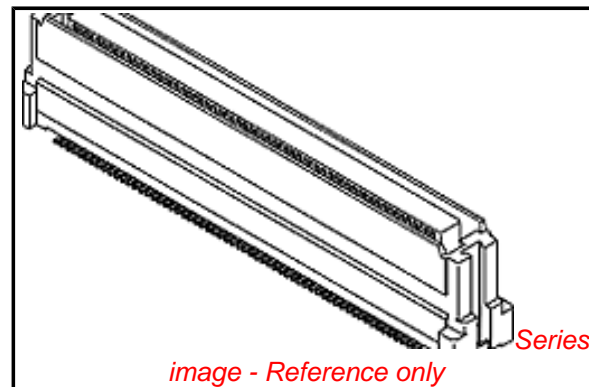
Electrical

Current - Maximum per Contact 0.5A
 Voltage - Maximum 100V

Material Info

Reference - Drawing Numbers

Packaging Specification SPK-52901-001



EU RoHS

ELV and RoHS Compliant
REACH SVHC Contains SVHC: No
Low-Halogen Status Low-Halogen

China RoHS



Need more information on product environmental compliance?

Email productcompliance@molex.com
 For a multiple part number RoHS Certificate of Compliance, [click here](#)

Please visit the [Contact Us](#) section for any non-product compliance questions.

Search Parts in this Series

[52901Series](#)

Mates With

[53475](#) , [53643](#) , [55091](#) , [53481](#) , [53625](#) , [53551](#) , [53647](#) , [53552](#) , [53649](#) , [53553](#) , [53627](#)

Product Specification
Sales Drawing

PS-52760-015, RPS-52760-028, RPS-52901-012
SD-52901-008, SD-52901-009, SD-52901-015,
SD-52901-017

This document was generated on 02/05/2015

PLEASE CHECK WWW.MOLEX.COM FOR LATEST PART INFORMATION