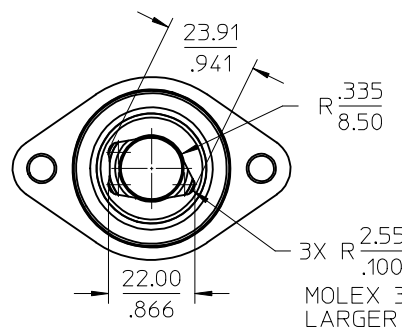
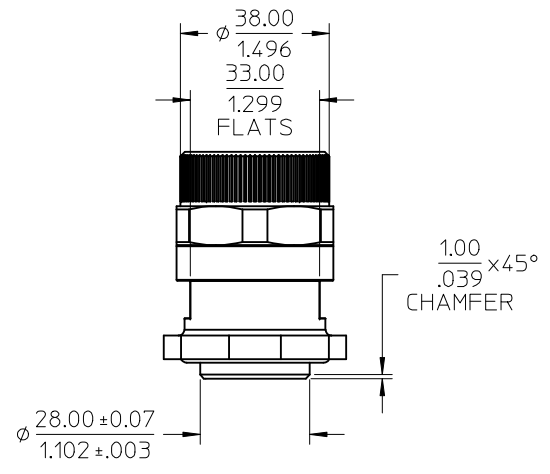
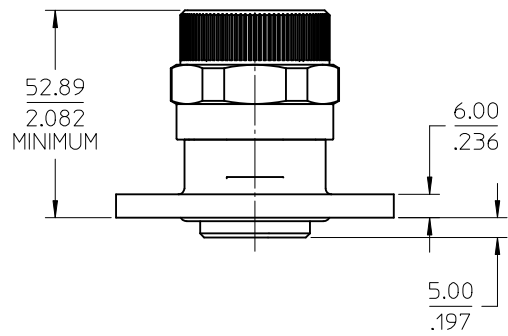
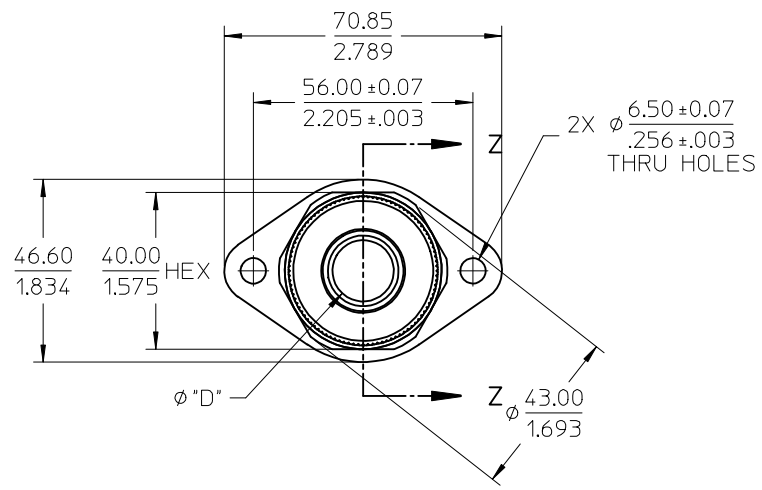


10	9	8	7	6	5	4	3	2	1
SINGLE ASSEMBLY PART NO.	KIT ASSEMBLY PART NO.	WIRE AWG	Ø"D"	GROMMET	COLOR	O-RING	COLOR		
1301990080	1301990180	3/0	15.62/15.615	HNBR	BLACK	HNBR	BLACK		
1301990280	1301990380	3/0	15.62/15.615	SILICONE	RUST RED	SILICONE	RUST RED		



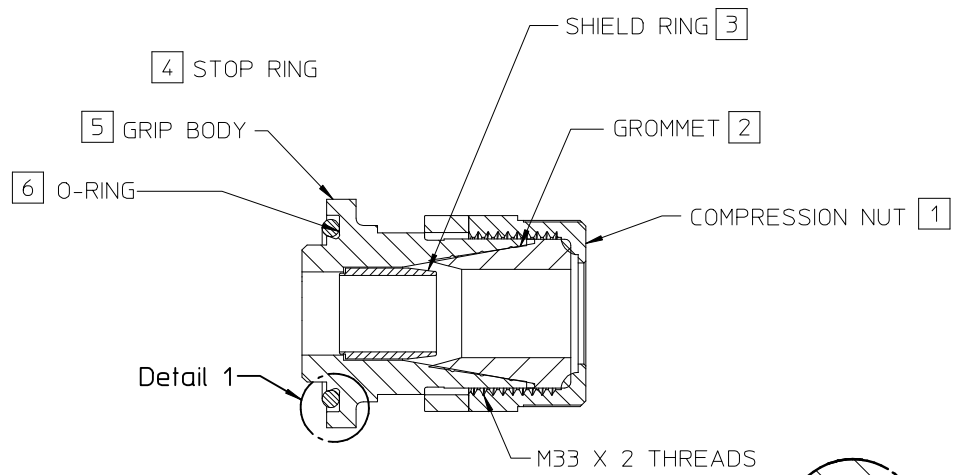
MOLEX 3/0 CABLE LUGS AND LARGER WILL NOT FIT THRU THE GRIP BODY.



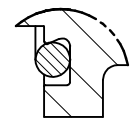
- NOTES:
- MATERIALS:
 - GRIP BODY: ALUMINUM ALLOY
 - FINISH: ELECTROLESS NICKEL PLATING
 - COMPRESSION NUT: ALUMINUM ALLOY
 - FINISH: ELECTROLESS NICKEL PLATING
 - SHIELD RING: ALUMINUM ALLOY
 - FINISH: ELECTROLESS NICKEL PLATING
 - STOP RING: ALUMINUM ALLOY
 - FINISH: ELECTROLESS NICKEL PLATING
 - GROMMET: SEE CHART
 - COLOR: SEE CHART
 - O-RING: SEE CHART
 - COLOR: SEE CHART
 - PRODUCT SPECIFICATION: PS-130199-001
 - PACKAGING SPECIFICATION: PK-130199-001
 - ASSEMBLY SPECIFICATION: AS-130199-002
 - ALL MATERIALS ARE ROHS COMPLIANT.
 - ALL DIMENSIONS ARE REFERENCE.

UPDATE TO HNBR O-RING EC NO: IPG2013-2040 DRW: WLEUNG 2013/08/26 CHK: KJ02WIK 2013/09/10 APPR: JFURPHY 2013/10/23	QUALITY SYMBOLS	GENERAL TOLERANCES (UNLESS SPECIFIED)	DIMENSION STYLE	SCALE	DESIGN UNITS	THIRD ANGLE PROJECTION																		
	$\nabla = 0$ $\nabla = 0$ $\nabla = 0$	<table border="1"> <tr> <th></th> <th>mm</th> <th>INCH</th> </tr> <tr> <td>4 PLACES</td> <td>±---</td> <td>±---</td> </tr> <tr> <td>3 PLACES</td> <td>±---</td> <td>±.015</td> </tr> <tr> <td>2 PLACES</td> <td>±0.38</td> <td>±---</td> </tr> <tr> <td>1 PLACE</td> <td>±---</td> <td>±---</td> </tr> <tr> <td>0 PLACE</td> <td>±---</td> <td>±---</td> </tr> </table>		mm	INCH	4 PLACES	±---	±---	3 PLACES	±---	±.015	2 PLACES	±0.38	±---	1 PLACE	±---	±---	0 PLACE	±---	±---	MM/IN	1:1.25	METRIC	
		mm	INCH																					
	4 PLACES	±---	±---																					
3 PLACES	±---	±.015																						
2 PLACES	±0.38	±---																						
1 PLACE	±---	±---																						
0 PLACE	±---	±---																						
REV	DESCRIPTION	ANGULAR ± 1° DRAFT WHERE APPLICABLE MUST REMAIN WITHIN DIMENSIONS	DRAWN BY: WLEUNG CHECKED BY: DTITUS APPROVED BY: DTITUS DATE: 2013/01/04 DATE: 2013/01/25 DATE: 2013/01/25	TITLE	MAXLOC SHIELDED CORD GRIP ASSEMBLY 3/0 AWG molex	MATERIAL NO. SEE CHART																		
B			SIZE B	DOCUMENT NO.	SD-130199-005	SHEET NO. 1 OF 2																		

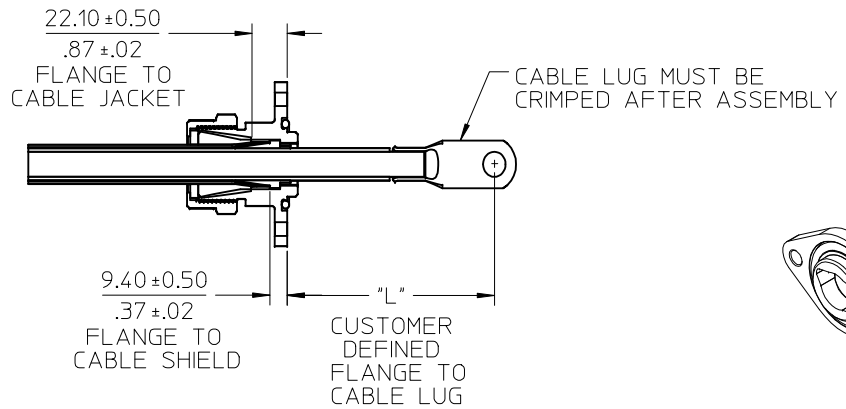
ITEM NO.	DESCRIPTION	MOLEX PART NUMBER
1	COMPRESSION NUT (3/0 AWG)	1301990098
2	GROMMET, HNBR (3/0 AWG), .710" NOM. ID	1301990086
6	GROMMET, SILICONE (3/0 AWG), .710" NOM. ID	1301990091
3	SHIELD RING (3/0 AWG)	1301990078
4	STOP RING, 9.0MM THICK	1301990073
5	GRIP BODY	1301990018
6	O-RING, HNBR	1301990096
6	O-RING, SILICONE	1301990057



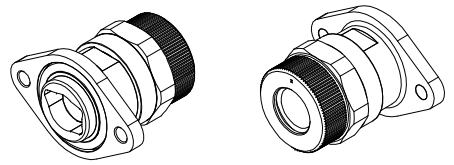
Section Z-Z



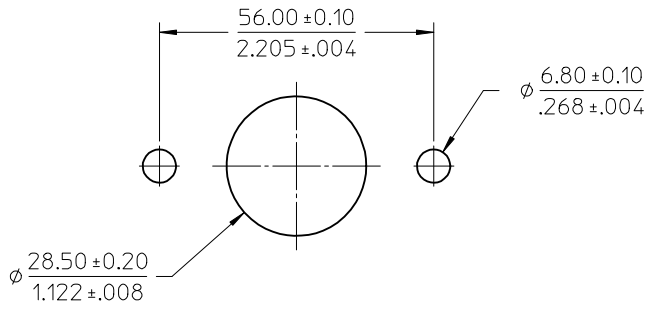
O-RING DOVETAIL FEATURE
Detail 1
Scale 2:1



WIRE STRIPPING DIMENSIONS



ISOMETRIC VIEWS
SCALE 1:2



RECOMMENDED PANEL MOUNT OPENING
SURFACE FINISH $\sqrt{3.2}$
FLATNESS TOLERANCE $\square 0.2$

UPDATE ORING ADD GROMMET NOM. ID EC NO: IPG2013-2040 DRW: WLEUNG 2013/08/26 CHK: KJ02WIK 2013/09/10 APPR: JFURPHY 2013/10/23 B	QUALITY SYMBOLS $\nabla F=0$ $\nabla E=0$ $\nabla D=0$	GENERAL TOLERANCES (UNLESS SPECIFIED) <table border="1"> <thead> <tr> <th></th> <th>mm</th> <th>INCH</th> </tr> </thead> <tbody> <tr> <td>4 PLACES</td> <td>± ---</td> <td>± ---</td> </tr> <tr> <td>3 PLACES</td> <td>± ---</td> <td>± .015</td> </tr> <tr> <td>2 PLACES</td> <td>± 0.38</td> <td>± ---</td> </tr> <tr> <td>1 PLACE</td> <td>± ---</td> <td>± ---</td> </tr> <tr> <td>0 PLACE</td> <td>± ---</td> <td>± ---</td> </tr> </tbody> </table>		mm	INCH	4 PLACES	± ---	± ---	3 PLACES	± ---	± .015	2 PLACES	± 0.38	± ---	1 PLACE	± ---	± ---	0 PLACE	± ---	± ---	DIMENSION STYLE MM/IN	SCALE 1:1	DESIGN UNITS METRIC	THIRD ANGLE PROJECTION
		mm	INCH																					
	4 PLACES	± ---	± ---																					
	3 PLACES	± ---	± .015																					
2 PLACES	± 0.38	± ---																						
1 PLACE	± ---	± ---																						
0 PLACE	± ---	± ---																						
DESCRIPTION	ANGULAR ± 1° DRAFT WHERE APPLICABLE MUST REMAIN WITHIN DIMENSIONS	DRAWN BY WLEUNG DATE 2013/01/04	CHECKED BY DTITUS DATE 2013/01/25	TITLE MAXLOC SHIELDED CORD GRIP ASSEMBLY 3/0 AWG																				
REV	MATERIAL NO. SEE CHART	APPROVED BY DTITUS DATE 2013/01/25	DOCUMENT NO. SD-130199-005	molex																				
B	SIZE B	THIS DRAWING CONTAINS INFORMATION THAT IS PROPRIETARY TO MOLEX INCORPORATED AND SHOULD NOT BE USED WITHOUT WRITTEN PERMISSION			SHEET NO. 2 OF 2																			