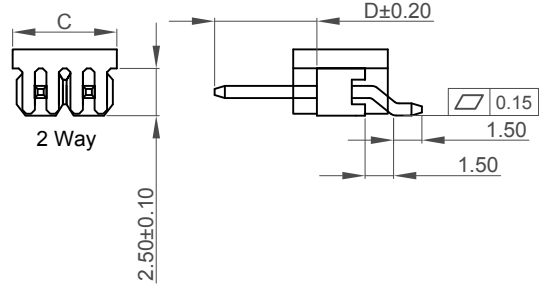
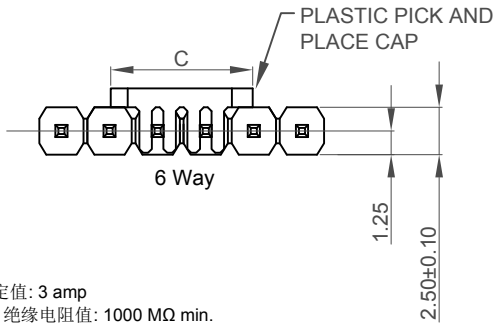
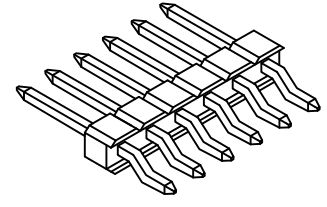


RECOMMENDED PCB LAYOUT
General Tolerance: ±0.05



CONTACTS	DIMENSIONS		
	A	B	C
02	5.08	2.54	5.50
03	7.62	5.08	7.50
04	10.16	7.62	7.50
05	12.70	10.16	7.50
06	15.24	12.70	7.50

SPECIFICATIONS 规格
CURRENT RATING 电流额定值: 3 amp
INSULATION RESISTANCE 绝缘电阻值: 1000 MΩ min.
CONTACT RESISTANCE 接触电阻值: 20 mΩ max.
DIELECTRIC WITHSTANDING 耐电压: 500V AC
OPERATING TEMPERATURE 工作温度: -40°C TO +105°C
CONTACT MATERIAL 端子物料: COPPER ALLOY
PLATING 电镀: CONTACT AREA 接触面积: 30μ" - 50μ" NICKEL UNDERPLATE, FOR PLATING SEE ORDERING GRID.
INSULATOR MATERIAL 绝缘体物料: POLYESTER 聚酯, LCP 30% GLASS FILLED, NATURAL, UL94V-0
SOLDERING PROCESS 可焊性:
 IR REFLOW 回流焊: 260°C for 10 sec.
 MANUAL SOLDER 人工焊接: 350°C for 3-5 sec

MATES WITH 配套之母座:
 BG300 - Horizontal mating - Choose 5.4mm header pin length
 BG300 - 水平交配 - 选择 5.4mm 的头脚长度
 BG306 - Perpendicular mating - Choose 4.0mm header pin length - Higher MOQ may apply
 BG306 - 垂直交配 - 选择 5.4mm 的头脚长度 - 更高MOQ可能申请

NOTES 备注:
 Standard black version BG301 is BG080
 BG301的标准黑色塑胶版本为料号为BG080

Ordering Grid

BG301 - **XX** - **X** - **XXXX** - **L** - **B** Request Samples and Quotation

No. of Contacts
02 to 06

Contact Plating
A = Gold Flash All Over
(Other plating options available on request)

Packing Options
B = Tape and Reel with Cap
(MOQ 1,000 pcs on 5.4mm post length)
(check with GCT for MOQ on 4.0mm post length)

Insulator Material
L = LCP (Natural)

Dimension D - Post Length
0400 = 4.00mm (Standard when mating with BG306)
0540 = 5.40mm (Standard when mating with BG300)
 or Specify Custom Post Length
 eg 0250 = 2.50mm

Part Number		Product Description	
BG301		2.54mm Pitch Pin Header, Single Row, Surface Mount, Horizontal, without Locating Peg, Natural LCP	
Drawing Date		7th December 2011	
By	AJO	Tolerances (Except as Noted)	Units:
Detail		Length	Metric (mm)
Revision	C1	X.X ± 0.30	 3rd Angle Projection
Date	16/12/14	X.XX ± 0.20	



This drawing is confidential and copyright of Global Connector Technology, Ltd (GCT). This drawing must not be copied or disclosed without written consent. E & OE

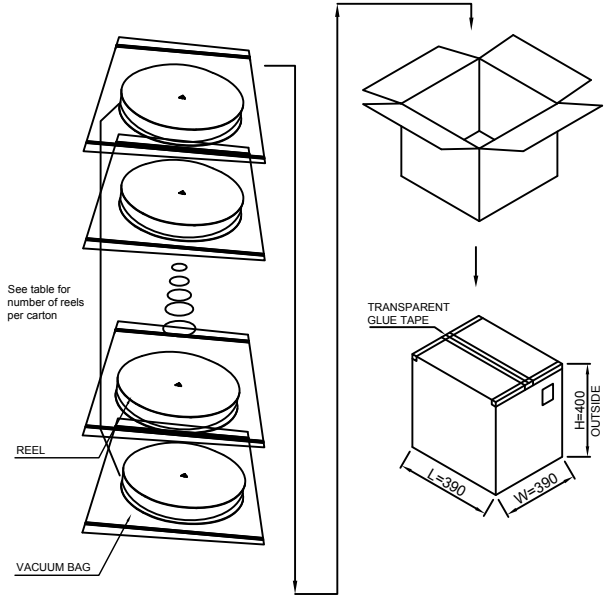
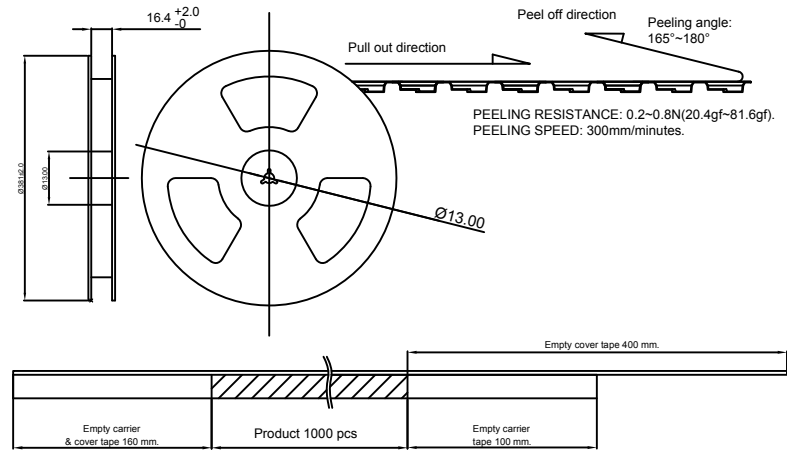
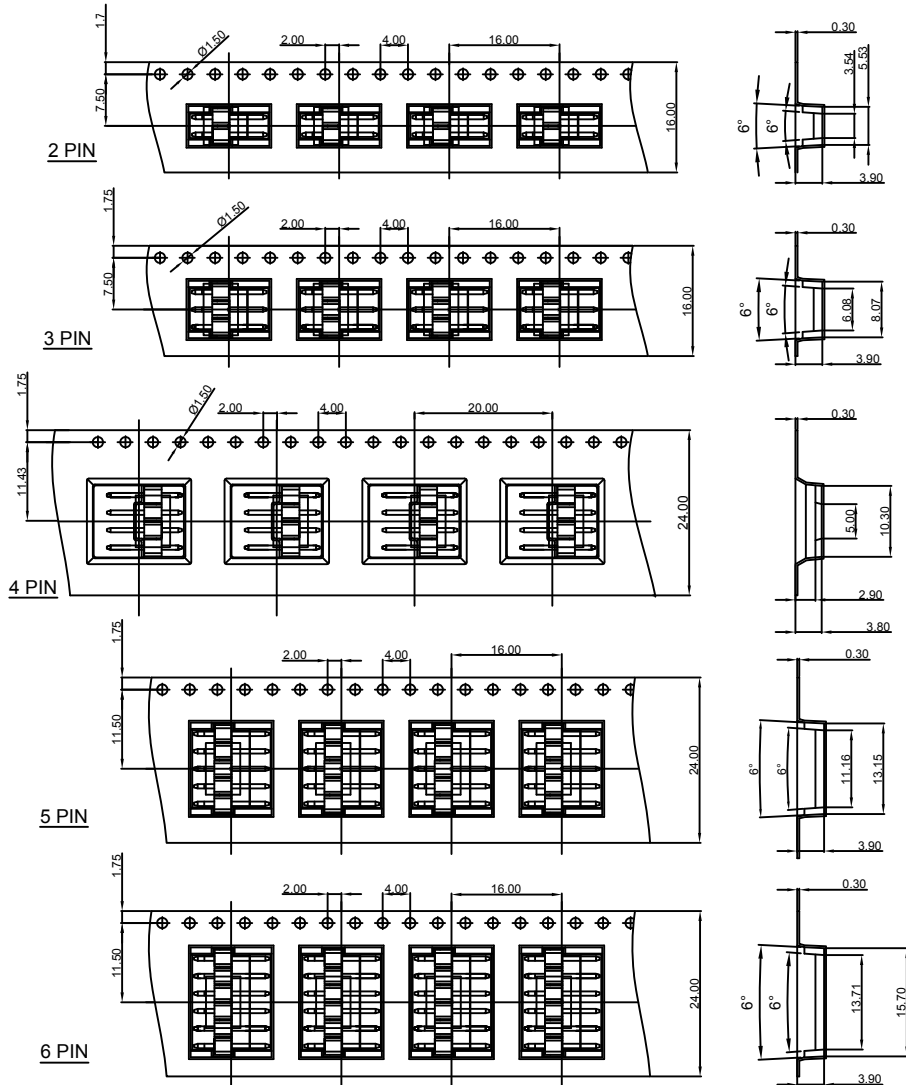
White Lite

GCT

Global Connector Technology
www.gct.co

Not to Scale	Drawn By CM	Sheet No. 1/2
--------------	-------------	---------------

FOR 5.40mm PIN LENGTH ONLY



PINS	UNITS/REEL	REELS PER CARTON	CARTON	TOTAL CARRIER TAPE LENGTH
2 & 3	1000 PCS	16	16,000	16.5 m
4	1000 PCS	10	10,000	20.7 m
5 & 6	1000 PCS	10	10,000	16.5 m

Part Number		Product Description		
BG301		2.54mm Pitch Pin Header, Single Row, Surface Mount, Horizontal, without Locating Peg, Natural LCP		
Drawing Date		7th December 2011		
By	AJO	Tolerances (Except as Noted) Length Angle	Units: Metric (mm)	
Detail	C1			
Revision	C1	X.X ± 0.30 X.XX ± 0.20	3rd Angle Projection	This drawing is confidential and copyright of Global Connector Technology, Ltd (GCT). This drawing must not be copied or disclosed without written consent. E & OE
Date	16/12/14			
Not to Scale		Drawn By CM	Sheet No. 2/2	

White Lite
GCT
Global Connector Technology
www.gct.co