



Model Number

NJ15+U4+W

Features

- 15 mm flush
- 2-wire AC
- Limit switch style housing
- Metal base 1/2" NPT

Accessories

MHW 01
Modular mounting bracket

Technical Data

General specifications

Switching element function	AC	NO/NC
Rated operating distance	s_n	15 mm
Installation		flush
Output polarity		AC
Assured operating distance	s_a	0 ... 12.15 mm
Reduction factor r_{AI}		0.3
Reduction factor r_{Cu}		0.25
Reduction factor r_{304}		0.75

Nominal ratings

Operating voltage AC		20 ... 253 V ¹⁾
Switching frequency	f	0 ... 20 Hz
Hysteresis	H	1 ... 10 typ. 5 %
Voltage drop	U_d	≤ 5 V
Momentary current (20 ms, 0.1 Hz)		0 ... 3000 mA
Operating current	I_L	8 ... 500 mA
Off-state current	I_r	0.5 ... 1.95 mA typ. 1.2 mA
Operating voltage display		LED, green
Switching state indication		LED, yellow

Ambient conditions

Ambient temperature	-25 ... 70 °C (-13 ... 158 °F)
Storage temperature	-25 ... 85 °C (-13 ... 185 °F)

Mechanical specifications

Connection type	screw terminals
Core cross-section	≤ 2.5 mm ²
Housing material	PBT/metal
Sensing face	PBT
Protection degree	IP68
Note	¹⁾ In the temperature range below 0 °C, permissible operating voltage U_b 80...253 V Safety fuse ≤ 2 A (quick-blow) according to IEC 60127-2 Sheet 1 Recommendation: after a short circuit, check that the device is functioning correctly.

General information

Supplementary information	Connection selectable as normally open or normally closed operation. Only wire one output per device.
---------------------------	--

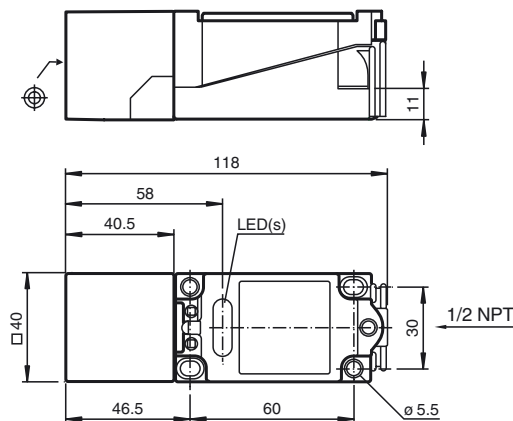
Compliance with standards and directives

Standard conformity	
Standards	EN 60947-5-2:2007 IEC 60947-5-2:2007

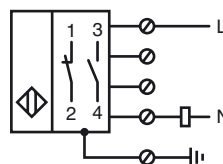
Approvals and certificates

UL approval	cULus Listed, General Purpose
CSA approval	cCSAus Listed, General Purpose
CCC approval	Certified by China Compulsory Certification (CCC)

Dimensions



Electrical Connection



Release date: 2013-08-30 14:23 Date of issue: 2013-08-30 085589_eng.xml