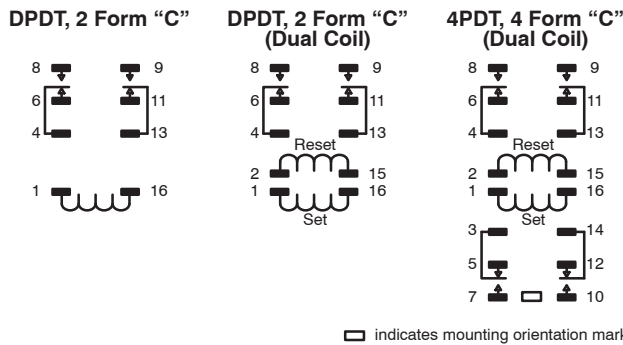
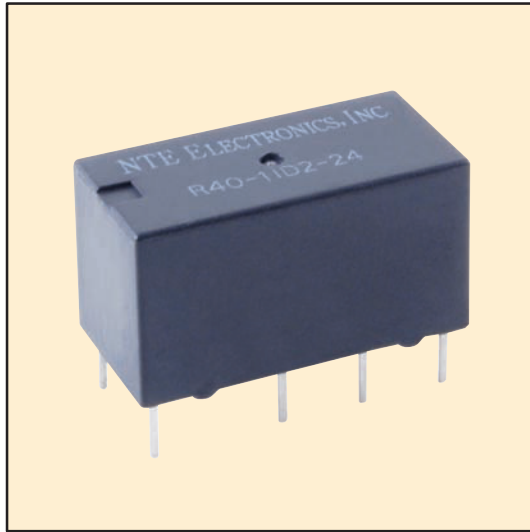


## Features

- Ultra-Sensitive Coil
- Epoxy Sealed
- Standard 0.1" DIP Terminal
- FCC Pt.68
- Dual Coil, Latching Type (C)



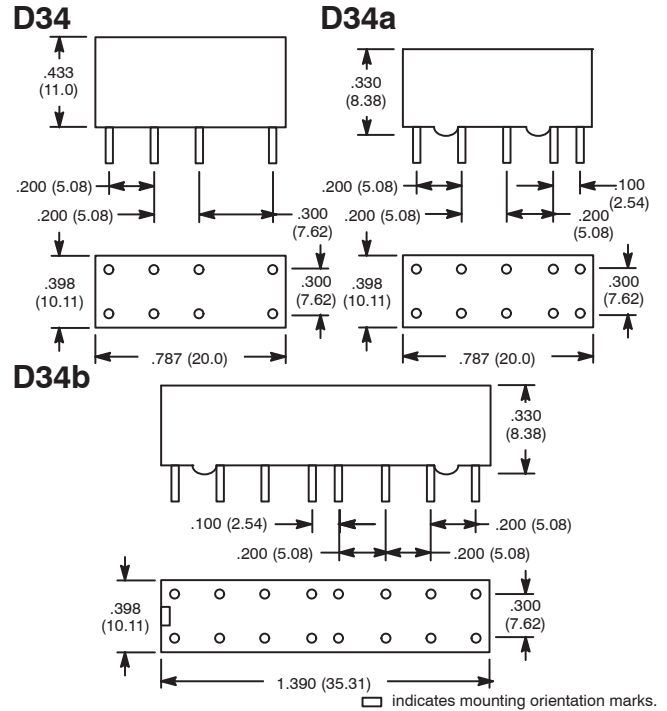
DC OPERATED						
NTE TYPE No.	Nom. Voltage	Contact Arr.	Coil Res. Ohms (Typ)	Nom. Power	Max. Contact Cur. @ 28VDC or 120VAC	Diag No.
R40-11D2-5/6	5/6VDC	DPDT	167	150mW	2A	D34
R40-11D2-5/6C	5/6VDC	DPDT	140*	180mW	2A	D34a
R40-11D2-12	12VDC	DPDT	960	150mW	2A	D34
R40-11D2-12C	12VDC	DPDT	800*	180mW	2A	D34a
R40-11D2-24	24VDC	DPDT	2880	200mW	2A	D34
R40-11D2-24C	24VDC	DPDT	3200*	180mW	2A	D34a
R40-11D2-48	48VDC	DPDT	7680	300mW	2A	D34
R40-17D2-24C	24VDC	4PDT	1800*	320mW	2A	D34b

\* Each Coil.

ACCESSORIES		
MOUNTING STYLES	DESCRIPTION	NTE TYPE NO.
DIP PC Mount	16-Lead DIP	NTE416
Wire Wrap Leads	16-Lead DIP	NTE436W16

# R40 Series

**DPDT, 2 Amp, Sensitive Coil, Single Contact PC Mountable Relay for use in Telecommunications, Computer Peripherals, and Security Equipment.**



## Electrical Specifications

### Contact

**Rating:** 2 Amp @ 120 VAC, 28 VDC (Note: U.L for 1 Amp Only)  
**Contact Material:** Gold Clad Palladium Rutenium Alloy  
**Contact Resistance:** 100M<sup>o</sup> Max.

### Coil

**Coil Voltages:** See Chart  
**Pick-up Voltage:** 70% of rated voltage  
**Max Allowable Voltage:** 130% of rated voltage

### Operational Characteristics

**Timing Value . . . . . Operate Time:** 4.5 mS approx.  
**Release Time:** 1.5 mS approx.  
**Bounce Time:** 3.5 mS approx. (Non-Latching)  
 50 mS approx. (Latching)  
**Set Time:** 5 mS approx. (DPDT, Latching)  
 7 mS approx. (4PDT, Latching)  
**Reset Time:** 5 mS approx. (DPDT, Latching)  
 7 mS approx. (4PDT, Latching)

### Insulation Characteristics

**Dielectric Strength**  
**Contact To Coil:** 1000 VRMS  
**Across Open Contacts:** 1000 VRMS  
**Insulation Resistance:** 100 M<sup>o</sup> Min.  
 @ 500 VDC

### Environmental Characteristics

**Operating:** -40°C to +65°C  
**Mechanical Life:** 10,000,000 operations min  
**Electrical Life:** 300,000 @ 2A, 30 VDC  
 500,000 @ 0.5A, 120 VAC

### Weight

**Std:** 6 gram approx.