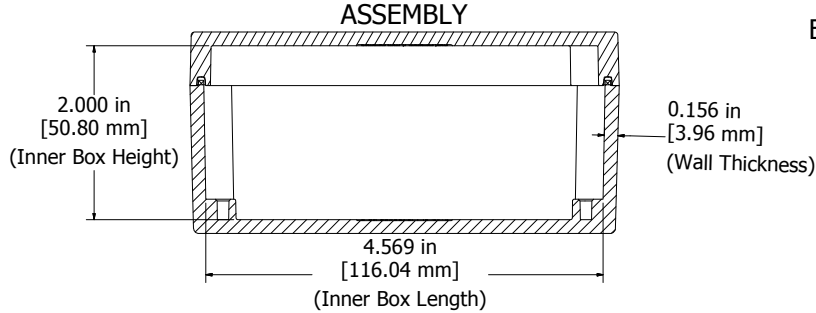
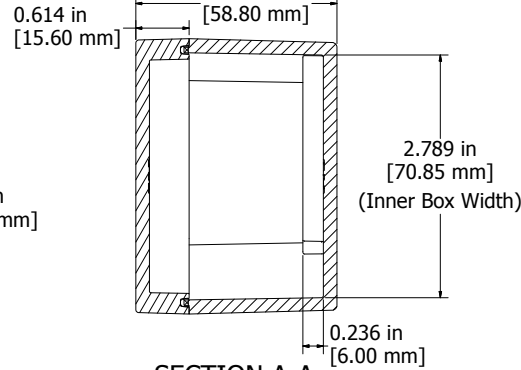
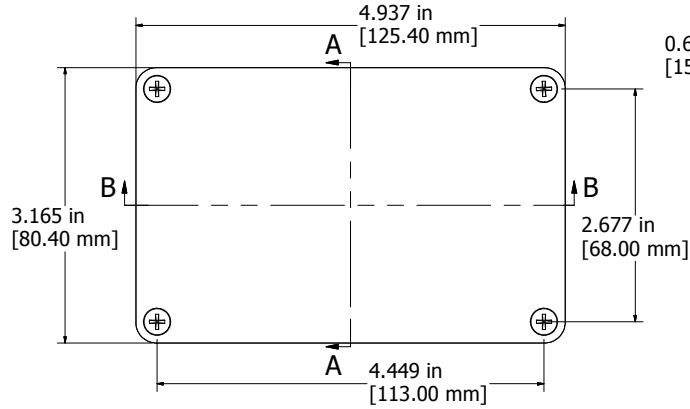


8 7 6 5 4 3 2 1



SECTION B-B
Side View of Assembly

SECTION A-A
End View of Assembly

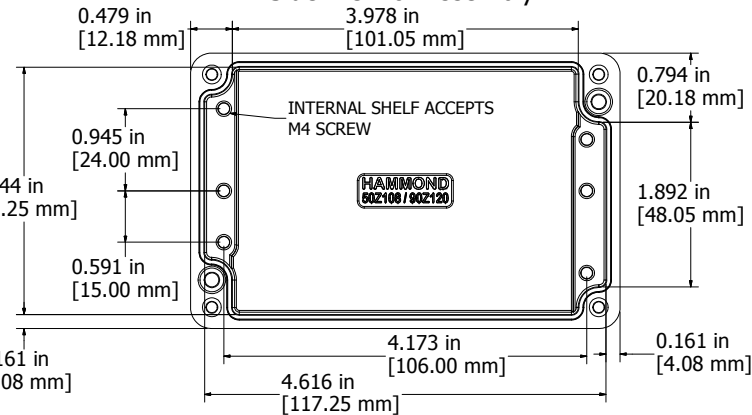
UL US LISTED
File #E71073
NEMA 4, 4X

Enclosures can be Factory Modified (Milling, Drilling, Printing etc.)
Contact Factory mjm@hammondmfg.com for quotes
Solid models of this enclosure available in STEP or IGES.

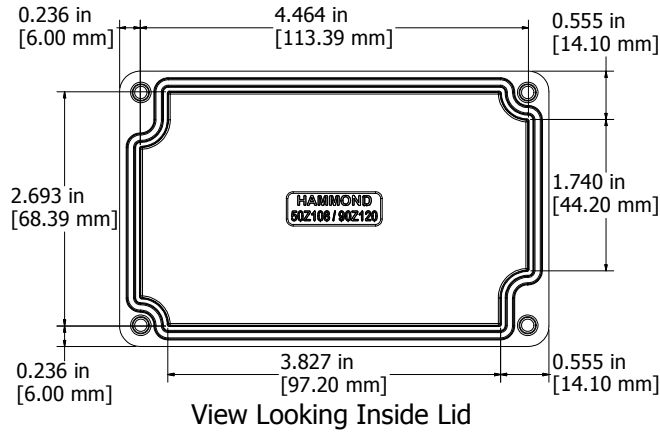
NOTES	
Purchased assembly includes enclosure, M4x25 lid screws and Pre-formed Silicone Gasket	
Cover screws should be torqued to 5-7.5 lbf.in (50-75 cN.m)	

1550Z108 PART NUMBERS	
Natural Finish Enclosure	1550Z108
Black Textured Enclosure	1550Z108BK

**HAMMOND
MANUFACTURING**™
1550Z108
www.hammondmfg.com



Top View Looking Inside Box



View Looking Inside Lid

8 7 6 5 4 3 2 1