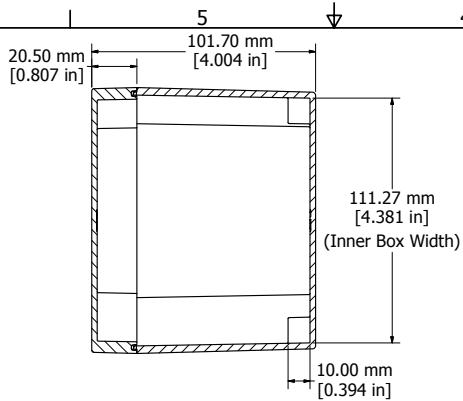
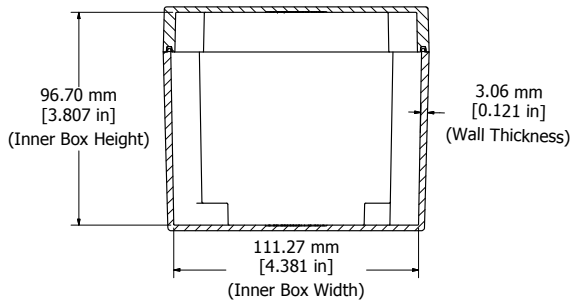
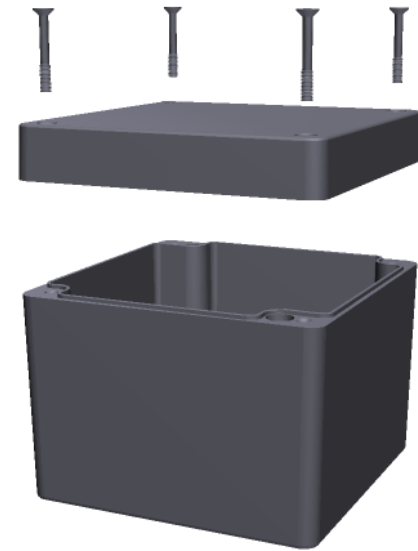


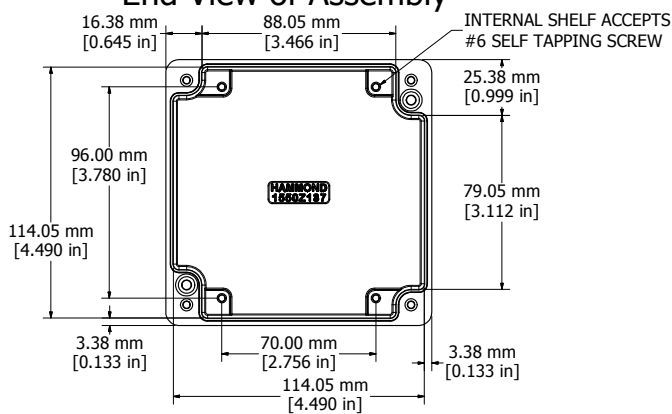
ASSEMBLY



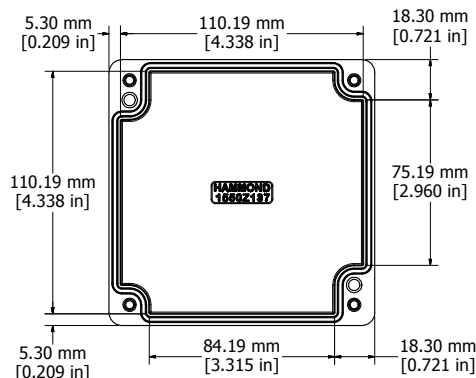
SECTION A-A
End View of Assembly



SECTION B-B
End View of Assembly



Top View Looking Inside Box



View Looking Inside Lid



File #E71073
NEMA 4, 4X

Enclosures can be Factory Modified (Milling, Drilling, Printing etc.)
Contact Factory mjm@hammondmfg.com for quotes
Solid models of this enclosure available in STEP or IGES.

NOTES

- Purchased assembly includes enclosure, M4x30 lid screws and Pre-formed Silicone Gasket
- Cover screws should be torqued to 5-7.5 lbf.in (50-75 cN.m)

1550Z137	
PART NUMBERS	
Natural Finish Enclosure	1550Z137
Black Textured Enclosure	1550Z137BK



1550Z137

www.hammondmfg.com