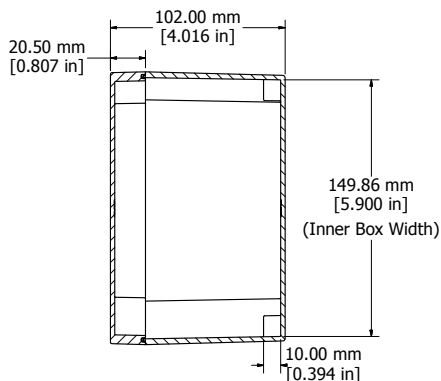
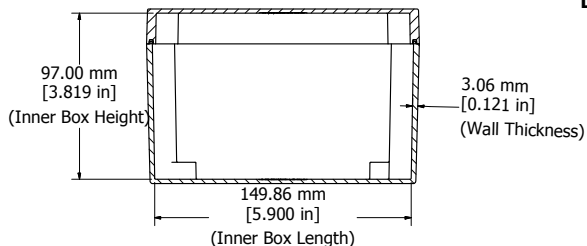


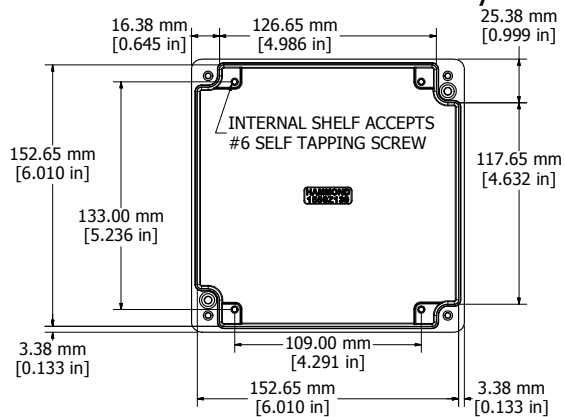
**ASSEMBLY**



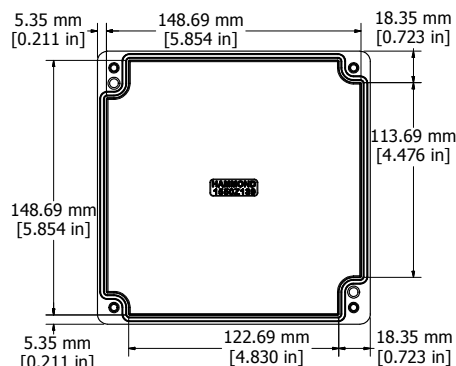
**SECTION A-A**  
End View of Assembly



**SECTION R-R**  
Side View of Assembly



**Top View Looking Inside Box**



**View Looking Inside Lid**



File #E71073  
NEMA 4, 4X

Enclosures can be Factory Modified ( Milling, Drilling, Printing etc. )  
Contact Factory [mjm@hammondmfg.com](mailto:mjm@hammondmfg.com) for quotes  
Solid models of this enclosure available in STEP or IGES.

**NOTES**

- Purchased assembly includes enclosure, M4x30 lid screws and Pre-formed Silicone Gasket
- Cover screws should be torqued to 5-7.5 lbf.in (50-75 cN.m)

**1550Z139**

**PART NUMBERS**

Natural Finish Enclosure	1550Z139
Black Textured Enclosure	1550Z139BK



**1550Z139**

[www.hammondmfg.com](http://www.hammondmfg.com)