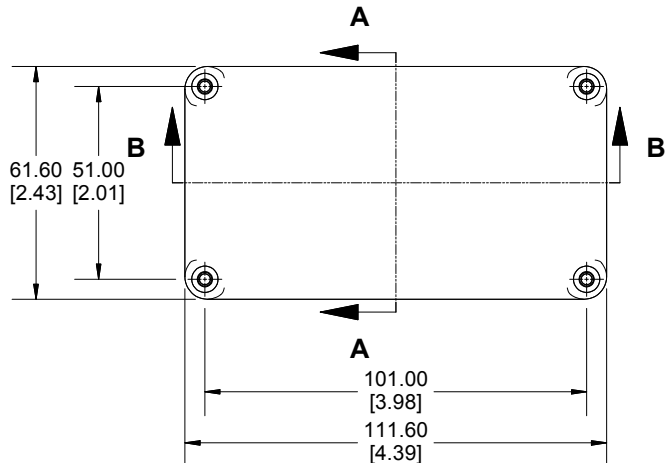
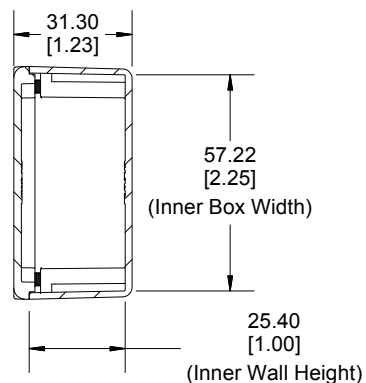


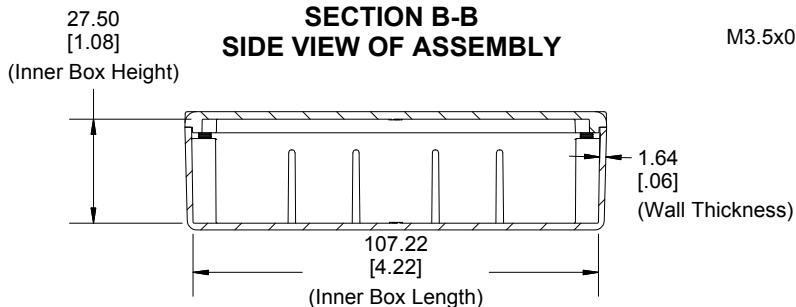
**TOP VIEW OF ASSEMBLY**



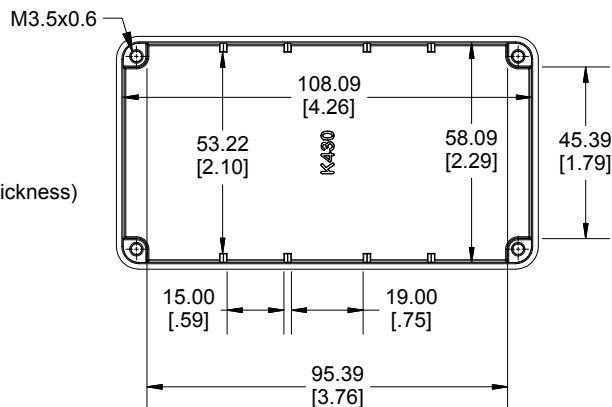
**SECTION A-A  
END VIEW OF ASSEMBLY**



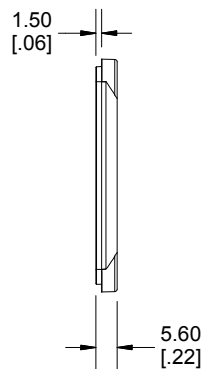
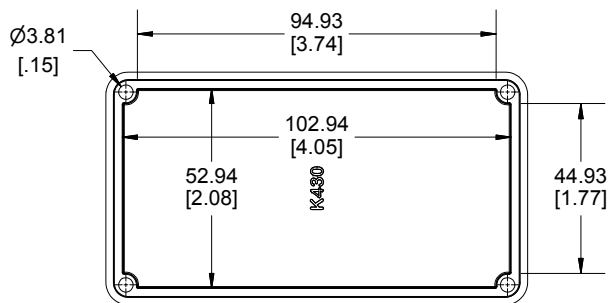
**SECTION B-B  
SIDE VIEW OF ASSEMBLY**



**BOX - INSIDE VIEW**



**LID - INSIDE VIEW**



Enclosures can be Factory Modified ( Milling, Drilling, Printing etc.)  
Contact Factory [mjm@hammondmfg.com](mailto:mjm@hammondmfg.com) for quotes  
Solid models of this enclosure available in STEP or IGES.

PART NUMBERS	
1590K430 Enclosure	
Natural Finish Enclosure	1590K430
ACCESSORIES	
Recommended Torque: 75 ozf.in / 55 cN.m	
Plated Cover Screws (Pkg 100) [M3.5 x 12mm]	1550MS100

**HAMMOND  
MANUFACTURING™**

**1590K430**

[www.hammondmfg.com](http://www.hammondmfg.com)

Dimensions:  
mm  
[inches]