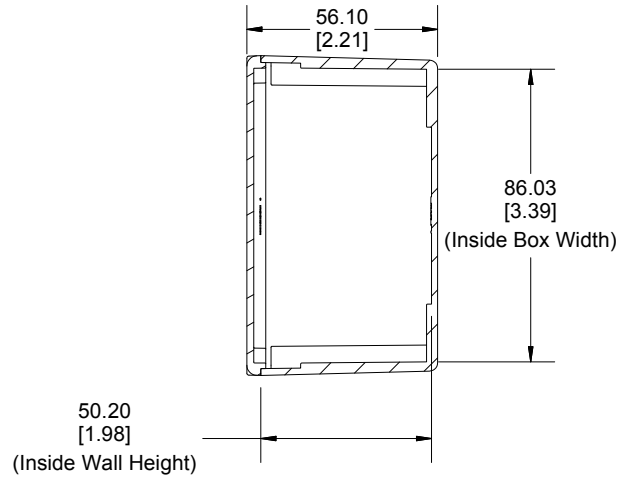
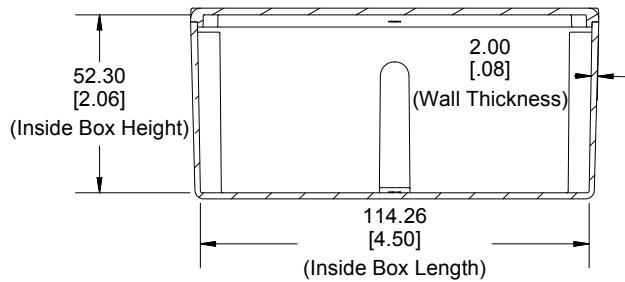


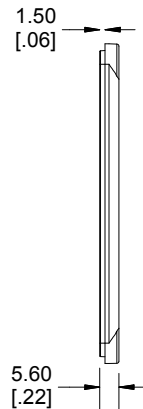
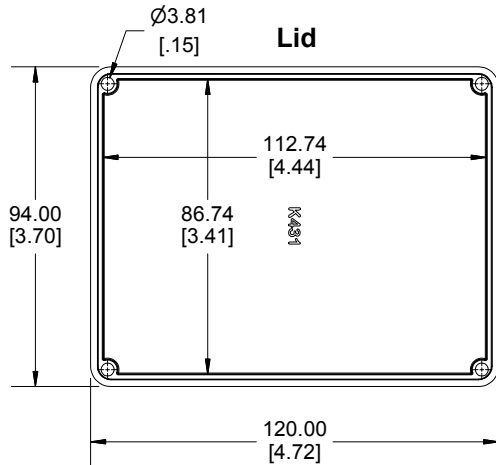
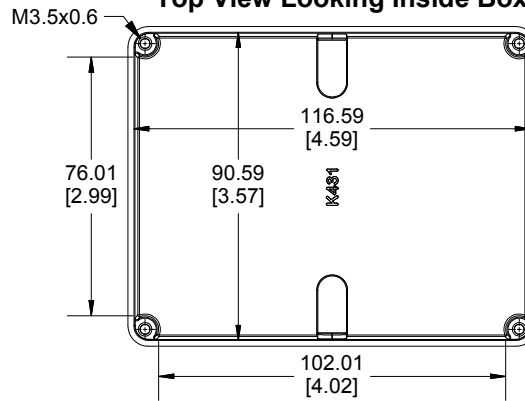
**SECTION A-A
End View of Assembly**



**SECTION B-B
Side View of Assembly**



Top View Looking Inside Box



Enclosures can be Factory Modified (Milling, Drilling, Printing etc.)
Contact Factory mjm@hammondmfg.com for quotes
Solid models of this enclosure available in STEP or IGES.

NOTE	
Purchased assembly includes box, lid and 4 cover screws. Box and lid are made from Diecast Zinc Alloy.	
PART NUMBERS	
1590K431 Enclosure	
Natural Finish Enclosure	1590K431
ACCESSORIES	
Recommended Torque: 75 ozf.in / 55 cN.m	
Plated Cover Screws (Pkg 100) [M3.5 x 12mm]	1550MS100

**HAMMOND
MANUFACTURING™**

1590K431

www.hammondmfg.com

Dimensions:
mm
[inches]