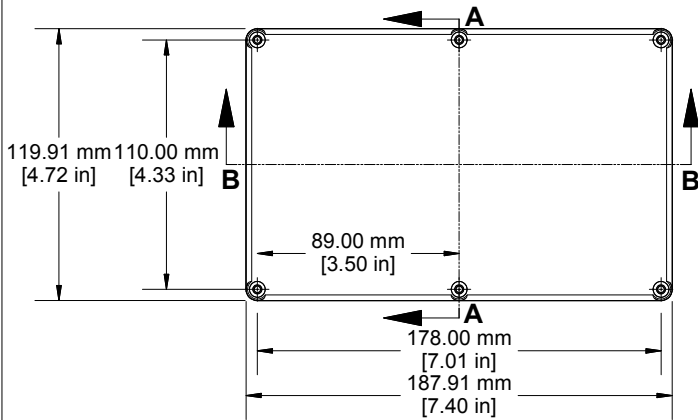
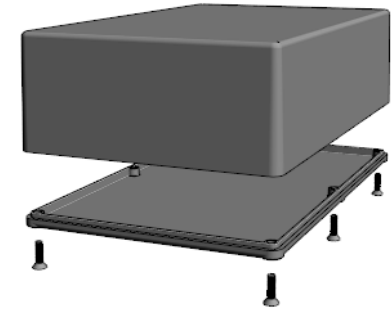
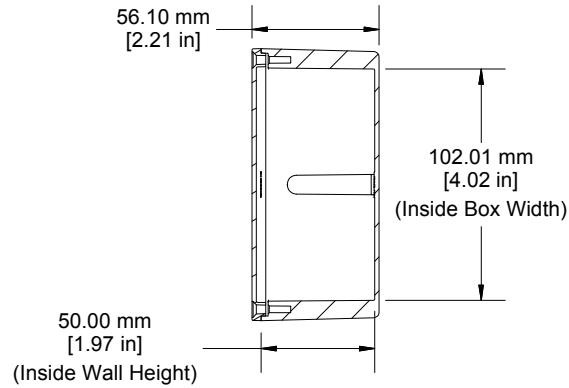


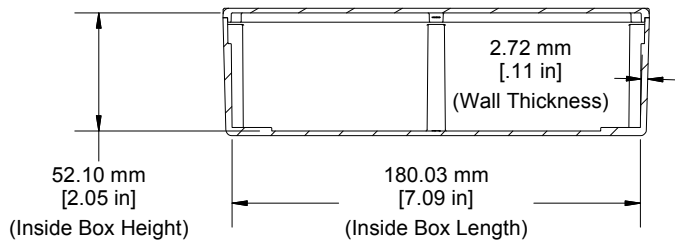
Top View of Assembly



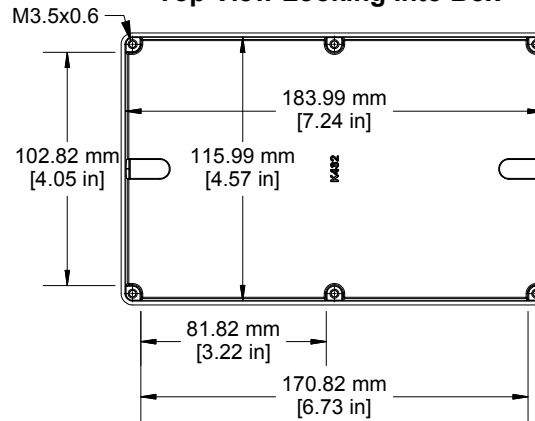
**SECTION A-A
End View of Assembly**



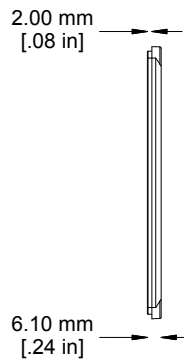
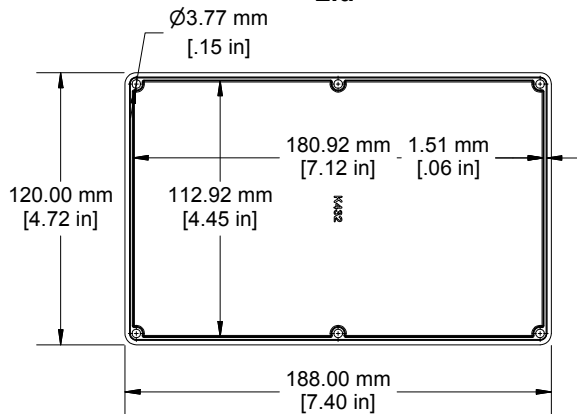
**SECTION B-B
Side View of Assembly**



Top View Looking Into Box



Lid



Enclosures can be Factory Modified (Milling, Drilling, Printing etc.)
Contact Factory mjm@hammondmfg.com for quotes
Solid models of this enclosure available in STEP or IGES.

NOTE

Purchased assembly includes box, lid and 6 cover screws.
Box and lid are made from Diecast Zinc Alloy.

PART NUMBERS

1590K432 Enclosure

Natural Finish Enclosure

1590K432

ACCESSORIES

Recommended Torque: 75 ozf.in / 55 cN.m

Plated Cover Screws (Pkg 100)

1550MS100

[M3.5 x 12mm]



**HAMMOND
MANUFACTURING™**

1590K432

www.hammondmfg.com

Dimensions:
mm
[inches]