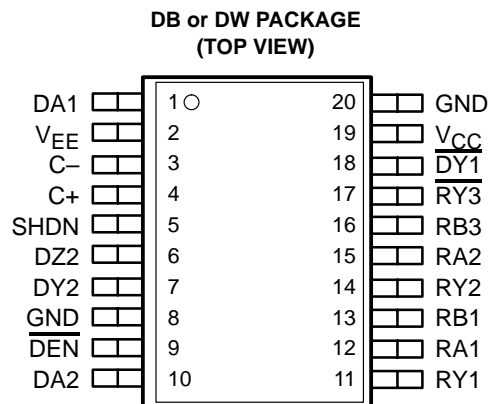


- Single-Chip Interface Solution for the 9-terminal GeoPort™ Host (DTE)
- Designed to Operate up to 4 Mbit/s Full Duplex
- Single 5-V Supply Operation
- 6-kV ESD Protection on All Terminals
- Backward compatible With AppleTalk™ and LocalTalk™
- Combines Multiple Components into a Single-chip Solution
- Complements the SN75LBC777 9-Terminal GeoPort Peripheral (DCE) Interface Device
- LinBiCMOS™ Process Technology



description

The SN75LBC776 is a low-power LinBiCMOS device that incorporates the drivers and receivers for a 9-pin GeoPort host interface. GeoPort combines hybrid EIA/TIA-422-B and EIA/TIA-423-B drivers and receivers to transmit data up to four megabits per second (Mbit/s) full duplex. GeoPort is a serial communications standard that is intended to replace the RS-232, Appletalk, and LocalTalk printer ports all in one connector in addition to providing real-time data transfer capability. It provides point-to-point connections between GeoPort-compatible devices with data transmission rates up to 4 Mbit/s full duplex and a hot-plug feature. Applications include connection to telephony, integrated services digital network (ISDN), digital sound and imaging, fax-data modems, and other serial and parallel connections. The GeoPort is backwardly compatible to both LocalTalk and AppleTalk.

While the SN75LBC776 is powered-off ($V_{CC} = 0$) the outputs are in a high-impedance state. When the shutdown (SHDN) terminal is high, the charge pump is powered down and the outputs are in a high-impedance state. The driver enable (\overline{DEN}) terminal sends the outputs of the differential driver into a high-impedance state with a high input signal. All drivers and receivers have fail-safe mechanisms to ensure a high output state when the inputs are left open.

A switched-capacitor voltage converter generates the negative voltage required from a single 5-V supply using four 0.1- μ F capacitors, two capacitors between the C+ and C- terminals and two capacitors between V_{EE} and ground.

The SN75LBC776 is characterized for operation over the 0°C to 70°C temperature range.



Please be aware that an important notice concerning availability, standard warranty, and use in critical applications of Texas Instruments semiconductor products and disclaimers thereto appears at the end of this data sheet.

GeoPort, LocalTalk, and AppleTalk are trademarks of Apple Computer, Incorporated.
LinBiCMOS is a trademark of Texas Instruments Incorporated.

PRODUCTION DATA information is current as of publication date. Products conform to specifications per the terms of Texas Instruments standard warranty. Production processing does not necessarily include testing of all parameters.



www.ti.com

Copyright © 2002, Texas Instruments Incorporated

SN75LBC776 SINGLE-CHIP GeoPort™ TRANSCEIVER

SLLS221B – NOVEMBER 1995 – REVISED MARCH 2002

DRIVER FUNCTION TABLE†

INPUT DA1	INPUT DA2	ENABLE SHDN	ENABLE DEN	OUTPUT DY1	OUTPUT	
					DY2	DZ2
H	X	L	X	L	X	X
L	X	L	X	H	X	X
X	H	L	L	X	H	L
X	L	L	L	X	L	H
OPEN	OPEN	L	L	L	H	L
X	X	H	X	Z	Z	Z
X	X	X	H	X	Z	Z
X	X	OPEN	OPEN	Z	Z	Z

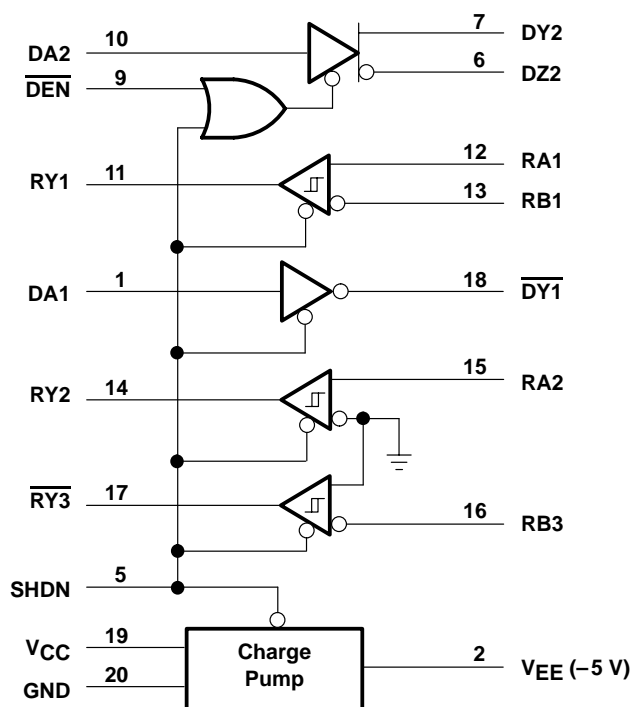
† H = high level L = low level X = irrelevant ? = indeterminate Z = high impedance (off)

RECEIVER FUNCTION TABLE†

INPUT RA1 RB1		INPUT RA2 & RB3	ENABLE SHDN	OUTPUT RY1	OUTPUT RY2	OUTPUT RY3
H	L					
L	H	L	L	L	L	H
OPEN	OPEN	OPEN	L	H	H	H
SHORT‡	SHORT‡	SHORT‡	L	?	?	?
X	X	X	H	Z	Z	Z
X	X	X	OPEN	Z	Z	Z

† H = high level L = low level X = irrelevant ? = indeterminate Z = high impedance (off)
‡ $-0.2\text{ V} < V_{ID} < 0.2\text{ V}$

function logic diagram (positive logic)



absolute maximum ratings over operating free-air temperature range (unless otherwise noted)†

Positive supply voltage range, V_{CC} (see Note 1)	–0.5 to 7 V
Negative supply voltage range, V_{EE} (see Note 1)	–7 to 0.5 V
Receiver input voltage range (RA, RB)	–15 V to 15 V
Receiver differential input voltage range, V_{ID}	–12 to 12 V
Receiver output voltage range (RY)	–0.5 V to 5.5 V
Driver output voltage range (Power Off) ($\overline{DY1}$, DY2, DZ2)	–15 V to 15 V
Driver output voltage range (Power On) ($\overline{DY1}$, DY2, DZ2)	–11 V to 11 V
Driver input voltage range (DA, SHND, \overline{DEN})	–0.5 V to $V_{CC} + 0.4$ V
Continuous total power dissipation	See Dissipation Rating Table
Electrostatic discharge (see Note 2): (Bus terminals), Class 3, A	6 kV
(Bus terminals), Class 3, B	500 V
(All terminals), Class 3, A	6 kV
(All terminals), Class 3, B	500 V
Operating free-air temperature range, T_A	0°C to 70°C
Storage temperature range, T_{stg}	–65°C to 150°C
Lead temperature 1,6 mm (1/16 inch) from case for 10 seconds	260°C

† Stresses beyond those listed under “absolute maximum ratings” may cause permanent damage to the device. These are stress ratings only, and functional operation of the device at these or any other conditions beyond those indicated under “recommended operating conditions” is not implied. Exposure to absolute-maximum-rated conditions for extended periods may affect device reliability.

- NOTES: 1. All voltage values are with respect to network ground terminal unless otherwise noted.
2. This parameter is measured in accordance with MIL-STD-883C, Method 3015.7.

DISSIPATION RATING TABLE

PACKAGE	$T_A \leq 25^\circ\text{C}$ POWER RATING	OPERATING FACTOR ABOVE $T_A = 25^\circ\text{C}$	$T_A = 70^\circ\text{C}$ POWER RATING
DB	1035 mW	8.3 mW/°C	660 mW
DW	1125 mW	9.0 mW/°C	720 mW

SN75LBC776 SINGLE-CHIP GeoPort™ TRANSCEIVER

SLLS221B – NOVEMBER 1995 – REVISED MARCH 2002

recommended operating conditions

		MIN	NOM	MAX	UNIT
Supply voltage, V_{CC}		4.75	5	5.25	V
High-level input voltage, V_{IH}	DA, SHDN, \overline{DEN}	2		5.25	V
Low-level input voltage, V_{IL}	DA, SHDN, \overline{DEN}			0.8	V
Receiver common-mode input voltage, V_{IC}		-7		7	V
Receiver differential input voltage, V_{ID}		-12		12	V
Voltage-converter filter capacitance		0.2			μ F
Voltage-converter filter-capacitor equivalent series resistance (ESR)				0.2	Ω
Operating free-air temperature, T_A		0		70	$^{\circ}$ C

driver electrical characteristics over operating free-air temperature range (unless otherwise noted)

PARAMETER		TEST CONDITIONS		MIN	TYP	MAX	UNIT
V_{OH}	High-level output voltage	Single ended, See Figure 1	$R_L = 12\text{ k}\Omega$	3.6	4.53		V
			$R_L = 120\ \Omega$	2	3.63		V
V_{OL}	Low-level output voltage		$R_L = 12\text{ k}\Omega$		-4.53	-3.6	V
			$R_L = 120\ \Omega$		-2.7	-1.8	V
$ V_{OD} $	Magnitude of differential output voltage $ V(DY) - V(DZ) $	$R_L = 120\ \Omega$, See Figure 2		4			V
$\Delta V_{OD} $	Change in differential voltage magnitude				250		mV
V_{OC}	Common-mode output voltage	See Figure 3		-1		3	V
$ \Delta V_{OC(SS)} $	Magnitude of change, common-mode steady state output voltage					200	mV
$ \Delta V_{OC(PP)} $	Magnitude of change, common-mode peak-to-peak output voltage				700		mV
I_{CC}	Supply current	SHDN = $\overline{DEN} = 0\text{ V}$, No load		7	15		mA
		SHDN = $\overline{DEN} = 5\text{ V}$, No load				100	μ A
I_{OZ}	High-impedance output current	$V_O = -10\text{ V to }10\text{ V}$, $V_{CC} = 0\text{ or }5\text{ V}$				± 100	μ A
I_{OS}	Short-circuit output current (see Note 3)	$V_O = -5\text{ V to }5\text{ V}$		± 170	± 450		mA

NOTE 3: Not more than one output should be shorted at one time.

driver switching characteristics over operating free-air temperature range (unless otherwise noted)

PARAMETER		TEST CONDITIONS	MIN	TYP	MAX	UNIT	
t _{PHL}	Propagation delay time, high-to-low level output	Single ended, See Figure 4		42	75	ns	
t _{PLH}	Propagation delay time, low-to-high level output			41	75	ns	
t _{PZL}	Driver output enable time to low-level output		SHDN		25	100	μs
t _{PZH}	Driver output enable time to high-level output				25	100	μs
t _{PLZ}	Driver output disable time from low-level output		SHDN		28	100	ns
t _{PHZ}	Driver output disable time from high-level output				37	100	ns
t _r	Rise time			10	25	75	ns
t _f	Fall time			10	23	75	ns
t _{PHL}	Propagation delay time, high-to-low level output		Differential, See Figure 5		40	75	ns
t _{PLH}	Propagation delay time, low-to-high level output				42	75	ns
t _{PZL}	Driver output enable time to low-level output	SHDN			25	100	μs
		$\overline{\text{DEN}}$			29	150	ns
t _{PZH}	Driver output enable time to high-level output	SHDN			25	100	μs
		$\overline{\text{DEN}}$			35	150	ns
t _{PLZ}	Driver output disable time from low-level output	SHDN			28	100	ns
		$\overline{\text{DEN}}$			34	100	ns
t _{PHZ}	Driver output disable time from high-level output	SHDN			37	100	ns
		$\overline{\text{DEN}}$			34	100	ns
t _r	Rise time			10	27	75	ns
t _f	Fall time			10	26	75	ns
t _{SK(p)}	Pulse skew, t _{PLH} – t _{PHL}					22	ns

receiver electrical characteristics over operating free-air temperature range (unless otherwise noted)

PARAMETER		TEST CONDITIONS	MIN	TYP	MAX	UNIT
V _{IT+}	Positive-going input threshold voltage	See Figure 6			200	mV
V _{IT-}	Negative-going input threshold voltage			-200		
V _{hys}	Differential input voltage hysteresis (V _{IT+} – V _{IT-})				50	mV
V _{OH}	High-level output voltage (see Note 4)	V _{IC} = 0, I _{OH} = -2 mA, See Figure 6	2	4.9		V
V _{OL}	Low-level output voltage	V _{IC} = 0, I _{OL} = 2 mA, See Figure 6		0.2	0.8	V
I _{OS}	Short-circuit output current	V _O = 0	-85	-45		mA
		V _O = V _{CC}		47	+85	
R _I	Input resistance	V _{CC} = 0 or 5.25 V, V _I = -12 V to 12 V	6	30		kΩ

NOTE 4: When the inputs are left unconnected, receivers one and two interpret these as high-level inputs and receiver three interprets these as low-level inputs so that all outputs are at a high level.

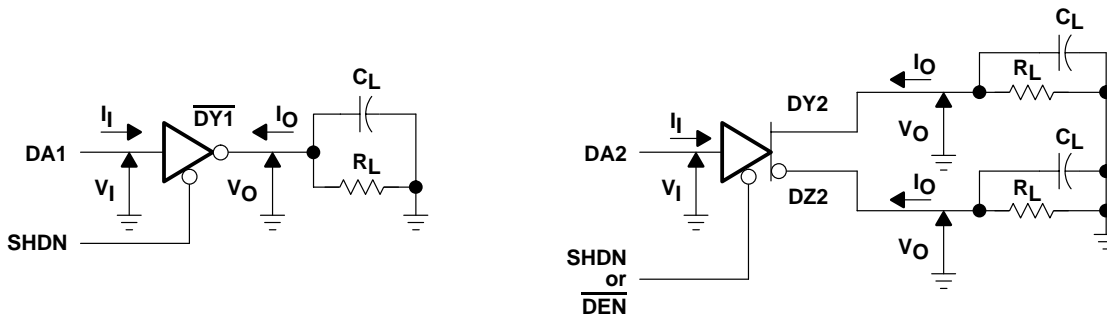
SN75LBC776 SINGLE-CHIP GeoPort™ TRANSCEIVER

SLLS221B – NOVEMBER 1995 – REVISED MARCH 2002

receiver switching characteristics over operating free-air temperature range (unless otherwise noted)

PARAMETER		TEST CONDITIONS	MIN	TYP	MAX	UNIT
t _{PHL}	Propagation delay time, high-to-low-level output	R _L = 2 kΩ, See Figure 6	C _L = 15 pF,	31	75	ns
t _{PLH}	Propagation delay time, low-to-high level output			30	75	ns
t _r	Rise time			15	30	ns
t _f	Fall time			15	30	ns
t _{SK(P)}	Pulse skew t _{PLH} –t _{PHL}				20	ns
t _{PZL}	Receiver output enable time to low level output	Differential, See Figure 7	C _L =50 pF,	35	100	ns
t _{PZH}	Receiver output enable time to high level output			32	100	ns
t _{PLZ}	Receiver output disable time from low level output			21	100	ns
t _{PHZ}	Receiver output disable time from high level output			21	100	ns
t _{PZL}	Receiver output enable time to low level output	Single ended, See Figure 7	C _L =50 pF,	12	25	μs
t _{PZH}	Receiver output enable time to high level output			12	25	μs
t _{PLZ}	Receiver output disable time from low level output			25	100	ns
t _{PHZ}	Receiver output disable time from high level output			125	400	ns

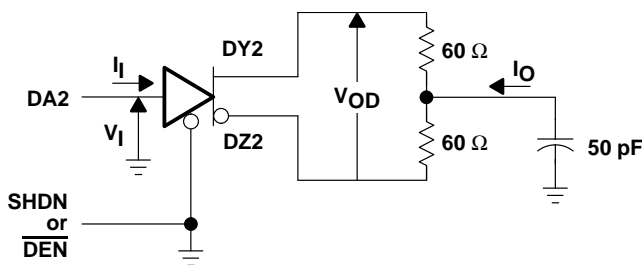
PARAMETER MEASUREMENT INFORMATION



NOTE A: $C_L = 50 \text{ pF}$

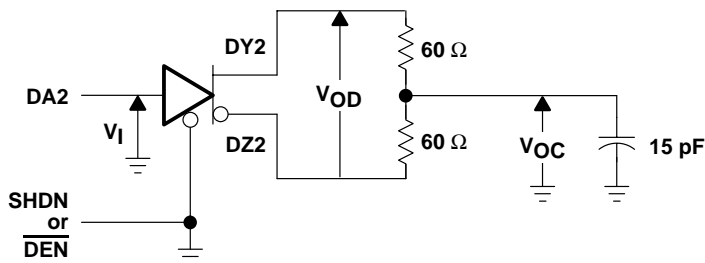
TEST CIRCUIT

Figure 1. Single-Ended Driver DC Parameter Test

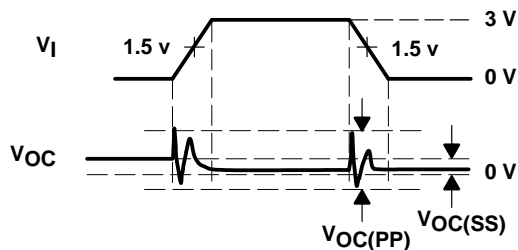


TEST CIRCUIT

Figure 2. Differential Driver DC Parameter Test



TEST CIRCUIT (see Note A)



VOLTAGE WAVEFORM

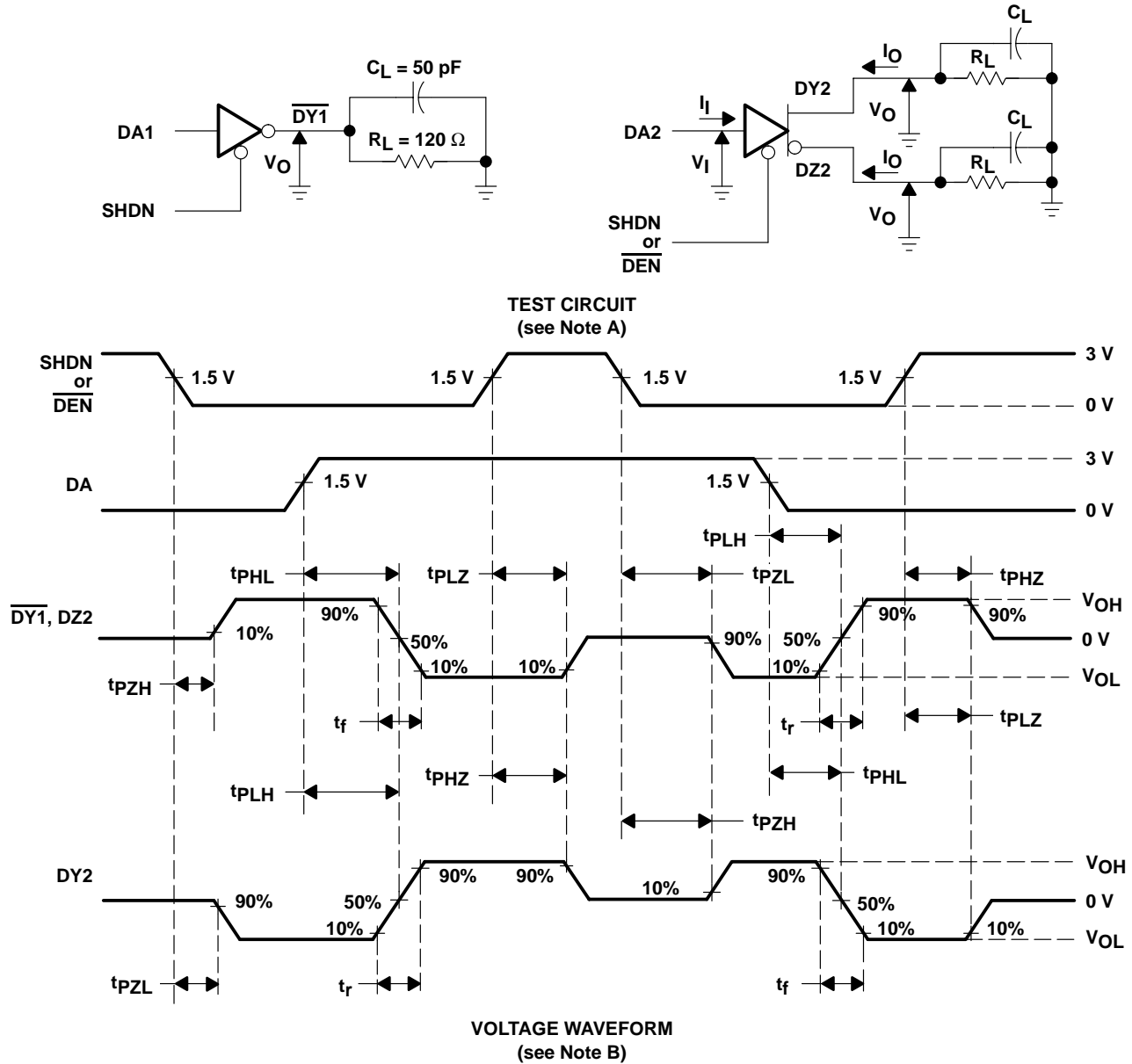
NOTE A: Measured 3dB bandwidth = 300 MHz

Figure 3. Differential-Driver Common-Mode Output Voltage Tests

SN75LBC776 SINGLE-CHIP GeoPort™ TRANSCEIVER

SLLS221B – NOVEMBER 1995 – REVISED MARCH 2002

PARAMETER MEASUREMENT INFORMATION



- NOTES: A. $C_L = 50 \text{ pF}$, $R_L = 120 \Omega$
 B. The input waveform t_r , $t_f \leq 10 \text{ ns}$.

Figure 4. Single-Ended Driver Propagation and Transition Times

PARAMETER MEASUREMENT INFORMATION

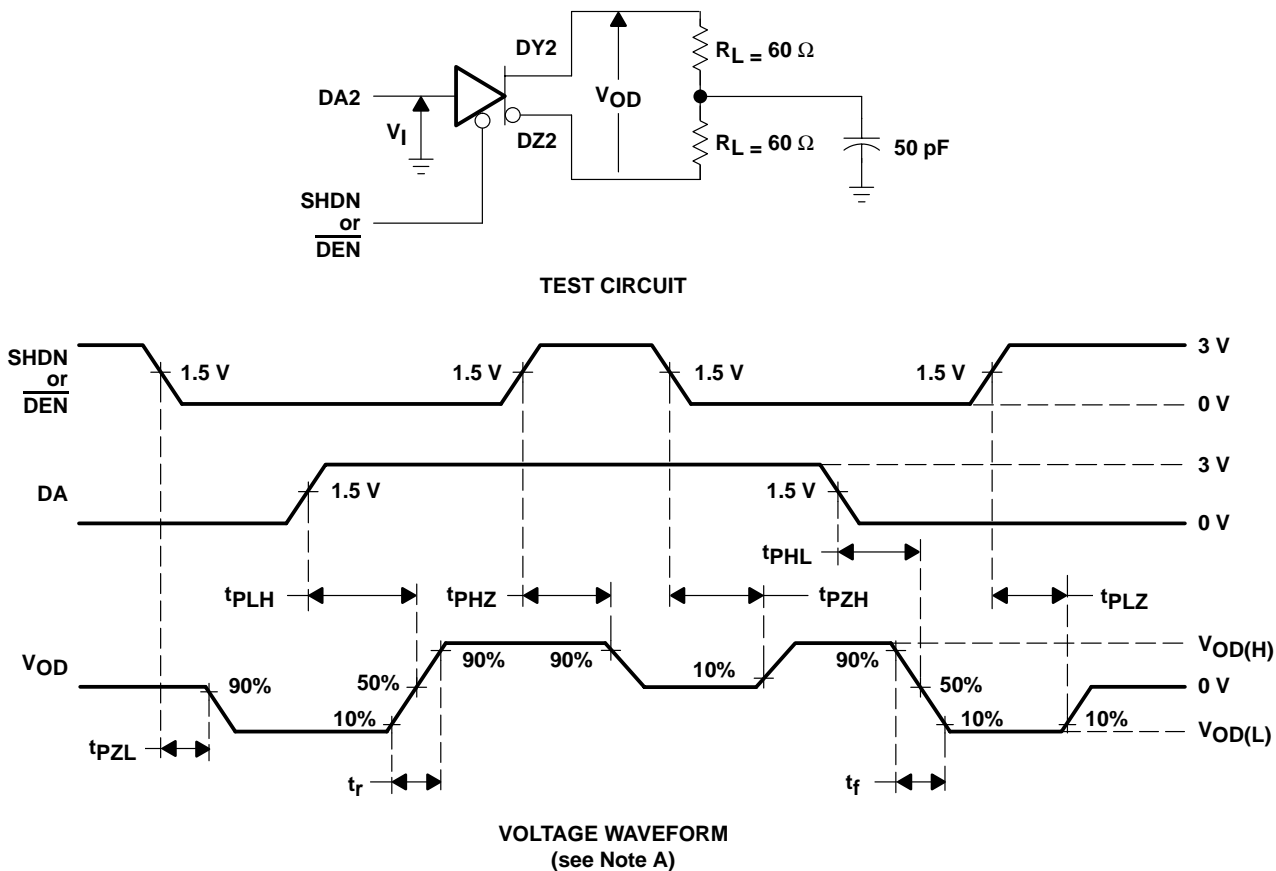


Figure 5. Differential Driver Propagation and Transition Times

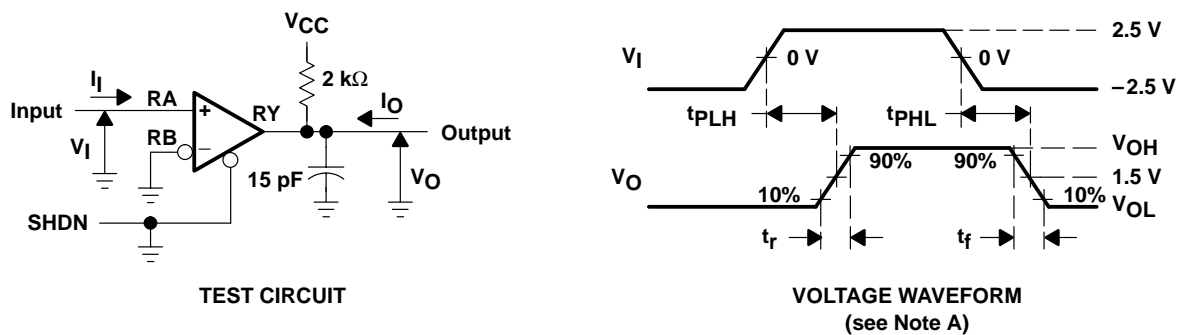


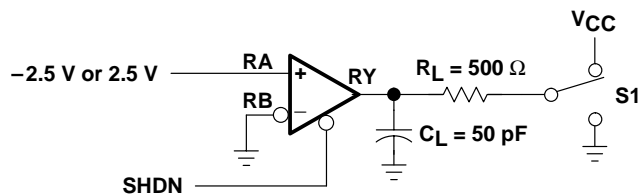
Figure 6. Receiver Propagation and Transition Times

NOTE A: The input waveform t_r , $t_f \leq 10$ ns.

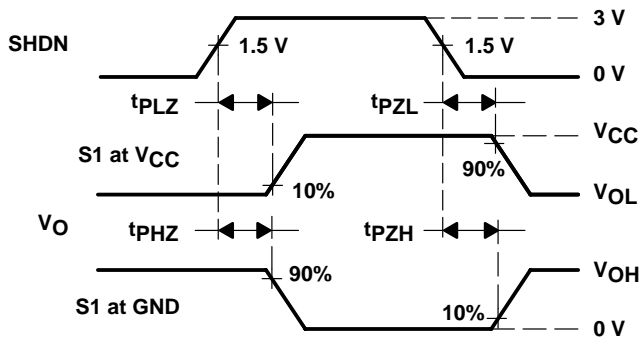
SN75LBC776 SINGLE-CHIP GeoPort™ TRANSCEIVER

SLLS221B – NOVEMBER 1995 – REVISED MARCH 2002

PARAMETER MEASUREMENT INFORMATION



TEST CIRCUIT

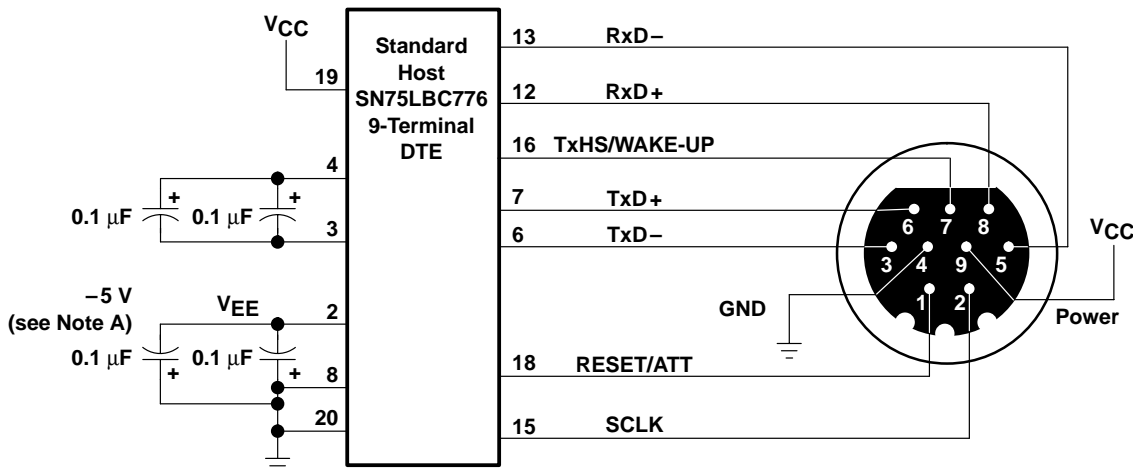
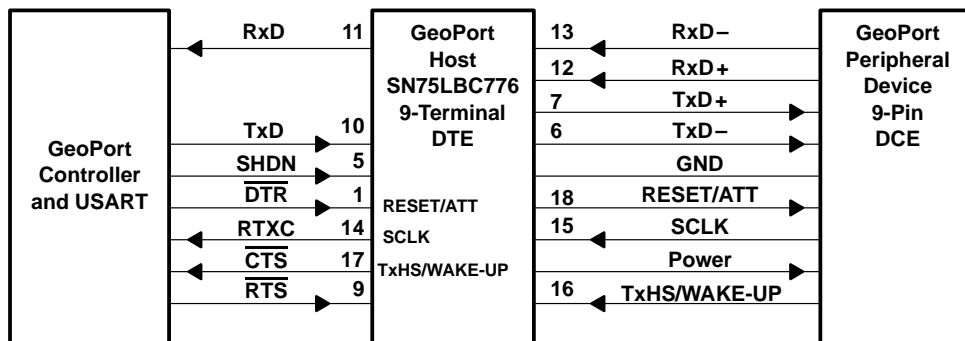


VOLTAGE WAVEFORM
(see Note A)

NOTE A: The input waveform $t_r, t_f \leq 10$ ns.

Figure 7. Receiver Enable and Disable Test Circuit and Waveforms

APPLICATION INFORMATION



NOTE A: The AVX 0603YC104MATXA or equivalent is one of the possible capacitors that can be used as the charge pump capacitor.

Figure 8. GeoPort 9-Terminal DTE Connection Application

SN75LBC776 SINGLE-CHIP GeoPort™ TRANSCEIVER

SLLS221B – NOVEMBER 1995 – REVISED MARCH 2002

APPLICATION INFORMATION

generator characteristics

PARAMETER	TEST CONDITIONS	EIA/TIA-232/V.28		EIA/TIA-423/V.10		562		UNIT
		MIN	MAX	MIN	MAX	MIN	MAX	
V _O	Output voltage magnitude	Open circuit		25	4	6	13.2	V
		3 kΩ ≤ R _L ≤ 7 kΩ		5	15	NA	3.7	V
		R _L = 450 Ω		NA	3.6	NA	NA	V
V _O (RING)	Output voltage ringing	NA		10%		5%		
I _{OS}	Short-circuit output current	V _O = 0		100		150		60 mA
I _O (OFF)	Power-off output current	V _{CC} = 0, V _O < 2 V		300		NA		300 Ω
		V _{CC} = 0, V _O < 6 V		NA		±100		NA μA
SR	Output voltage slew rate	30		NA		4 30		V/μs
t _t	Transition time	±3.3 V to ±3.3 V		NA		NA		0.22 2.1 μs
		±3 V to ±3 V		0.04		NA		NA ui†
		10% to 90%		NA		0.3		NA ui†

† ui is the unit interval and is the inverse of the signaling rate (bit transmit time).

receiver characteristics

PARAMETER	TEST CONDITIONS	EIA/TIA-232/V.28		EIA/TIA-423/V.10		562		UNIT
		MIN	MAX	MIN	MAX	MIN	MAX	
V _I	Input voltage magnitude	25		10		25		V
V _{IT}	Input voltage threshold	V _I < 15 V		-3 3		-3 3		V
		V _I < 10 V		NA		-0.2 0.2		NA
R _I	Input resistance	3 V < V _I < 15 V		3 7		NA		3 7 kΩ
		V _I < 10 V		NA		4		NA kΩ

PACKAGING INFORMATION

Orderable Device	Status (1)	Package Type	Package Drawing	Pins	Package Qty	Eco Plan (2)	Lead/Ball Finish (6)	MSL Peak Temp (3)	Op Temp (°C)	Device Marking (4/5)	Samples
SN75LBC776DBR	ACTIVE	SSOP	DB	20	2000	Green (RoHS & no Sb/Br)	CU NIPDAU	Level-1-260C-UNLIM		75LB776	Samples

(1) The marketing status values are defined as follows:

ACTIVE: Product device recommended for new designs.

LIFEBUY: TI has announced that the device will be discontinued, and a lifetime-buy period is in effect.

NRND: Not recommended for new designs. Device is in production to support existing customers, but TI does not recommend using this part in a new design.

PREVIEW: Device has been announced but is not in production. Samples may or may not be available.

OBSOLETE: TI has discontinued the production of the device.

(2) Eco Plan - The planned eco-friendly classification: Pb-Free (RoHS), Pb-Free (RoHS Exempt), or Green (RoHS & no Sb/Br) - please check <http://www.ti.com/productcontent> for the latest availability information and additional product content details.

TBD: The Pb-Free/Green conversion plan has not been defined.

Pb-Free (RoHS): TI's terms "Lead-Free" or "Pb-Free" mean semiconductor products that are compatible with the current RoHS requirements for all 6 substances, including the requirement that lead not exceed 0.1% by weight in homogeneous materials. Where designed to be soldered at high temperatures, TI Pb-Free products are suitable for use in specified lead-free processes.

Pb-Free (RoHS Exempt): This component has a RoHS exemption for either 1) lead-based flip-chip solder bumps used between the die and package, or 2) lead-based die adhesive used between the die and leadframe. The component is otherwise considered Pb-Free (RoHS compatible) as defined above.

Green (RoHS & no Sb/Br): TI defines "Green" to mean Pb-Free (RoHS compatible), and free of Bromine (Br) and Antimony (Sb) based flame retardants (Br or Sb do not exceed 0.1% by weight in homogeneous material)

(3) MSL, Peak Temp. - The Moisture Sensitivity Level rating according to the JEDEC industry standard classifications, and peak solder temperature.

(4) There may be additional marking, which relates to the logo, the lot trace code information, or the environmental category on the device.

(5) Multiple Device Markings will be inside parentheses. Only one Device Marking contained in parentheses and separated by a "~" will appear on a device. If a line is indented then it is a continuation of the previous line and the two combined represent the entire Device Marking for that device.

(6) Lead/Ball Finish - Orderable Devices may have multiple material finish options. Finish options are separated by a vertical ruled line. Lead/Ball Finish values may wrap to two lines if the finish value exceeds the maximum column width.

Important Information and Disclaimer: The information provided on this page represents TI's knowledge and belief as of the date that it is provided. TI bases its knowledge and belief on information provided by third parties, and makes no representation or warranty as to the accuracy of such information. Efforts are underway to better integrate information from third parties. TI has taken and continues to take reasonable steps to provide representative and accurate information but may not have conducted destructive testing or chemical analysis on incoming materials and chemicals. TI and TI suppliers consider certain information to be proprietary, and thus CAS numbers and other limited information may not be available for release.

In no event shall TI's liability arising out of such information exceed the total purchase price of the TI part(s) at issue in this document sold by TI to Customer on an annual basis.

TAPE AND REEL INFORMATION
REEL DIMENSIONS

TAPE DIMENSIONS


A0	Dimension designed to accommodate the component width
B0	Dimension designed to accommodate the component length
K0	Dimension designed to accommodate the component thickness
W	Overall width of the carrier tape
P1	Pitch between successive cavity centers

TAPE AND REEL INFORMATION

*All dimensions are nominal

Device	Package Type	Package Drawing	Pins	SPQ	Reel Diameter (mm)	Reel Width W1 (mm)	A0 (mm)	B0 (mm)	K0 (mm)	P1 (mm)	W (mm)	Pin1 Quadrant
SN75LBC776DBR	SSOP	DB	20	2000	330.0	16.4	8.2	7.5	2.5	12.0	16.0	Q1

TAPE AND REEL BOX DIMENSIONS



*All dimensions are nominal

Device	Package Type	Package Drawing	Pins	SPQ	Length (mm)	Width (mm)	Height (mm)
SN75LBC776DBR	SSOP	DB	20	2000	367.0	367.0	38.0

DB (R-PDSO-G**)

PLASTIC SMALL-OUTLINE

28 PINS SHOWN



- NOTES: A. All linear dimensions are in millimeters.
 B. This drawing is subject to change without notice.
 C. Body dimensions do not include mold flash or protrusion not to exceed 0,15.
 D. Falls within JEDEC MO-150

4040065 /E 12/01

IMPORTANT NOTICE

Texas Instruments Incorporated and its subsidiaries (TI) reserve the right to make corrections, enhancements, improvements and other changes to its semiconductor products and services per JESD46, latest issue, and to discontinue any product or service per JESD48, latest issue. Buyers should obtain the latest relevant information before placing orders and should verify that such information is current and complete. All semiconductor products (also referred to herein as "components") are sold subject to TI's terms and conditions of sale supplied at the time of order acknowledgment.

TI warrants performance of its components to the specifications applicable at the time of sale, in accordance with the warranty in TI's terms and conditions of sale of semiconductor products. Testing and other quality control techniques are used to the extent TI deems necessary to support this warranty. Except where mandated by applicable law, testing of all parameters of each component is not necessarily performed.

TI assumes no liability for applications assistance or the design of Buyers' products. Buyers are responsible for their products and applications using TI components. To minimize the risks associated with Buyers' products and applications, Buyers should provide adequate design and operating safeguards.

TI does not warrant or represent that any license, either express or implied, is granted under any patent right, copyright, mask work right, or other intellectual property right relating to any combination, machine, or process in which TI components or services are used. Information published by TI regarding third-party products or services does not constitute a license to use such products or services or a warranty or endorsement thereof. Use of such information may require a license from a third party under the patents or other intellectual property of the third party, or a license from TI under the patents or other intellectual property of TI.

Reproduction of significant portions of TI information in TI data books or data sheets is permissible only if reproduction is without alteration and is accompanied by all associated warranties, conditions, limitations, and notices. TI is not responsible or liable for such altered documentation. Information of third parties may be subject to additional restrictions.

Resale of TI components or services with statements different from or beyond the parameters stated by TI for that component or service voids all express and any implied warranties for the associated TI component or service and is an unfair and deceptive business practice. TI is not responsible or liable for any such statements.

Buyer acknowledges and agrees that it is solely responsible for compliance with all legal, regulatory and safety-related requirements concerning its products, and any use of TI components in its applications, notwithstanding any applications-related information or support that may be provided by TI. Buyer represents and agrees that it has all the necessary expertise to create and implement safeguards which anticipate dangerous consequences of failures, monitor failures and their consequences, lessen the likelihood of failures that might cause harm and take appropriate remedial actions. Buyer will fully indemnify TI and its representatives against any damages arising out of the use of any TI components in safety-critical applications.

In some cases, TI components may be promoted specifically to facilitate safety-related applications. With such components, TI's goal is to help enable customers to design and create their own end-product solutions that meet applicable functional safety standards and requirements. Nonetheless, such components are subject to these terms.

No TI components are authorized for use in FDA Class III (or similar life-critical medical equipment) unless authorized officers of the parties have executed a special agreement specifically governing such use.

Only those TI components which TI has specifically designated as military grade or "enhanced plastic" are designed and intended for use in military/aerospace applications or environments. Buyer acknowledges and agrees that any military or aerospace use of TI components which have **not** been so designated is solely at the Buyer's risk, and that Buyer is solely responsible for compliance with all legal and regulatory requirements in connection with such use.

TI has specifically designated certain components as meeting ISO/TS16949 requirements, mainly for automotive use. In any case of use of non-designated products, TI will not be responsible for any failure to meet ISO/TS16949.

Products

Audio	www.ti.com/audio
Amplifiers	amplifier.ti.com
Data Converters	dataconverter.ti.com
DLP® Products	www.dlp.com
DSP	dsp.ti.com
Clocks and Timers	www.ti.com/clocks
Interface	interface.ti.com
Logic	logic.ti.com
Power Mgmt	power.ti.com
Microcontrollers	microcontroller.ti.com
RFID	www.ti-rfid.com
OMAP Applications Processors	www.ti.com/omap
Wireless Connectivity	www.ti.com/wirelessconnectivity

Applications

Automotive and Transportation	www.ti.com/automotive
Communications and Telecom	www.ti.com/communications
Computers and Peripherals	www.ti.com/computers
Consumer Electronics	www.ti.com/consumer-apps
Energy and Lighting	www.ti.com/energy
Industrial	www.ti.com/industrial
Medical	www.ti.com/medical
Security	www.ti.com/security
Space, Avionics and Defense	www.ti.com/space-avionics-defense
Video and Imaging	www.ti.com/video

TI E2E Community

e2e.ti.com