

PLEASE CHECK WWW.MOLEX.COM FOR LATEST PART INFORMATION

Part Number: [85502-5007](#)
Status: **Active**
Overview: [Modular Plugs - Jacks](#)
Description: Modular Jack, Right Angle, Low Profile, Surface Mount, 6/6, Gold (Au)

Documents:

| | |
|--|--|
| 3D Model | Application Specification AS-85513-001 (PDF) |
| Drawing (PDF) | Test Summary STR-1413 (PDF) |
| Product Specification PS-95501 (PDF) | RoHS Certificate of Compliance (PDF) |

Agency Certification

UL E107635

General

| | |
|---------------------------|---------------------------------------|
| Product Family | Modular Jacks/Plugs |
| Series | 85502 |
| Component Type | PCB Jack |
| Magnetic | No |
| Overview | Modular Plugs - Jacks |
| Performance Category | 3 |
| Power over Ethernet (PoE) | N/A |
| Product Name | RJ12 |
| UPC | 822350900300 |

Physical

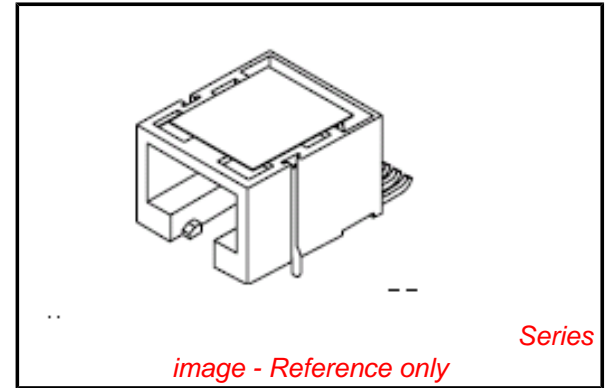
| | |
|--------------------------------|--------------------------------|
| Color - Resin | Black |
| Durability (mating cycles max) | 500 |
| Flammability | 94V-0 |
| Inverted / Top Latch | No |
| Jack Height | 11.50mm |
| Lightpipes/LEDs | None |
| Material - Metal | Copper Alloy |
| Material - Plating Mating | Gold |
| Material - Plating Termination | Tin |
| Material - Resin | High Temperature Thermoplastic |
| Net Weight | 2.116/g |
| Orientation | Right Angle (Side Entry) |
| PCB Locator | No |
| PCB Retention | Yes |
| Packaging Type | Embossed Tape on Reel |
| Pitch - Mating Interface | 1.02mm |
| Pitch - Termination Interface | 1.27mm |
| Ports | 1 |
| Positions / Loaded Contacts | 6/6 |
| Surface Mount Compatible (SMC) | Yes |
| Temperature Range - Operating | -40°C to +80°C |
| Termination Interface: Style | Surface Mount |
| Waterproof / Dustproof | No |
| Wire/Cable Type | N/A |

Electrical

| | |
|-------------------------------|---------------|
| Current - Maximum per Contact | 1.5A |
| Shielded | No |
| Voltage - Maximum | 125V AC (RMS) |

Solder Process Data

| | |
|--|----|
| Duration at Max. Process Temperature (seconds) | 45 |
|--|----|



EU RoHS

ELV and RoHS Compliant
REACH SVHC Contains SVHC: No
Low-Halogen Status Low-Halogen

China RoHS



Need more information on product environmental compliance?

Email productcompliance@molex.com
 For a multiple part number RoHS Certificate of Compliance, [click here](#)

Please visit the [Contact Us](#) section for any non-product compliance questions.

Search Parts in this Series

[85502Series](#)

Mates With

[FCC 68 Plugs](#)

| | |
|---|---------------------------|
| Lead-free Process Capability | Reflow Capable (SMT only) |
| Max. Cycles at Max. Process Temperature | 3 |
| Process Temperature max. C | 260 |

Material Info

Reference - Drawing Numbers

| | |
|---------------------------|--------------|
| Application Specification | AS-85513-001 |
| Product Specification | PS-95501 |
| Sales Drawing | SD-85502-101 |
| Test Summary | STR-1413 |

This document was generated on 03/20/2015

PLEASE CHECK WWW.MOLEX.COM FOR LATEST PART INFORMATION