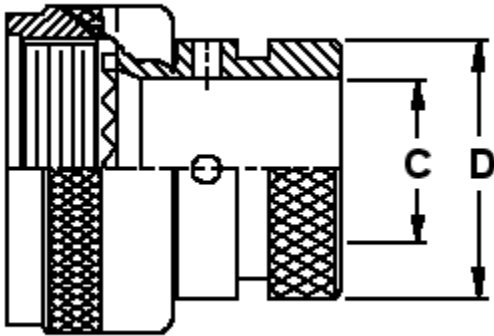


Part Number: M85049/69
Shrink Boot Adapter



M85049/ 69 - 11 A D

Military designator _____
 Specification sheet _____
 Shell size _____
 Finish _____

D = Drain holes option
 Omit for none _____

Shell Size	Thread	C - Min		D - Max	
		Inches	mm	Inches	mm
9	M12 X 1 - 6H	.250	6.4	.533	13.5
11	M15 X 1 - 6H	.375	9.5	.605	15.4
13	M18 X 1 - 6H	.500	12.7	.774	19.7
15	M22 X 1 - 6H	.625	15.9	.838	21.3
17	M25 X 1 - 6H	.750	19.1	.963	24.5
19	M28 X 1 - 6H	.812	20.6	1.042	26.5
21	M31 X 1 - 6H	.938	23.8	1.217	30.9
23	M34 X 1 - 6H	1.062	27.0	1.355	34.4
25	M37 X 1 - 6H	1.188	30.2	1.443	36.7

Finish

A = Aluminum, Black Anodize

N = Electroless Nickel

W = Cadmium, Olive drab over Electroless Nickel

X = Nickel Fluorocarbon Polymer

Y = Pure Dense Electro-deposited Aluminum

Z = Zinc Nickel, Black

Joslyn Sunbank Company LLC.
1740 Commerce Way - Paso Robles, California 93446
805238-2840 fax805238-0241
www.sunbankcorp.com