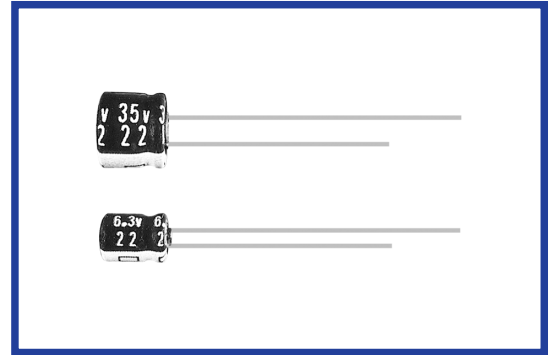


**MH5 SERIES**

105°C 5mm Height.

◆FEATURES

•RoHS compliance.

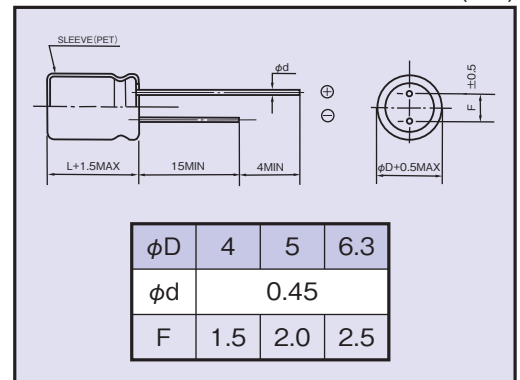


◆SPECIFICATIONS

Items	Characteristics							
Category Temperature Range	-40~+105°C							
Rated Voltage Range	6.3~50V.DC							
Capacitance Tolerance	±20% (20°C, 120Hz)							
Leakage Current(MAX)	I=0.01CV or 3μA whichever is greater.(After 2 minutes application of rated voltage) I=Leakage Current(μA) C=Capacitance(μF) V=Rated Voltage(V)							
Dissipation Factor(MAX) (tanδ)	Rated Voltage (V)	6.3	10	16	25	35	50	(20°C, 120Hz)
	tanδ	0.28	0.24	0.20	0.16	0.13	0.12	
Endurance	After applying rated voltage with rated ripple current for 1000 hours at 105°C, the capacitors shall meet the following requirements.							
	Capacitance Change	Within ±25% of the initial value.						
	Dissipation Factor	Not more than 200% of the specified value.						
Low Temperature Stability Impedance Ratio(MAX)	Rated Voltage (V)	6.3	10	16	25	35	50	(120Hz)
	Z(-25°C)/Z(20°C)	3	3	2	2	2	2	
	Z(-40°C)/Z(20°C)	8	5	4	3	3	3	

◆DIMENSIONS

(mm)



◆MULTIPLIER FOR RIPPLE CURRENT

Frequency (Hz)	60(50)	120	500	1k	10k≤	
Coefficient	0.47~1μF	0.50	1.0	1.20	1.30	1.50
	2.2~4.7μF	0.65	1.0	1.20	1.30	1.50
	10~47μF	0.8	1.0	1.20	1.30	1.50
	100μF	0.8	1.0	1.10	1.15	1.20

◆STANDARD SIZE Size φD×L(mm), Ripple Current (mA r.m.s./105°C, 120Hz)

V.DC	Cap (μF)	Size (φD×L)	Rated Ripple Current
6.3 (0J)	22	4×5	23
	33	5×5	30
	47	5×5	37
	100	6.3×5	57
10 (1A)	22	5×5	28
	33	5×5	34
	47	6.3×5	52
	100	6.3×5	62

V.DC	Cap (μF)	Size (φD×L)	Rated Ripple Current
16 (1C)	10	4×5	20
	22	5×5	31
	33	6.3×5	48
	47	6.3×5	56
	100	6.3×5	62
	25 (1E)	10	5×5
22		6.3×5	44
33		6.3×5	48
47		6.3×5	56

V.DC	Cap (μF)	Size (φD×L)	Rated Ripple Current
35 (1V)	4.7	4×5	17
	10	5×5	24
	22	6.3×5	48
	50 (1H)	0.47	4×5
1		4×5	8
2.2		4×5	13
3.3		4×5	14
4.7		5×5	18
10		6.3×5	28

◆OPTION

	Code
PET Sleeve	EFC

◆PART NUMBER

□□□	MH5	□□□□□	M	□□□	□□	D×L
Rated Voltage	Series	Capacitance	Capacitance Tolerance	Option	Lead Forming	Case Size