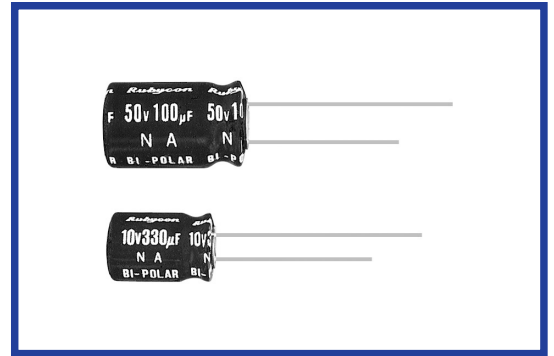


NA SERIES
85°C Bi-polar Miniaturized
◆FEATURES

•RoHS compliance.


◆SPECIFICATIONS

Items	Characteristics																																				
Category Temperature Range	-40~+85°C																																				
Rated Voltage Range	6.3~100V.DC																																				
Capacitance Tolerance	±20% (20°C, 120Hz)																																				
Leakage Current(MAX)	I=0.03CV or 3µA whichever is greater. (After 5 minutes application of rated voltage) I=Leakage Current(µA) C=Capacitance(µF) V=Rated Voltage(V)																																				
Dissipation Factor(MAX) (tanδ)	<table border="1"> <thead> <tr> <th>Rated Voltage (V)</th> <th>6.3</th> <th>10</th> <th>16</th> <th>25</th> <th>35</th> <th>50</th> <th>63</th> <th>100</th> </tr> </thead> <tbody> <tr> <td>(20°C, 120Hz)</td> <td>0.25</td> <td>0.25</td> <td>0.20</td> <td>0.20</td> <td>0.15</td> <td>0.15</td> <td>0.15</td> <td>0.15</td> </tr> </tbody> </table>	Rated Voltage (V)	6.3	10	16	25	35	50	63	100	(20°C, 120Hz)	0.25	0.25	0.20	0.20	0.15	0.15	0.15	0.15																		
Rated Voltage (V)	6.3	10	16	25	35	50	63	100																													
(20°C, 120Hz)	0.25	0.25	0.20	0.20	0.15	0.15	0.15	0.15																													
Endurance	After applying rated voltage with rated ripple current for 2000 hours at 85°C, (The polarity shall be reversed every 250hrs.), the capacitors shall meet the following requirements. <table border="1"> <tbody> <tr> <td>Capacitance Change</td> <td>Within ±25% of the initial value.</td> </tr> <tr> <td>Dissipation Factor</td> <td>Not more than 200% of the specified value.</td> </tr> <tr> <td>Leakage Current</td> <td>Not more than the specified value.</td> </tr> </tbody> </table>	Capacitance Change	Within ±25% of the initial value.	Dissipation Factor	Not more than 200% of the specified value.	Leakage Current	Not more than the specified value.																														
Capacitance Change	Within ±25% of the initial value.																																				
Dissipation Factor	Not more than 200% of the specified value.																																				
Leakage Current	Not more than the specified value.																																				
Low Temperature Stability Impedance Ratio(MAX)	<table border="1"> <thead> <tr> <th>Rated Voltage (V)</th> <th>6.3</th> <th>10</th> <th>16</th> <th>25</th> <th>35</th> <th>50</th> <th>63</th> <th>100</th> </tr> </thead> <tbody> <tr> <td>(120Hz)</td> <td></td> <td></td> <td></td> <td></td> <td></td> <td></td> <td></td> <td></td> </tr> <tr> <td>Z(-25°C)/Z(20°C)</td> <td>6</td> <td>4</td> <td>4</td> <td>3</td> <td>2</td> <td>2</td> <td>2</td> <td>2</td> </tr> <tr> <td>Z(-40°C)/Z(20°C)</td> <td>12</td> <td>10</td> <td>8</td> <td>6</td> <td>4</td> <td>4</td> <td>4</td> <td>3</td> </tr> </tbody> </table>	Rated Voltage (V)	6.3	10	16	25	35	50	63	100	(120Hz)									Z(-25°C)/Z(20°C)	6	4	4	3	2	2	2	2	Z(-40°C)/Z(20°C)	12	10	8	6	4	4	4	3
Rated Voltage (V)	6.3	10	16	25	35	50	63	100																													
(120Hz)																																					
Z(-25°C)/Z(20°C)	6	4	4	3	2	2	2	2																													
Z(-40°C)/Z(20°C)	12	10	8	6	4	4	4	3																													

◆MULTIPLIER FOR RIPPLE CURRENT

Frequency coefficient

Frequency (Hz)	60(50)	120	500	1k	10k≤
Coefficient					
1µF	0.50	1.00	1.20	1.30	1.50
2.2~4.7µF	0.65	1.00	1.20	1.30	1.50
10~47µF	0.80	1.00	1.20	1.30	1.50
100~1000µF	0.80	1.00	1.10	1.15	1.20

◆OPTION

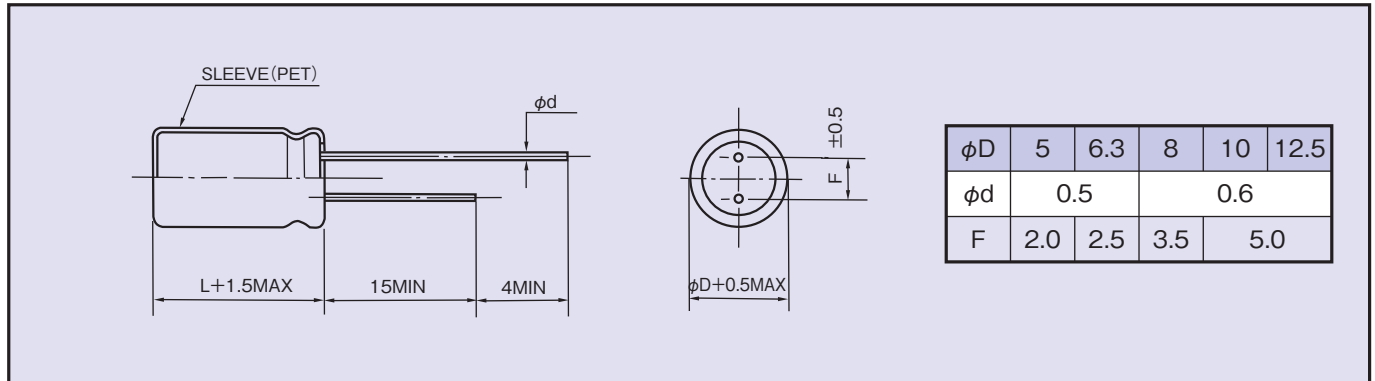
	Code
PET Sleeve	EFC

◆PART NUMBER

□□□	NA	□□□□□	M	□□□	□□	DXL
Rated Voltage	Series	Capacitance	Capacitance Tolerance	Option	Lead Forming	Case Size

◆ **DIMENSIONS**

(mm)



◆ **STANDARD SIZE**

Size $\phi D \times L$ (mm), Ripple Current (mA r.m.s./85°C, 120Hz)

WV(V.DC) Cap(μF)	6.3 (0J)		10 (1A)		16 (1C)		25 (1E)	
	Size	Ripple	Size	Ripple	Size	Ripple	Size	Ripple
33							5×11	77
47					5×11	80	6.3×11	100
100	5×11	100	6.3×11	115	6.3×11	130	8×11.5	175
220	6.3×11	160	8×11.5	205	8×11.5	220	10×12.5	295
330	8×11.5	225	8×11.5	240	10×12.5	325	10×16	380
470	8×11.5	250	10×12.5	345	10×16	415	10×20	510
1000	10×16	425	10×20	550	12.5×20	695		

WV(V.DC) Cap(μF)	35 (1V)		50 (1H)		63 (1J)		100 (2A)	
	Size	Ripple	Size	Ripple	Size	Ripple	Size	Ripple
1			5×11	12			5×11	15
2.2			5×11	19			5×11	20
3.3			5×11	25			5×11	27
4.7			5×11	35	5×11	35	6.3×11	37
10			5×11	40	6.3×11	45	8×11.5	65
22	5×11	65	6.3×11	72	8×11.5	82	10×12.5	96
33	6.3×11	90	6.3×11	95	8×11.5	100	10×16	125
47	6.3×11	110	8×11.5	130	10×12.5	140	10×20	165
100	10×12.5	220	10×16	235	10×20	250	12.5×25	285
220	10×20	390	12.5×20	460	12.5×25	490		
330	12.5×20	540	12.5×25	590				
470	12.5×25	640						