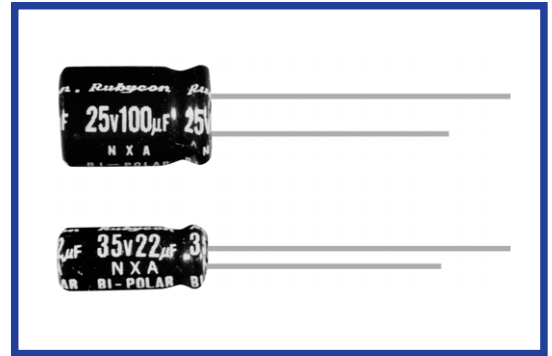


**NXA SERIES**
**105°C Bi-polar Miniaturized**
**◆FEATURES**

•RoHS compliance.


**◆SPECIFICATIONS**

Items	特 性	Characteristics																					
Category Temperature Range		-55~+105°C																					
Rated Voltage Range		6.3~50V.DC																					
Capacitance Tolerance		±20% (20°C, 120Hz)																					
Leakage Current(MAX)	I=0.03CV or 3µA whichever is greater. (After 5 minutes application of rated voltage) I=Leakage Current(µA)      C=Capacitance(µF)      V=Rated Voltage(V)																						
Dissipation Factor(MAX) (tanδ)	<table border="1"> <tr> <td>Rated Voltage (V)</td> <td>6.3</td> <td>10</td> <td>16</td> <td>25</td> <td>35</td> <td>50</td> </tr> <tr> <td>tanδ</td> <td>0.25</td> <td>0.25</td> <td>0.20</td> <td>0.20</td> <td>0.15</td> <td>0.15</td> </tr> </table>	Rated Voltage (V)	6.3	10	16	25	35	50	tanδ	0.25	0.25	0.20	0.20	0.15	0.15	(20°C, 120Hz)							
Rated Voltage (V)	6.3	10	16	25	35	50																	
tanδ	0.25	0.25	0.20	0.20	0.15	0.15																	
Endurance	After applying rated voltage with rated ripple current for 1000 hours at 105°C, (The polarity shall be reversed every 250hrs.), the capacitors shall meet the following requirements.																						
	<table border="1"> <tr> <td>Capacitance Change</td> <td>Within ±25% of the initial value.</td> </tr> <tr> <td>Dissipation Factor</td> <td>Not more than 200% of the specified value.</td> </tr> <tr> <td>Leakage Current</td> <td>Not more than the specified value.</td> </tr> </table>	Capacitance Change	Within ±25% of the initial value.	Dissipation Factor	Not more than 200% of the specified value.	Leakage Current	Not more than the specified value.																
Capacitance Change	Within ±25% of the initial value.																						
Dissipation Factor	Not more than 200% of the specified value.																						
Leakage Current	Not more than the specified value.																						
Low Temperature Stability Impedance Ratio(MAX)	<table border="1"> <tr> <td>Rated Voltage (V)</td> <td>6.3</td> <td>10</td> <td>16</td> <td>25</td> <td>35</td> <td>50</td> </tr> <tr> <td>Z(-25°C)/Z(20°C)</td> <td>4</td> <td>3</td> <td>2</td> <td>2</td> <td>2</td> <td>2</td> </tr> <tr> <td>Z(-40°C)/Z(20°C)</td> <td>8</td> <td>6</td> <td>4</td> <td>4</td> <td>4</td> <td>4</td> </tr> </table>	Rated Voltage (V)	6.3	10	16	25	35	50	Z(-25°C)/Z(20°C)	4	3	2	2	2	2	Z(-40°C)/Z(20°C)	8	6	4	4	4	4	(120Hz)
Rated Voltage (V)	6.3	10	16	25	35	50																	
Z(-25°C)/Z(20°C)	4	3	2	2	2	2																	
Z(-40°C)/Z(20°C)	8	6	4	4	4	4																	

**◆MULTIPLIER FOR RIPPLE CURRENT**

Frequency coefficient

Frequency (Hz)	60(50)	120	500	1k	10k≤
1µF	0.50	1.00	1.20	1.30	1.50
2.2~4.7µF	0.65	1.00	1.20	1.30	1.50
10~47µF	0.80	1.00	1.20	1.30	1.50
100~1000µF	0.80	1.00	1.10	1.15	1.20

**◆OPTION**

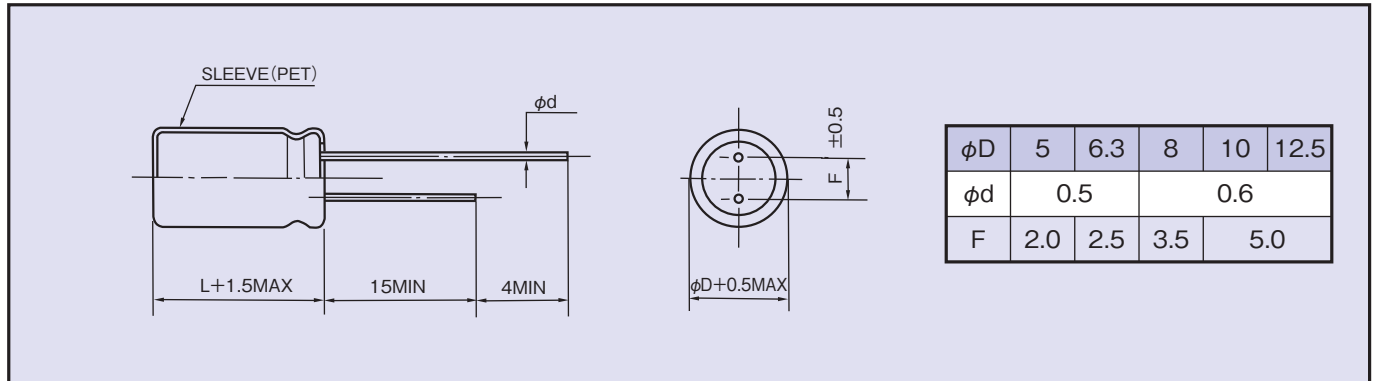
	Code
PET Sleeve	EFC

**◆PART NUMBER**

□□□	NXA	□□□□□	M	□□□	□□	DXL
Rated Voltage	Series	Capacitance	Capacitance Tolerance	Option	Lead Forming	Case Size

◆ **DIMENSIONS**

(mm)



◆ **STANDARD SIZE**

Size  $\phi D \times L$ (mm), Ripple Current (mA r.m.s./105°C, 120Hz)

WV(V.DC) Cap( $\mu F$ )	6.3 (0J)		10 (1A)		16 (1C)		25 (1E)	
	Size	Ripple	Size	Ripple	Size	Ripple	Size	Ripple
33							5×11	49
47					5×11	54	6.3×11	68
100	5×11	63	6.3×11	68	6.3×11	84	8×11.5	111
220	6.3×11	68	8×11.5	135	8×11.5	137	10×12.5	182
330	8×11.5	135	8×11.5	147	10×12.5	202	10×16	247
470	8×11.5	161	10×12.5	212	10×16	262	10×20	333
1000	10×16	297	10×20	378	12.5×20	472		

WV(V.DC) Cap( $\mu F$ )	35 (1V)		50 (1H)	
	Size	Ripple	Size	Ripple
1			5×11	12
2.2			5×11	14
3.3			5×11	19
4.7			5×11	23
10			5×11	30
22	5×11	44	6.3×11	44
33	6.3×11	56	6.3×11	56
47	6.3×11	68	8×11.5	78
100	10×12.5	142	10×16	149
220	10×20	256	12.5×20	277
330	12.5×20	343	12.5×25	364
470	12.5×25	402		