

**MXH SERIES**

**105°C Miniaturized, Snap-in Terminal Type**

**◆FEATURES**

- Load Life : 105°C 2000 hours.
- Smaller size than MXG series.
- RoHS compliance.



**◆SPECIFICATIONS**

Items	Characteristics								
Category Temperature Range	-25~+105°C								
Rated Voltage Range	400~500V.DC								
Capacitance Tolerance	±20% (20°C, 120Hz)								
Leakage Current(MAX)	$I=3\sqrt{CV}$ (After 5 minutes application of rated voltage) $I$ =Leakage Current( $\mu$ A) $C$ =Capacitance( $\mu$ F) $V$ =Rated Voltage(V)								
Dissipation Factor(MAX) (tan $\delta$ )	<table border="1"> <tr> <td>Rated Voltage (V)</td> <td>400~450</td> <td>500</td> <td>(20°C, 120Hz)</td> </tr> <tr> <td>tan<math>\delta</math></td> <td>0.20</td> <td>0.25</td> <td></td> </tr> </table>	Rated Voltage (V)	400~450	500	(20°C, 120Hz)	tan $\delta$	0.20	0.25	
Rated Voltage (V)	400~450	500	(20°C, 120Hz)						
tan $\delta$	0.20	0.25							
Endurance	<p>After applying rated voltage with rated ripple current for 2000 hours at 105°C, the capacitors shall meet the following requirements.</p> <table border="1"> <tr> <td>Capacitance Change</td> <td>Within ±20% of the initial value.</td> </tr> <tr> <td>Dissipation Factor</td> <td>Not more than 200% of the specified value.</td> </tr> <tr> <td>Leakage Current</td> <td>Not more than the specified value.</td> </tr> </table>	Capacitance Change	Within ±20% of the initial value.	Dissipation Factor	Not more than 200% of the specified value.	Leakage Current	Not more than the specified value.		
Capacitance Change	Within ±20% of the initial value.								
Dissipation Factor	Not more than 200% of the specified value.								
Leakage Current	Not more than the specified value.								
Low Temperature Stability Impedance Ratio(MAX)	<table border="1"> <tr> <td>Rated Voltage (V)</td> <td>400~450</td> <td>500</td> <td>(120Hz)</td> </tr> <tr> <td>Z(-25°C)/Z(20°C)</td> <td>8</td> <td>12</td> <td></td> </tr> </table>	Rated Voltage (V)	400~450	500	(120Hz)	Z(-25°C)/Z(20°C)	8	12	
Rated Voltage (V)	400~450	500	(120Hz)						
Z(-25°C)/Z(20°C)	8	12							

**◆MULTIPLIER FOR RIPPLE CURRENT**

Frequency (Hz)	60(50)	120	500	1k	10k $\leq$
Coefficient	0.80	1.00	1.20	1.25	1.40

**◆PART NUMBER**

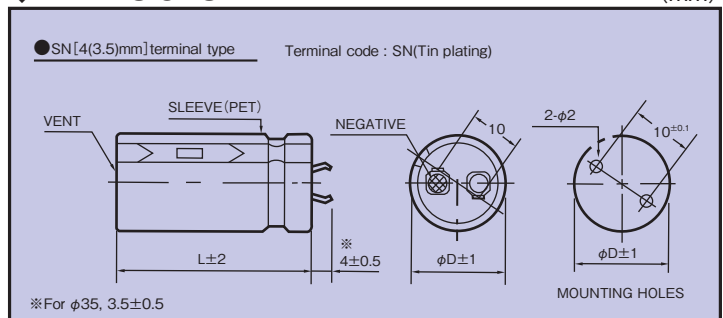
<input type="text"/>	MXH	<input type="text"/>	M	<input type="text"/>	SN	DxL
Rated Voltage	Series	Capacitance	Capacitance Tolerance	Option	Terminal Code	Case Size

**◆OPTION**

	Code
PET Sleeve without plate	EFC

**◆DIMENSIONS**

(mm)



**◆ STANDARD SIZE**

Cap(μF)	V.DC		400							
	φD		φ22		φ25		φ30		φ35	
120			22×25	0.75						
150			22×30	0.88						
180			22×30	0.95	25×25	0.95				
220			22×35	1.10	25×30	1.10				
270			22×40	1.22	25×35	1.22	30×25	1.22		
330			22×50	1.44	25×40	1.44	30×30	1.44	35×25	1.44
390					25×45	1.55	30×35	1.55	35×30	1.55
470					25×50	1.68	30×40	1.68	35×30	1.68
560							30×45	1.90	35×35	1.90
680							30×50	2.12	35×40	2.12
820									35×45	2.30

Cap(μF)	V.DC		420							
	φD		φ22		φ25		φ30		φ35	
100			22×25	0.66						
120			22×30	0.81						
150			22×30	0.84	25×25	0.84				
180			22×35	0.91	25×30	0.91				
220			22×40	1.05	25×30	1.05	30×25	1.05		
270			22×50	1.25	25×35	1.25	30×30	1.25	35×25	1.25
330					25×45	1.42	30×35	1.42	35×30	1.42
390					25×50	1.61	30×40	1.61	35×30	1.61
470							30×45	1.86	35×35	1.86
560							30×50	2.10	35×40	2.10
680									35×45	2.20

Cap(μF)	V.DC		450							
	φD		φ22		φ25		φ30		φ35	
100			22×25	0.69						
120			22×30	0.72	25×25	0.72				
150			22×35	0.79	25×30	0.79				
180			22×40	0.87	25×30	0.87	30×25	0.87		
220			22×45	1.05	25×35	1.05	30×30	1.05		
270			22×50	1.23	25×40	1.23	30×30	1.23	35×25	1.23
330					25×50	1.38	30×35	1.38	35×30	1.38
390							30×40	1.61	35×35	1.61
470							30×45	1.78	35×40	1.78
560									35×45	1.99
680									35×50	2.10

Cap(μF)	V.DC		500							
	φD		φ22		φ25		φ30		φ35	
56			22×25	0.53						
68			22×30	0.63						
82			22×30	0.72	25×25	0.61				
100			22×35	0.82	25×30	0.73				
120			22×40	0.92	25×35	0.85	30×25	0.85		
150			22×50	1.03	25×40	0.98	30×30	1.00	35×25	0.99
180					25×45	1.11	30×35	1.14	35×30	1.15
220					25×50	1.24	30×40	1.30	35×35	1.32
270							30×45	1.45	35×35	1.46
330							30×50	1.62	35×40	1.64
390									35×50	1.85

↑ Ripple Current (A r.m.s./120Hz, 105°C)  
 ↑ Case Size φD×L(mm)