

**VXG SERIES**

105°C 5000 hours, Miniaturized, Snap-in Terminal Type

◆FEATURES

- Load Life : 105°C 5000 hours.
- RoHS compliance.



◆SPECIFICATIONS

Items	Characteristics																											
Category Temperature Range	-40~+105°C	-25~+105°C																										
Rated Voltage Range	10~100V.DC	200~500V.DC																										
Capacitance Tolerance	±20% (20°C, 120Hz)																											
Leakage Current(MAX)	I=3√CV (After 5 minutes application of rated voltage) I=Leakage Current(µA) C=Capacitance(µF) V=Rated Voltage(V)																											
Dissipation Factor(MAX) (tanδ)	<table border="1"> <tr> <td>Rated Voltage (V)</td> <td>10</td> <td>16</td> <td>25</td> <td>35</td> <td>50</td> <td>63</td> <td>80</td> <td>100</td> <td>200~250</td> <td>400~450</td> <td>500</td> <td>(20°C, 120Hz)</td> </tr> <tr> <td>tanδ</td> <td>0.55</td> <td>0.50</td> <td>0.45</td> <td>0.40</td> <td>0.35</td> <td>0.30</td> <td>0.25</td> <td>0.20</td> <td>0.20</td> <td>0.20</td> <td>0.25</td> <td></td> </tr> </table>		Rated Voltage (V)	10	16	25	35	50	63	80	100	200~250	400~450	500	(20°C, 120Hz)	tanδ	0.55	0.50	0.45	0.40	0.35	0.30	0.25	0.20	0.20	0.20	0.25	
Rated Voltage (V)	10	16	25	35	50	63	80	100	200~250	400~450	500	(20°C, 120Hz)																
tanδ	0.55	0.50	0.45	0.40	0.35	0.30	0.25	0.20	0.20	0.20	0.25																	
Endurance	After applying rated voltage with rated ripple current for 5000 hours at 105°C, the capacitors shall meet the following requirements. <table border="1"> <tr> <td>Capacitance Change</td> <td>Within ±20%(For 10WV ; ±25%)of the initial value.</td> </tr> <tr> <td>Dissipation Factor</td> <td>Not more than 200% of the specified value.</td> </tr> <tr> <td>Leakage Current</td> <td>Not more than the specified value.</td> </tr> </table>		Capacitance Change	Within ±20%(For 10WV ; ±25%)of the initial value.	Dissipation Factor	Not more than 200% of the specified value.	Leakage Current	Not more than the specified value.																				
Capacitance Change	Within ±20%(For 10WV ; ±25%)of the initial value.																											
Dissipation Factor	Not more than 200% of the specified value.																											
Leakage Current	Not more than the specified value.																											
Low Temperature Stability Impedance Ratio(MAX)	<table border="1"> <tr> <td>Rated Voltage (V)</td> <td>10~100</td> <td>200~250</td> <td>400~450</td> <td>500</td> <td>(120Hz)</td> </tr> <tr> <td>Z(-25°C)/Z(20°C)</td> <td>3</td> <td>3</td> <td>8</td> <td>12</td> <td></td> </tr> <tr> <td>Z(-40°C)/Z(20°C)</td> <td>12</td> <td>-</td> <td>-</td> <td>-</td> <td></td> </tr> </table>		Rated Voltage (V)	10~100	200~250	400~450	500	(120Hz)	Z(-25°C)/Z(20°C)	3	3	8	12		Z(-40°C)/Z(20°C)	12	-	-	-									
Rated Voltage (V)	10~100	200~250	400~450	500	(120Hz)																							
Z(-25°C)/Z(20°C)	3	3	8	12																								
Z(-40°C)/Z(20°C)	12	-	-	-																								

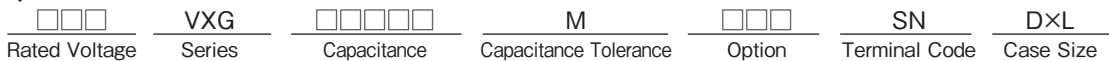
◆MULTIPLIER FOR RIPPLE CURRENT

Frequency (Hz)	60(50)	120	500	1k	10k≦
10~100WV	0.90	1.00	1.05	1.10	1.15
200~250WV	0.80	1.00	1.20	1.30	1.50
400~500WV	0.80	1.00	1.20	1.25	1.40

◆OPTION

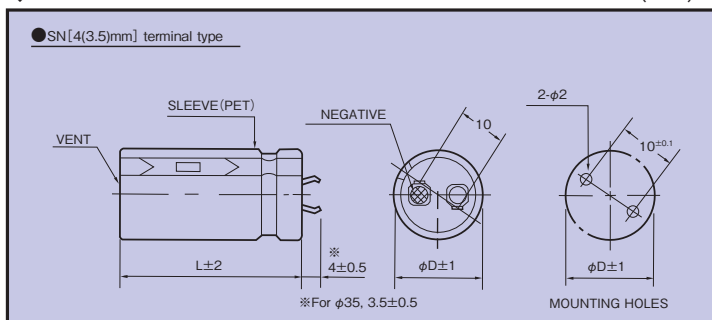
	記号 Code
PET Sleeve without plate	EFC

◆PART NUMBER



◆DIMENSIONS

(mm)



**◆ STANDARD SIZE**

Cap(μF)	V.DC φD	10				16			
		φ22	φ25	φ30	φ35	φ22	φ25	φ30	φ35
5600						22×25: 1.44			
6800						22×30: 1.66			
8200		22×25: 1.36				22×30: 1.79	25×25: 1.67		
10000		22×30: 1.65				22×35: 2.08	25×30: 2.07		
12000		22×35: 1.85	25×25: 1.82			22×40: 2.36	25×35: 2.37	30×25: 2.13	
15000		22×40: 2.12	25×30: 2.11	30×25: 2.14		22×45: 2.69	25×40: 2.72	30×30: 2.54	
18000		22×45: 2.40	25×35: 2.32	30×30: 2.37			25×45: 3.06	30×35: 3.02	35×30: 3.09
22000			25×40: 2.59	30×30: 2.73			25×50: 3.39	30×40: 3.46	35×30: 3.31
27000			25×45: 3.01	30×35: 3.13	35×30: 3.05			30×45: 3.88	35×35: 3.85
33000			25×50: 3.43	30×40: 3.53	35×35: 3.49			30×50: 4.33	35×40: 4.33
39000				30×45: 3.78	35×40: 3.96				35×45: 4.96
47000				30×50: 4.58	35×45: 4.60				35×50: 5.49
56000					35×50: 5.06				

Cap(μF)	V.DC φD	25				35			
		φ22	φ25	φ30	φ35	φ22	φ25	φ30	φ35
2700						22×25: 1.29			
3300						22×30: 1.54			
3900		22×25: 1.31				22×35: 1.77	25×25: 1.55		
4700		22×30: 1.55				22×40: 2.01	25×30: 1.87		
5600		22×35: 1.77	25×25: 1.56			22×45: 2.25	25×35: 2.18	30×25: 1.80	
6800		22×40: 2.02	25×30: 1.88			22×50: 2.49	25×40: 2.45	30×30: 2.28	
8200		22×45: 2.27	25×35: 2.18	30×25: 1.92			25×45: 2.80	30×35: 2.69	
10000		22×50: 2.56	25×40: 2.53	30×30: 2.38				30×40: 3.04	35×30: 2.78
12000			25×45: 2.79	30×35: 2.70	35×30: 2.76			30×45: 3.38	35×35: 3.30
15000				30×40: 3.13	35×30: 3.00				35×40: 3.88
18000				30×45: 3.52	35×35: 3.50				35×45: 4.40
22000				30×50: 3.92	35×40: 3.95				
27000					35×50: 4.72				

Cap(μF)	V.DC φD	50				63			
		φ22	φ25	φ30	φ35	φ22	φ25	φ30	φ35
1000						22×25: 1.10			
1200						22×25: 1.17			
1500		22×25: 1.21				22×30: 1.41	25×25: 1.38		
1800		22×25: 1.28				22×35: 1.62	25×30: 1.63		
2200		22×30: 1.52	25×25: 1.46			22×40: 1.85	25×30: 1.75	30×25: 1.66	
2700		22×35: 1.77	25×30: 1.76			22×45: 2.10	25×35: 2.03	30×30: 2.01	
3300		22×40: 2.02	25×30: 1.87	30×25: 1.72			25×40: 2.33	30×30: 2.15	
3900		22×45: 2.27	25×35: 2.20	30×30: 2.09			25×45: 2.58	30×35: 2.46	35×30: 2.31
4700			25×40: 2.43	30×30: 2.22				30×40: 2.82	35×35: 2.77
5600			25×45: 2.72	30×35: 2.58	35×30: 2.35			30×45: 3.22	35×40: 3.20
6800				30×40: 3.01	35×35: 2.91				35×45: 3.61
8200				30×50: 3.63	35×40: 3.36				35×50: 3.94
10000					35×45: 3.79				
12000					35×50: 4.06				

Cap(μF)	V.DC φD	80				100			
		φ22	φ25	φ30	φ35	φ22	φ25	φ30	φ35
560						22×25: 1.01			
680						22×30: 1.19			
820		22×25: 1.09				22×35: 1.33	25×25: 1.26		
1000		22×30: 1.29				22×40: 1.56	25×30: 1.52	30×25: 1.47	
1200		22×35: 1.48	25×25: 1.32			22×45: 1.76	25×35: 1.76	30×30: 1.76	
1500		22×40: 1.70	25×30: 1.74	30×25: 1.58		22×50: 2.00	25×40: 2.03	30×30: 1.89	
1800		22×45: 1.91	25×35: 1.86	30×25: 1.68			25×45: 2.29	30×35: 2.19	35×30: 2.05
2200			25×45: 2.22	30×30: 2.02				30×40: 2.52	35×35: 2.48
2700				30×35: 2.50	35×30: 2.18			30×45: 2.86	35×40: 2.87
3300				30×40: 2.69	35×35: 2.60				35×45: 3.25
3900				30×45: 2.94	35×40: 3.00				35×50: 3.56
4700					35×45: 3.44				
5600					35×50: 3.72				

↑ Ripple Current (A r.m.s./120Hz, 105°C)  
 Case Size φD×L(mm)

◆ STANDARD SIZE

Cap(μF)	V.DC φD	200				220			
		φ22	φ25	φ30	φ35	φ22	φ25	φ30	φ35
270		22×25: 1.09				22×25: 1.04			
330		22×30: 1.31				22×30: 1.26			
390		22×30: 1.32	25×25: 1.27			22×35: 1.47	25×25: 1.21		
470		22×35: 1.54	25×30: 1.54			22×40: 1.64	25×30: 1.47		
560		22×40: 1.75	25×30: 1.54			22×45: 1.86	25×35: 1.71	30×25: 1.41	
680		22×45: 1.96	25×35: 1.79	30×25: 1.46		22×50: 2.05	25×40: 1.94	30×30: 1.71	35×25: 1.54
820		22×50: 2.15	25×40: 2.03	30×30: 1.77	35×25: 1.59		25×45: 2.16	30×35: 1.99	35×30: 1.89
1000			25×45: 2.26	30×35: 2.06	35×30: 1.93		25×50: 2.37	30×40: 2.26	35×35: 2.15
1200				30×40: 2.34	35×35: 2.22			30×45: 2.51	35×40: 2.48
1500				30×45: 2.60	35×40: 2.56			30×50: 2.75	35×40: 2.50
1800					35×45: 2.85				35×50: 3.04
2200					35×50: 3.14				

Cap(μF)	V.DC φD	250				400			
		φ22	φ25	φ30	φ35	φ22	φ25	φ30	φ35
82						22×25: 0.64			
100						22×30: 0.74			
120						22×30: 0.79	25×25: 0.79		
150						22×35: 0.92	25×30: 0.95		
180						22×40: 1.05	25×35: 1.10	30×25: 0.97	
220		22×25: 0.97				22×50: 1.28	25×35: 1.12	30×30: 1.17	35×25: 1.10
270		22×30: 1.18					25×45: 1.40	30×35: 1.36	35×30: 1.33
330		22×35: 1.37	25×25: 1.14				25×50: 1.55	30×40: 1.55	35×30: 1.35
390		22×40: 1.56	25×30: 1.38					30×45: 1.72	35×35: 1.53
470		22×45: 1.74	25×35: 1.61	30×25: 1.34				30×50: 1.89	35×40: 1.78
560		22×50: 1.92	25×40: 1.83	30×30: 1.63	35×25: 1.48				35×45: 1.98
680			25×45: 2.04	30×35: 1.90	35×30: 1.80				35×50: 2.19
820			25×50: 2.24	30×40: 2.15	35×30: 1.81				
1000				30×45: 2.39	35×35: 2.38				
1200				30×50: 2.62	35×40: 2.39				
1500					35×50: 2.92				

Cap(μF)	V.DC φD	420				450			
		φ22	φ25	φ30	φ35	φ22	φ25	φ30	φ35
82		22×25: 0.61				22×25: 0.60			
100		22×30: 0.74				22×30: 0.73	25×25: 0.72		
120		22×35: 0.86	25×25: 0.75			22×35: 0.84	25×30: 0.87		
150		22×40: 0.98	25×30: 0.90			22×40: 0.97	25×30: 0.89	30×25: 0.90	
180		22×45: 1.09	25×35: 1.05	30×25: 0.93		22×45: 1.08	25×35: 1.03	30×30: 1.08	
220		22×50: 1.21	25×40: 1.19	30×30: 1.12	35×25: 1.05		25×40: 1.17	30×30: 1.10	35×25: 1.04
270			25×45: 1.34	30×35: 1.30	35×30: 1.27		25×50: 1.43	30×35: 1.28	35×30: 1.25
330				30×40: 1.47	35×35: 1.45			30×45: 1.45	35×35: 1.43
390				30×45: 1.64	35×40: 1.68			30×50: 1.75	35×40: 1.66
470				30×50: 1.81	35×40: 1.71				35×45: 1.85
560					35×50: 2.07				35×50: 2.04

Cap(μF)	V.DC φD	500			
		φ22	φ25	φ30	φ35
47		22×25: 0.44			
56		22×30: 0.51			
68		22×30: 0.56	25×25: 0.55		
82		22×35: 0.68	25×30: 0.64	30×25: 0.63	
100		22×40: 0.77	25×35: 0.74	30×25: 0.69	
120		22×50: 0.87	25×35: 0.81	30×30: 0.81	35×25: 0.78
150			25×45: 0.97	30×35: 0.96	35×30: 0.92
180			25×50: 1.10	30×40: 1.07	35×30: 1.00
220				30×45: 1.22	35×40: 1.21
270					35×40: 1.32
330					35×45: 1.50
390					35×55: 1.73
470					35×60: 1.92

↑ Ripple Current (A r.m.s./120Hz, 105°C)  
Case Size φD×L(mm)