

Data & Signal, Plug, 3.5 mm, 2-pole, solder terminal, shielded



### Description

- Solder terminal:  
for cable mounting
- Data and Signal transfer
- Data and Signal Connectors 2-pole, shielded, straight

### References

Alternative: Housing insulated [4802.1210](#)

### Weblinks

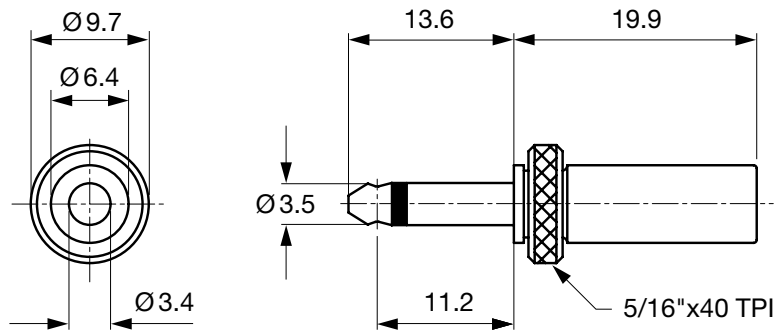
[pdf-datasheet](#), [html-datasheet](#), [General Product Information](#), [RoHS](#), [CHINA-RoHS](#), [REACH](#), [Mating Connectors](#), [e-Shop](#), [SCHURTER-Stock-Check](#), [Distributor-Stock-Check](#)

### Technical Data

Diameter	3.5 mm
Number of Poles	2-pole
Ratings DC	1 A / 12VDC
Ratings AC	1 A / 12VAC
Dielectric Strength	500VDC
Insulation Resistance	> 10000 MΩ @ 500VDC

Allowable Operation Temp.	-20°C to 70°C
Terminal	solder terminal lockable with screw locking
Housing	screened
Style	straight
Lifetime	10000 Insertions

### Dimensions



### All Variants

Product group	Diameter [mm]	Number of Poles	Terminal	Order Number
Data and Signal Plug/Sockets	3.5	2-pole	solder terminal	<a href="#">4802.1230</a>

Most Popular.

Availability for all products can be searched real-time: <http://www.schurter.com/en/Stock-Check/Stock-Check-SCHURTER>

**Packaging unit** 100 Pcs

## Mating Outlets/Connectors

## Category / Description

[Data and Signal Plug/Socket Overview complete](#)

Daten & Signal, Socket, 3.5 mm, 2-pole, solder terminal, insulated	<a href="#">4802.2210</a>
--	---------------------------

Daten & Signal, Socket, 3.5 mm, 2-pole, solder terminals for PCB, insulated	<a href="#">4802.2230</a>
---	---------------------------

[Data and Signal Plug/Socket further types to 4802 UK-Stecker, D=3,5mm](#)