

Daten & Signal, Socket, 6.3 mm, 3-pole, solder terminal, insulated



Description

- Solder terminal:
Screw-on mounting, from rear-side
- Data and Signal transfer
- Data and Signal Connectors 3-pole, insulated, straight
- Reinforced gold plating for increased insertions

References

Alternative: Housing shielded [4803.2300](#)

Weblinks

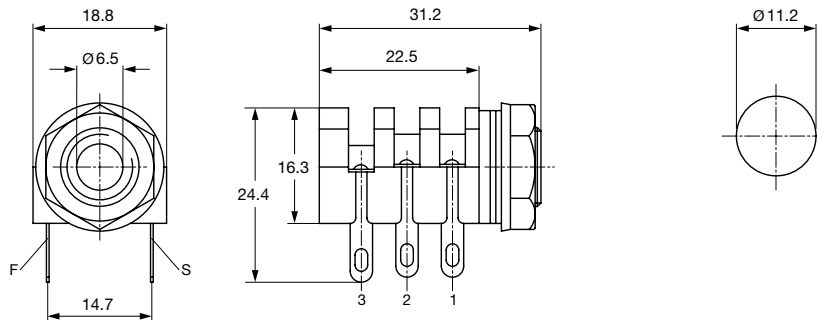
[pdf-datasheet](#), [html-datasheet](#), [General Product Information](#), [RoHS](#), [CHINA-RoHS](#), [REACH](#), [Mating Connectors](#), [e-Shop](#), [SCHURTER-Stock-Check](#), [Distributor-Stock-Check](#)

Technical Data

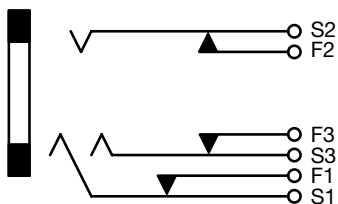
Diameter	6.3 mm
Number of Poles	3-pole
Ratings DC	2A / 12VDC
Ratings AC	2A / 12VAC
Dielectric Strength	1000VDC
Insulation Resistance	> 10000 MΩ @ 500VDC

Allowable Operation Temp.	-20 °C to 70 °C
Terminal	solder terminal
Mounting	Screw-on mounting wall thickness max. 4.0mm
Housing	insulated
Style	straight
Lifetime	10000 Insertions

Dimensions



Diagrams



All Variants

Product group	Diameter [mm]	Number of Poles	Terminal	Order Number
Data and Signal Plug/ Sockets	6.3	3-pole	solder terminal	4803.2310

Availability for all products can be searched real-time:<http://www.schurter.com/en/Stock-Check/Stock-Check-SCHURTER>

Packaging unit 100 Pcs

Mating Inlets/Plugs**Category / Description**

[Data and Signal Plug/Socket Overview complete](#)



Data & Signal, Plug, 6.3 mm, 3-pole, solder terminal, shielded	4803.1300
Data & Signal, Plug, 6.3 mm, 3-pole, solder terminal, insulated	4803.1310
Data & Signal, Plug, 6.3 mm, 3-pole, solder terminal, insulated, angled	4803.1320

[Data and Signal Plug/Socket further types to 4803 UK-Stecker, D=6,5mm](#)