

IEC Appliance Inlet C8 with Line Switch 1-pole



CMF1

C8  
  
70° C



### Description

- Panel Mount:  
Screw-on mounting on PCB, from top or bottom
- 2 Functions:  
Appliance Inlet Protection class II, Line Switch 1-pole
- For PCB mounting

### Characteristics

- Easy mounting with center bolt and snapper or screwed on PCB or housing
- Electrical connection done on the PCB
- Bi-positioning of the switch from left or right side, Standard CMF with switch on right side
- With or without rear-side insulation cover
- Suitable for use in equipment according to IEC/UL 60950

### Other versions on request

- Line switch with other rocker marking
- Line switch on left of inlet

### References

Alternative: polarized version or protection class I

### Weblinks

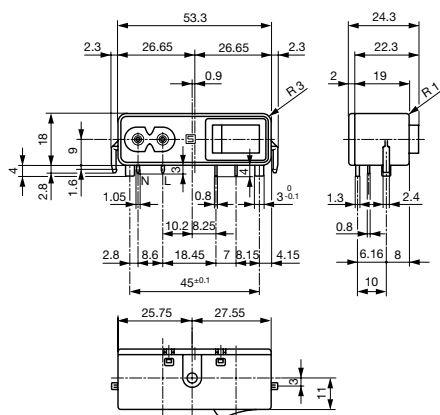
[pdf-datasheet](#), [html-datasheet](#), [General Product Information](#), [Approvals](#), [CE declaration of conformity](#), [RoHS](#), [CHINA-RoHS](#), [REACH](#), [Mating Connectors](#), [e-Shop](#), [SCHURTER-Stock-Check](#), [Distributor-Stock-Check](#), [CAD-Drawings](#), [Accessories](#), [Detailed request for product](#)

### Technical Data

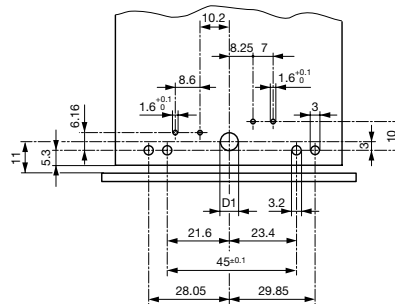
Ratings IEC	2.5 A / 250 VAC; 50 Hz
Ratings UL/CSA	6 A / 125 VAC; 60 Hz
Dielectric Strength	> 2.3 kVAC between L-N > 2.8 kVAC between L/N-PE (1 min/50 Hz)
Allowable Operation Temp.	-25 °C to 70 °C
Degree of Protection	from front side IP 40 acc. to IEC 60529
Protection Class	Suitable for appliances with protection class II acc. to IEC 61140
Terminal	PCB 1.6 mm
Material: Housing	Thermoplastic, black, UL 94V-0

Appliance Inlet	C8 acc. to IEC 60320, UL 498, CSA C22.2 no. 42 (for cold conditions) pin-temperature 70 °C, 2.5 A, Protection Class II
Line Switch	Rocker switch 1-pole, non-illuminated, acc. to IEC 61058-1 <a href="#">Technical Details</a>

## Dimensions



## Drilling Diagram / CMF1 and CMF2

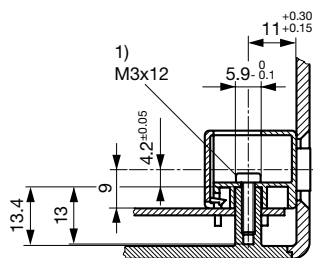
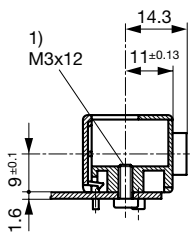


With insulation cover  
The size of the mounting cut-out can be selected as required.

D1 = 6.2 mm mounting from above / D1 = 3.6 mm mounting from below  
PC Board 1.6 mm / Dimensions without tolerance:  $\leq 15 = \pm 0.05$  /  $> 15 = \pm 0.10$   
Drilling diagram CMF4 and CMF5 mirror-inverted

Fixation on PCB or housing from below

Fixation on PCB or housing from above



1) self tapping screw

1) self tapping screw

## All Variants

Connectors	Mounting side	Cover	Ground terminal	Ground terminal direction	Order Number
C8	from below	with cover		-	CMF1.1131.12
C8	from below	without cover		-	CMF1.1031.12
C8	from top	with cover		-	CMF1.1111.12
C8	from top	without cover		-	CMF1.1011.12

Availability for all products can be searched real-time: <http://www.schurter.com/en/Stock-Check/Stock-Check-SCHURTER>

Packaging unit 50 Pcs