

IEC Appliance Inlet C20, Screw-on Mounting, Rear Side, PCB Terminal



C20  
  
70° C



**Description**

- Panel Mount:  
Screw-on mounting, from rear-side
- 1 Function
- Appliance Inlet, Pin temperature 70 °C, Protection class I
- For PCB mounting

**Approvals**

- UL File Number: E96454
- CSA File Number: 27324

**References**

We recommend for new applications the type [GSP4](#)

**Weblinks**

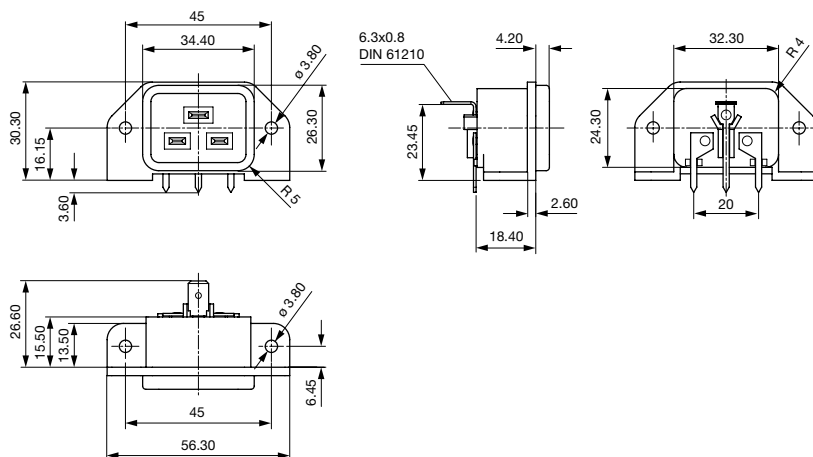
[pdf-datasheet](#), [html-datasheet](#), [General Product Information](#), [Approvals](#), [CE declaration of conformity](#), [RoHS](#), [CHINA-RoHS](#), [REACH](#), [Mating Connectors](#), [e-Shop](#), [SCHURTER-Stock-Check](#), [Distributor-Stock-Check](#), [CAD-Drawings](#), [Accessories](#), [Detailed request for product](#)

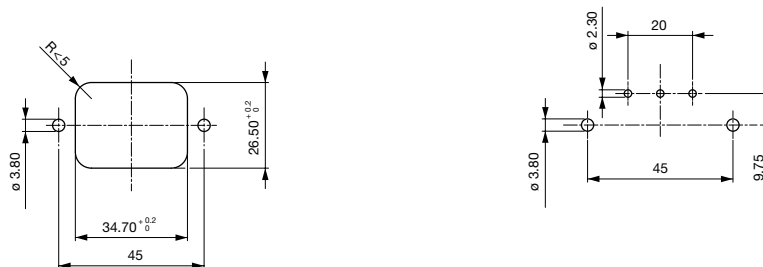
**Technical Data**

Ratings IEC	16 A / 250 VAC; 50 Hz
Ratings UL/CSA	20 A / 250 VAC; 60 Hz
Dielectric Strength	> 3 kVAC between L-N > 1.5 kVAC between L/N-PE (1 min/50 Hz)
Allowable Operation Temp.	-25 °C to 70 °C
Degree of Protection	from front side IP 20 acc. to IEC 60529
Protection Class	Suitable for appliances with protection class I acc. to IEC 61140
Terminal	For PCB mounting Solder terminal straight

Appliance Inlet	C20 acc. to IEC 60320 UL 498, CSA C22.2 no. 42 (for cold conditions) pin-temperature 70 °C, 16 A, Protection Class I
-----------------	---

**Dimensions**





Panel cut-out and Drilling diagram

**Config. Code**


1601 - H - A B C 0 - D - E I

The characters are placeholders for the correspondingly keys of selections from the key tables.

1601 - **H** - A B C 0 - D - E I = Type

Type	Configuration key
protection class I	X

1601 - H - **A** B C 0 - D - E I = Terminals

Terminal L	Configuration key
PCB-terminal standard (additional solder terminal) 	4

1601 - H - A **B** C 0 - D - E I = Terminals

Terminal N	Configuration key
PCB-terminal standard (additional solder terminal)	4

Symbols similar as in table A

1601 - H - A B **C** 0 - D - E I = Terminals

Terminal Ground	Configuration key
PCB-terminal long (additional solder terminal)	6

Symbols similar as in table A

1601 - H - A B C 0 - **D** - E I = Color

Color	Configuration key
Black	A
Grey	B
White	D

1601 - H - A B C 0 - D - **E** I = Style

Style	Configuration key
flange with through holes	2
flange with through holes (special type)	7

1601 - H - A B C 0 - D - E **I** = Additional Terminals

Additional Terminals	Configuration key
without terminal	0
Blade terminal (6.3 x 0.8 mm)	9

All Variants

Config. Code	Description	Order Number
1601-X-4460-A-29	1601, IEC Appliance Inlet C20, 70°CI, L: PCB-terminal standard (additional solder terminal), N: PCB-terminal standard (additional solder terminal), ground: PCB-terminal long (additional solder terminal), color: Black, design: flange with through holes, additional terminal L:Blade terminal (6.3 x 0.8 mm)	6163.0018
1601-X-4460-A-20	1601, IEC Appliance Inlet C20, 70°CI, L: PCB-terminal standard (additional solder terminal), N: PCB-terminal standard (additional solder terminal), ground: PCB-terminal long (additional solder terminal), color: Black, design: flange with through holes, additional terminal L:without terminal	6163.0019

The listet variants should be available from stock Other versions on request [www.schurter.com/contact](http://www.schurter.com/contact)

Most Popular.

Availability for all products can be searched real-time:<http://www.schurter.com/en/Stock-Check/Stock-Check-SCHURTER>

Packaging unit 50 Pcs

Mating Outlets/Connectors

Category / Description

[Connector Overview complete](#)



IEC Connector C19, Rewireable, Straight	4795
IEC Connector C19, Rewireable, Angled	4790
IEC Connector C19, Rewireable, Straight	0104U

[Connector further types to 1601](#)

[Power Supply Cord Overview complete](#)



EU Power Supply Cord with IEC Connector C19, straight/ angled	6004.0395
US Power Supply Cord with IEC Connector C19, straight	6009.5195

[Power Supply Cord further types to 1601](#)

[Power Supply or Interconnection Cord Overview complete](#)

Diverse Power Supply and Interconnection Cords 16 A	6003.0395
---	-----------

[Power Supply or Interconnection Cord further types to 1601](#)

Mating Outlets/Connectors shuttered

[Power Cord Overview complete](#)



Overview Power Cord with IEC Appliance Connector C19, V-Lock, straight	VAC19KS
--	---------

[Power Cord further types to 1601](#)