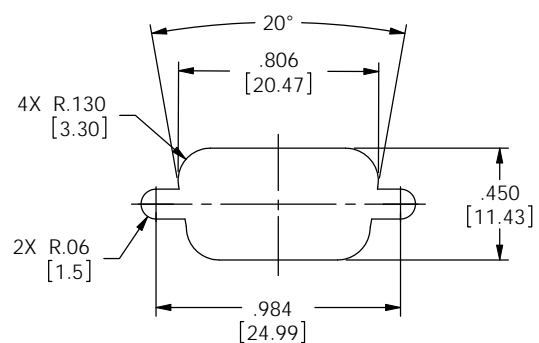


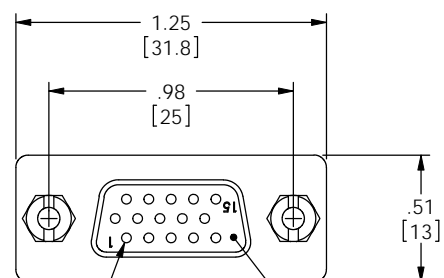
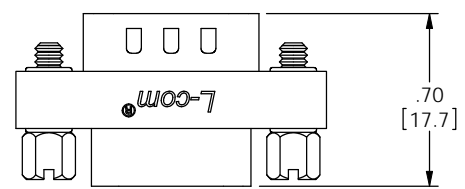
THE INFORMATION CONTAINED IN THIS DRAWING IS THE SOLE PROPERTY OF L-COM, INC. ANY REPRODUCTIONS IN PART OR WHOLE WITHOUT THE WRITTEN PERMISSION OF L-COM, INC. IS PROHIBITED.

REVISIONS			
REV	DESCRIPTION	DATE	CHANGED BY
G	ECN 4564-ADDED ROHS, UPDATED DRAWING AND NEW FORMAT	2/17/10	D.FRISIELLO
H	ECN 5937-ADDED NOTE FOR PANEL MOUNTING	1/24/12	D.FRISIELLO

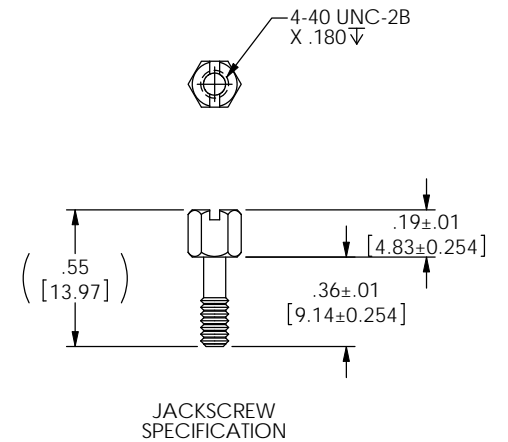


RECOMMENDED PANEL OPENING
(MAX PANEL THICKNESS: 0.06")

NOTE: DIFFERENT STANDOFFS AND JACK SCREWS ARE REQUIRED FOR PANEL MOUNTING. SEE WWW.L-COM.COM OR MASTER CATALOG FOR DETAILS.



PIN 1
15 PIN FEMALE HIGH DENSITY D-SUB CONNECTOR

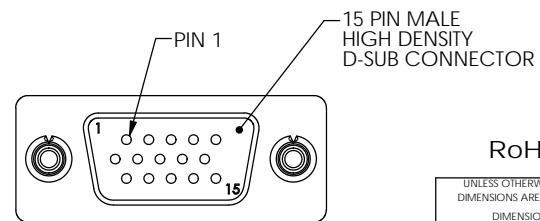
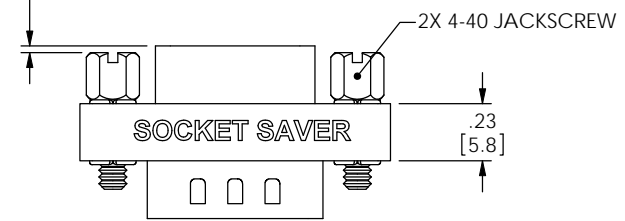


NOTES:
 MATERIAL:
 SHELL: STEEL
 CONTACTS: COPPER ALLOY
 HARDWARE: BRASS
 INSULATOR: PBT FIBER REINFORCED (UL94V-0 RATED)
 FINISH:
 SHELL: TIN/NICKEL PLATED
 CONTACTS: GOLD FLASH PLATED
 HARDWARE: NICKEL PLATED
 ELECTRICAL:
 CURRENT RATING: 3 AMP
 MISCELLANEOUS:
 OPERATING TEMPERATURE RANGE: -55°C TO +105°C.
 ALL CONTACTS ARE WIRED STRAIGHT THROUGH.
 COMPONENT SHALL BE TESTED FOR CONTINUITY.

LABELING:
 PANTONE 2945 BLUE. "L-COM" FONT MyriaMM ITALIC.
 "GENDER CHANGER" FONT ARIAL BOLD, TEXT HEIGHTS: .085"
 TEXT COLOR: WHITE.

PACKAGING:
 COMPONENT SHALL BE INDIVIDUALLY PACKAGED IN ACCORDANCE WITH L-COM SPECIFICATION PS-0031.

2X $.03^{+.00}_{-.03}$
 $[0.76^0_{-0.762}]$



RoHS Compliant ✓

UNLESS OTHERWISE SPECIFIED, DIMENSIONS ARE IN INCHES (mm)	APPROVALS	DATE
	DRAWN BY D.PARIAM	11/08/2001
	CHECKED BY T.CLARK	11/08/2001
	APPROVED BY R.CARRICK	11/08/2001
DIMENSIONAL TOLERANCES: .X = ±.1 .XX = ±.01 .XXX = ±.005	CONFIGURATION DETAILS OF UNDIMENSIONED FEATURES MAY VARY	
ANGULAR TOLERANCES: ALL = ± 1°	COLOR VARIATIONS MAY OCCUR	
PROJECTION		

Global Connectivity		45 BEECHWOOD DRIVE NORTH ANDOVER, MA 01845	
CATEGORY: D-SUBMINIATURE			
PRODUCT DESCRIPTION: SOCKET SAVER, HD15 MALE/FEMALE			
SIZE: B	P/SCM NO.: 43321	DWG. NO.: DGBH15MF	REV.: H
SCALE: 2:1		CAD FILE: DGBH15MF.SLDDRW	SHEET 1 OF 1