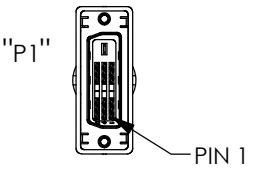
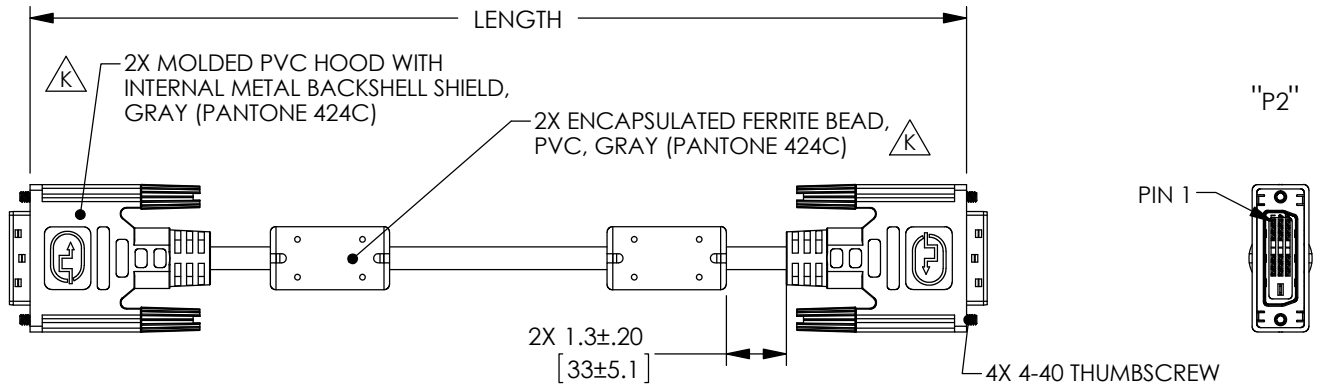


THE INFORMATION CONTAINED IN THIS DRAWING IS THE SOLE PROPERTY OF L-COM, INC. ANY REPRODUCTION IN PART OR WHOLE WITHOUT THE WRITTEN PERMISSION OF L-COM, INC. IS PROHIBITED.

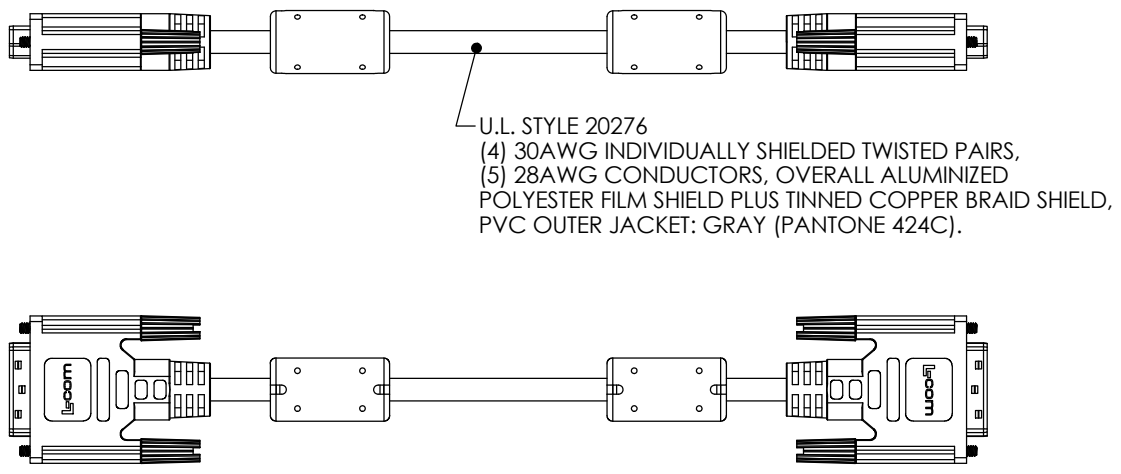
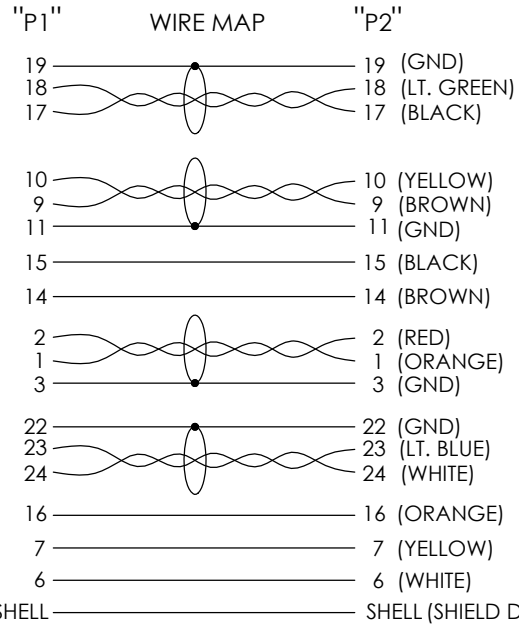
RoHS Compliant ✓

REVISIONS			
REV	DESCRIPTION	DATE	APPROVED
G	ECN 4320: ADDED NOTES 3 & 4	12/16/09	D.CASTRO
H	ECN 5837: ADDED LOGO	11/15/11	D.CASTRO
J	ECN 6176: BECAME PREMIUM CABLE, SHIELDED BEADS	4/15/12	D.FRISIELLO
K	ECN 6186: REMOVED INT. METAL BACKSHELL IN FERR. DESC. ADDED TO HOOD	5/24/12	D.DESJARDIN

MODEL NUMBER	LENGTH	
	FEET	METERS
CTLDVIMM-3	3.0	[.92]
CTLDVIMM-5	5.0	[1.52]
CTLDVIMM-10	10.0	[3.05]
CTLDVIMM-15	15.0	[4.57]



2X MALE DVI-D SINGLE LINK CONNECTOR
30µ" GOLD PLATED CONTACTS



PIN 8 NO CONNECTION

- NOTES:**
1. CABLE ASSEMBLIES SHALL BE TESTED FOR CONTINUITY.
 2. CABLE ASSEMBLIES SHALL BE INDIVIDUALLY PACKAGED IN ACCORDANCE WITH L-COM SPEC. PS-0031.
 3. DUST COVERS INSTALLED FOR SHIPPING (NOT SHOWN).

UNLESS OTHERWISE SPECIFIED, DIMENSIONS ARE IN INCHES [mm] OVERALL CABLE LENGTH TOLERANCE: ≤12 [305] = +1 [25] / -0 >12 [305] ≤60 [1524] = +2 [51] / -0 >60 [1524] ≤120 [3048] = +4 [102] / -0 >120 [3048] ≤300 [7620] = +6 [152] / -0 >300 [7620] = +5% / -0% ALL OTHER DIMENSIONAL TOLERANCES: .X = ±.2 [5.08] .XX = ±.02 [51] .XXX = ±.005 [1.27]	APPROVALS DRAWN BY TJC CHECKED BY RC APPROVED BY ZW	DATE 12/7/00 3/2/01 3/5/01	45 BEECHWOOD DRIVE NORTH ANDOVER, MA 01845	
	CONFIGURATION DETAILS OF UNDIMENSIONED FEATURES MAY VARY		CATEGORY AUDIO/VIDEO	
	PROJECTION 		PRODUCT DESCRIPTION CA DVI-D M/DVI-D M W/FERR	
	COLOR VARIATIONS MAY OCCUR		SIZE A	FSCM NO. 43321
SCALE: NONE			CAD FILE: CTLDVIMM.SLDRW	
			SHEET 1 OF 1	