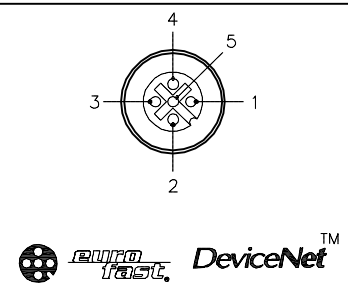
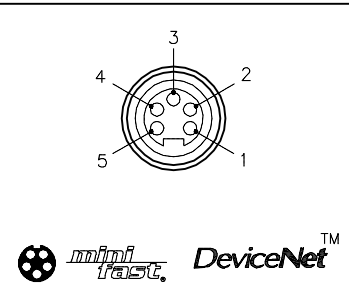
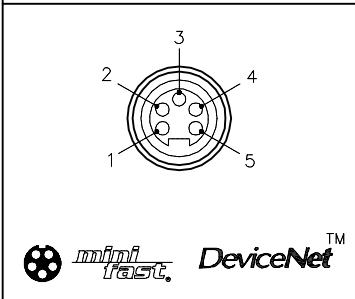


FEMALE END VIEW

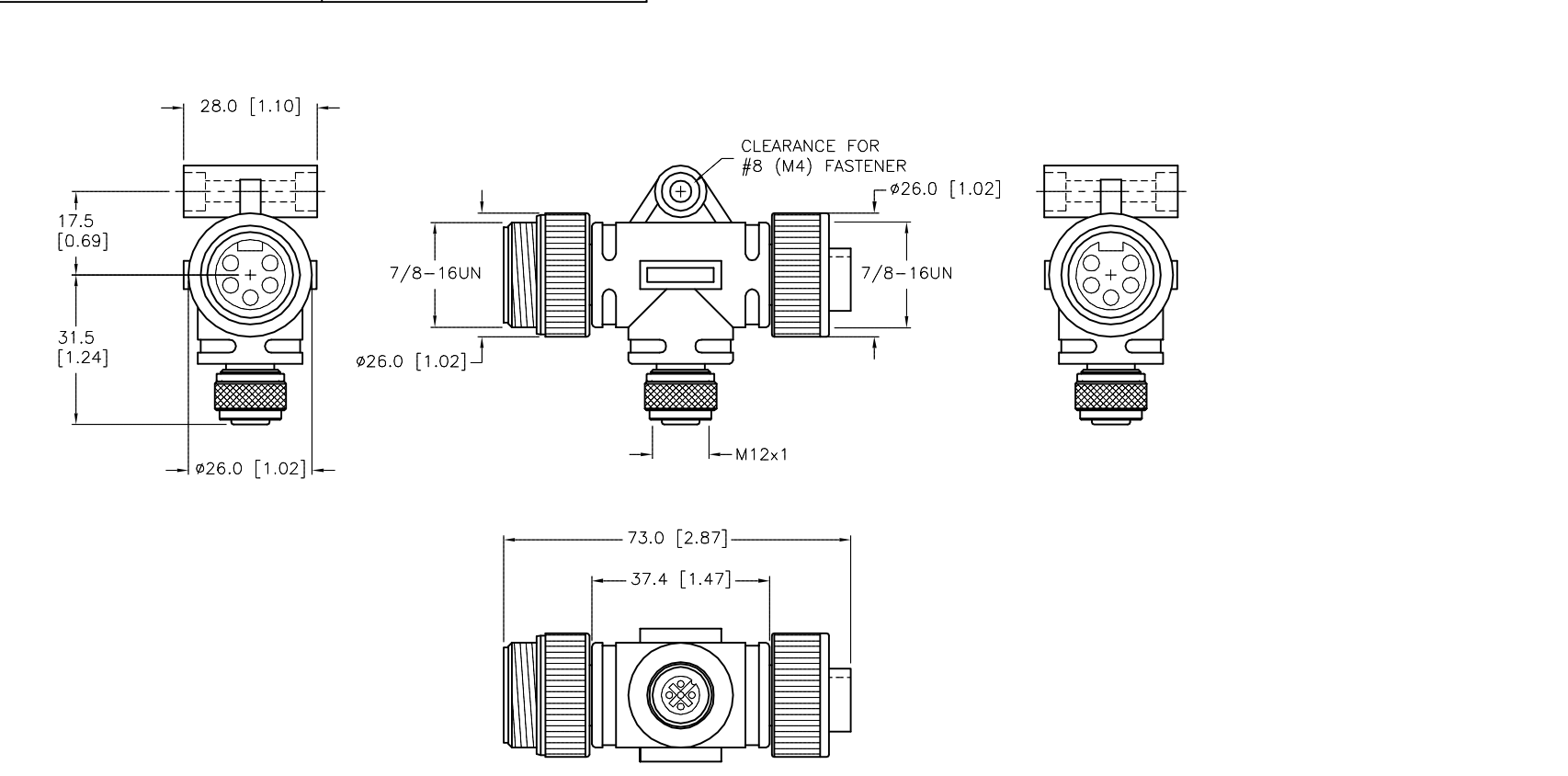
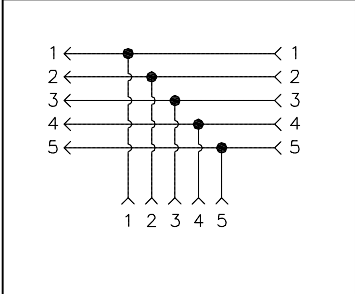
MALE END VIEW

FEMALE END VIEW

SPECIFICATIONS	
CONTACT CARRIER MATERIAL	NYLON OR TPU
MOLDED HEAD MATERIAL/COLOR	TPU/BLUE-GRAY
CONTACT MATERIAL/PLATING	BRASS/GOLD
COUPLING NUT MATERIAL/PLATING	BRASS/NICKEL
RATED CURRENT [A]	4.0 A
RATED VOLTAGE [V]	250 V
TEMPERATURE RATING	-40°C TO +75°C (-40°F TO +167°F)
PROTECTION CLASS	MEETS NEMA 1,3,4,6P AND IEC IP67



WIRING DIAGRAM



SOURCE DRAWING - FOR REFERENCE ONLY

RELATED DOCUMENTS 1. 2. 3. 4.	3RD ANGLE PROJECTION 	THIS DRAWING IS CONFIDENTIAL AND THE PROPERTY OF TURCK INC. USE OF THIS DOCUMENT WITHOUT WRITTEN PERMISSION IS PROHIBITED.		3000 CAMPUS DRIVE MINNEAPOLIS, MN 55441 1-800-544-7769 (763) 553-7300 (763) 553-0708 fax turck.com	
	MATERIAL	DRFT JBJ APVD	DATE 2/12/97 SCALE 1=1.5	DESCRIPTION RSM FKM RKM 57	
	FINISH	UNIT OF MEASUREMENT MILLIMETER [INCH]			
	ALL DIMENSIONS DISPLAYED ON THIS DRAWING ARE FOR REFERENCE ONLY CONTACT TURCK FOR MORE INFORMATION		DO NOT SCALE THIS DRAWING		FILE: U0142

L	UPDATE CONTACT CARRIER MATERIAL	RDS	02/23/12	27902
REV	DESCRIPTION	BY	DATE	ECO NO.