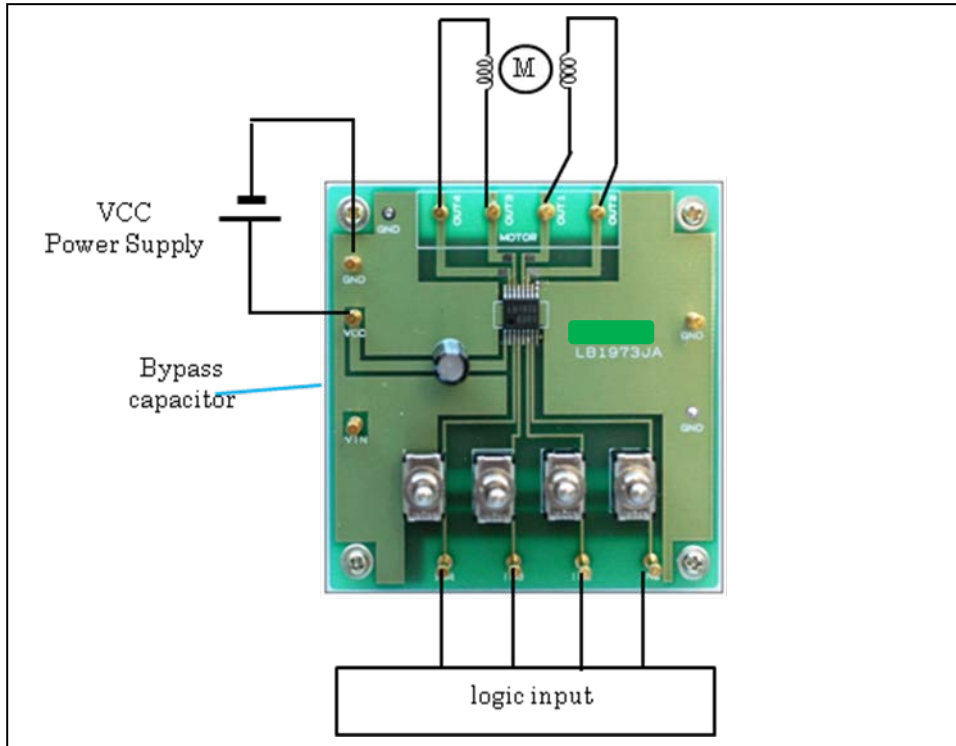


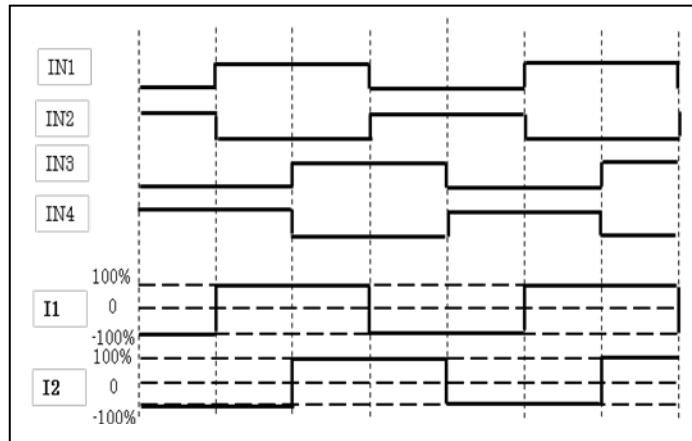
Test Procedure for the LB1973JAGEVB Evaluation Board

For stepper motor



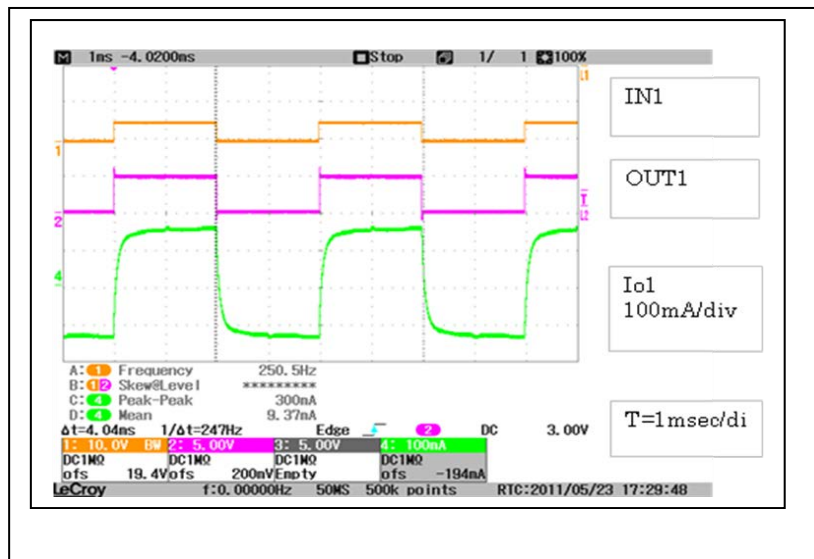
Testing Method

- Connect a stepper motor with OUT1, OUT2, OUT3 and OUT4.
- Connect the motor power supply with the terminal VCC.
- Connect the GND line with the terminal GND.
- Stepper motor drives it in 2phase excitation by inputting a signal such as follows into IN1 and IN2 and IN3 and IN4.
- Check the stepper motor is rotating.
- Check the waveform of the output voltage and current. (Please refer to the following waveform example.)

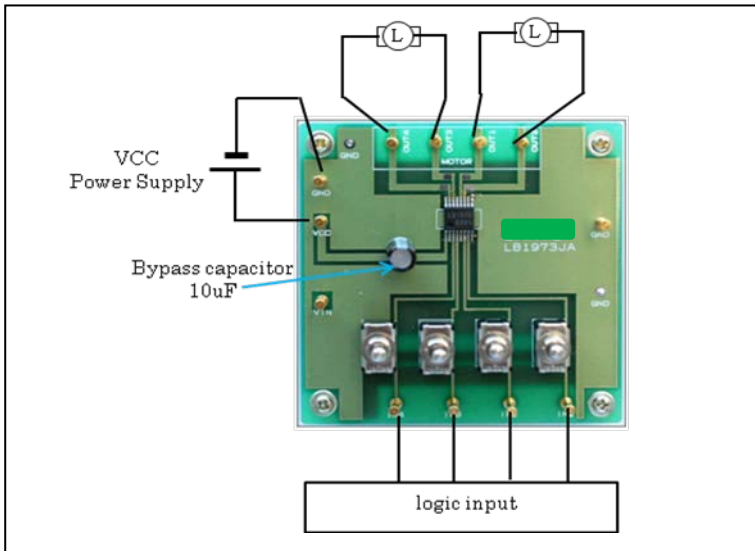


2 phase excitation timing chart

Stepper motor driving waveform example

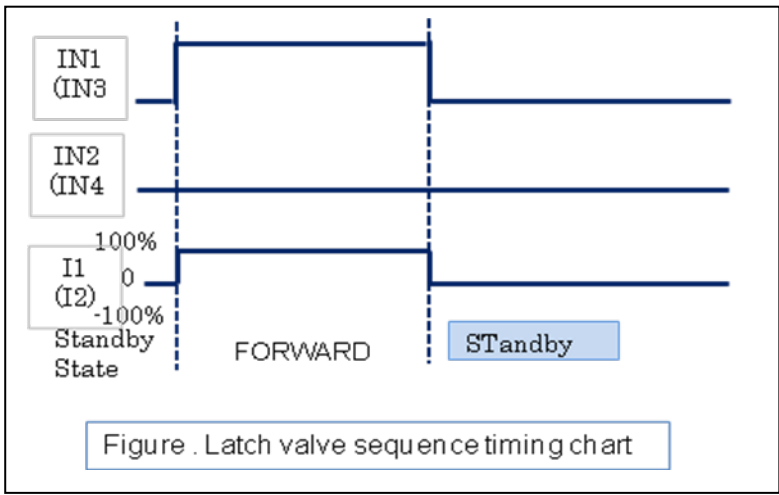


Latch Valve



Testing Method

- Connect a Latch valve with OUT1, OUT2, or OUT3 and OUT4.
- Connect the Latch valve power supply with the terminal VCC.
- Connect the GND line with the terminal GND. Latch valve drives it by inputting a signal such as follows into IN1 and IN2 and IN3 and IN4.
- Check the stepper motor is rotating.
- Check the waveform of the output voltage and current. (Please refer to the following waveform example.)



Latch valve driving waveform example

