

C-Series

Single Pole Toggle Switches

The C-Series single pole compact high current toggle switches are ideal for applications with back panel size constraints. These switches feature self-cleaning contacts and ratings up to 20A 125VAC, 10A 250VAC, 1 1/2 HP 125-250VAC. With a rugged metal construction, these switches figure prominently in the Environmental Controls, Marine, Food Service, Vacuum Cleaner and various other general purpose markets with stringent current carrying requirements.



Carling Technologies®

Innovative Designs. Powerful Solutions.

INNOVATIVE DESIGNS. POWERFUL SOLUTIONS.

Carling Technologies, Inc.
60 Johnson Avenue • Plainville, CT 06062-1177
Phone: (860) 793-9281 • Fax: (860) 793-9231
Email: sales@carlingtech.com • www.carlingtech.com

Dielectric Strength

1000V - live to dead metal parts and opposite polarity.

Electrical Life

25,000 cycles

Mechanical Life

100,000 cycles

Operating Temperature

32°F to 185°F (0°C to 85°C)

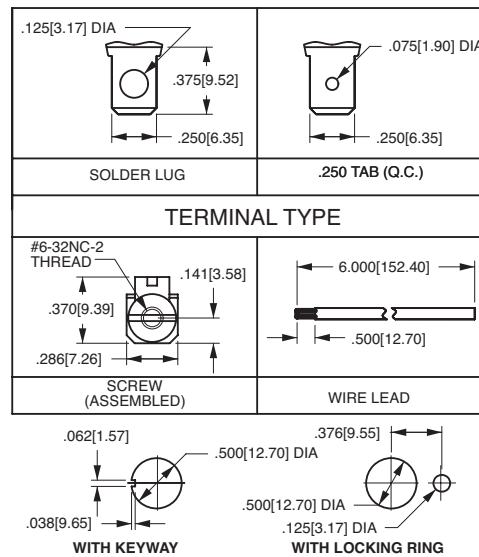
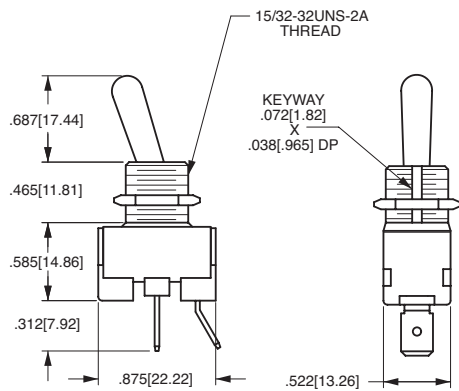
CA201 - **73**

¹ Base Part Number ² Actuator Style

1 BASE PART NUMBER: SERIES/POLES/CIRCUITRY/RATING/TERMINATION				
10A 250VAC, 20A 125VAC, 1 1/2 HP 125-250VAC				
Single Pole	Solder Lug	.250 Tab	Screw Term.	Wire Leads
On-None-Off	CA200	CA201	CA204	CA205
On-None-On	CB200	CB201	CB204	CB205

2 ACTUATOR STYLE¹				
BAT	unsealed	sealed	toggle length	bushing length
	73	78	0.687	0.465

Notes:
 1 Additional toggle styles available. Consult factory.



*Manufacturer reserves the right to change product specification without prior notice.