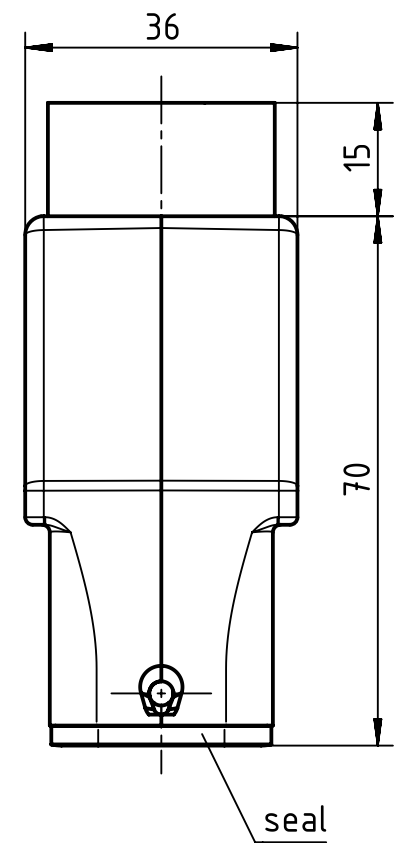
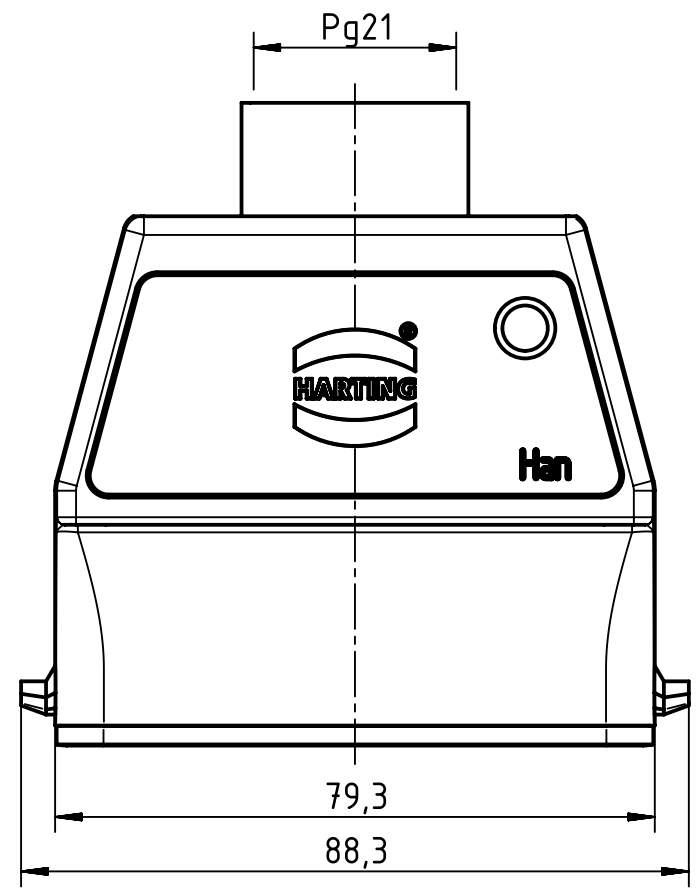
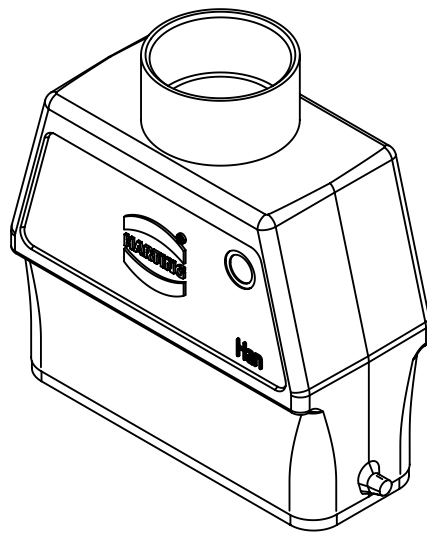
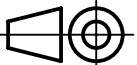



1 2 3 4 5 6

A
B
C
D



 All Dimensions in mm Original Size DIN A4	Scale	Free size tol.			Ref.
	1:1				Sub. TB 09 20 016 0441 v. 09.04.10
 All rights reserved Department EL PD - DE	Created by	Inspected by	Standardisation	Date	State
	HOLLERT	SCHLEPP	TIEMANNA	2014-06-03	Final Release
HARTING Electric GmbH & Co. KG D-32339 Espelkamp	Title				Doc-Key / ECM-Nr.
	Han A Hood Top Entry HC 2 Pegs PG 21				100189480/UGD/006/A 500000065280
Type	Number	Rev.	Page		
TB	09 20 016 0441	A	1/1		