

SLOPED-FRONT 30.5-MM AND 22.5-MM PUSHBUTTON ENCLOSURES, TYPE 12

APPLICATION

These Sloped Front Pushbutton Enclosures are designed to hold 30.5-mm or 22.5-mm pushbuttons and switches where slanted control surfaces are desired.

SPECIFICATIONS

- 14 gauge steel
- Seams continuously welded and ground smooth
- Captivated cover screws thread into sealed wells
- Grounding nut in body of enclosure
- Bonding provision on cover
- Oil-resistant gasket
- Factory stamped 4-way pushbutton holes
- Enclosures 7.25 x 6.25 x 6.75 in. (184 x 159 x 171 mm) and larger have internal detachable hinge to hold cover open during wiring, yet permit immediate removal
- External mounting brackets

INDUSTRY STANDARDS

UL 508A Listed; Type 12, 13; File No. E61997
 cUL Listed per CSA C22.2 No. 94; Type 12, 13; File No. E61997

NEMA/EEMAC Type 12, 13
 CSA File Number 42186: Type 12
 IEC 60529, IP65

FINISH

ANSI 61 gray polyester powder paint inside and out

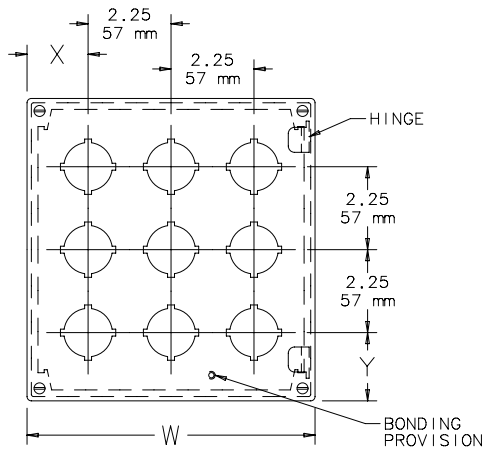
ACCESSORIES

See also *Accessories*.
 Industrial Corrosion Inhibitors
 HOL-SEALERS™ Hole Seals
 Tamper-Resistant Screws

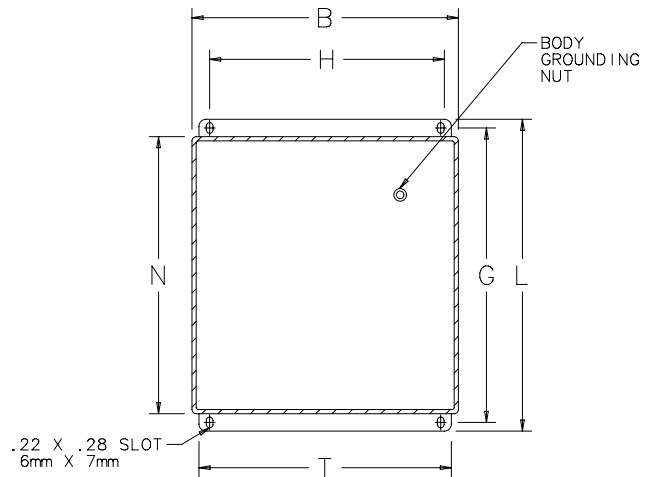
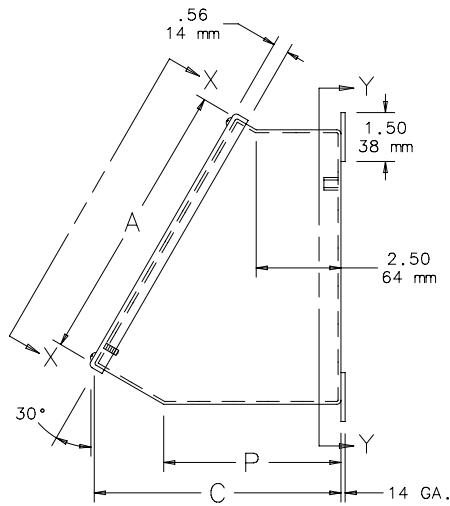
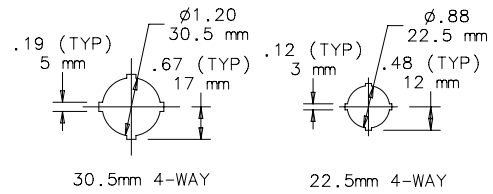
BULLETIN: PB1

Standard Product

Catalog Number	AxBxC in.	AxBxC mm	Hole Size	No. of Holes	Mounting G x H (in.)	Mounting G x H (mm)	Overall L x W (in.)	Overall L x W (mm)	N (in.)	N (mm)	P (in.)	P (mm)	T (in.)	T (mm)	X (in.)	X (mm)	Y (in.)	Y (mm)
E1PBA	3.50 x 3.25 x 4.84	89 x 83 x 123	30.5 mm	1	4.03 x 2.38	102 x 60	4.53 x 3.47	115 x 88	3.53	90	3.34	85	3.00	76	1.73	44	1.86	47
E1PBAM	3.50 x 3.25 x 4.84	89 x 83 x 123	22.5 mm	1	4.03 x 2.38	102 x 60	4.53 x 3.47	115 x 88	3.53	90	3.34	85	3.00	76	1.73	44	1.86	47
E2PBA	3.50 x 5.50 x 4.84	89 x 140 x 123	30.5 mm	2	4.03 x 4.62	102 x 117	4.53 x 5.72	115 x 145	3.53	90	3.34	85	5.25	133	1.73	44	1.86	47
E2PBAM	3.50 x 5.50 x 4.84	89 x 140 x 123	22.5 mm	2	4.03 x 4.62	102 x 117	4.53 x 5.72	115 x 145	3.53	90	3.34	85	5.25	133	1.73	44	1.86	47
E3PBA	3.50 x 7.75 x 4.84	89 x 197 x 123	30.5 mm	3	4.03 x 6.88	102 x 175	4.53 x 7.97	115 x 202	3.53	90	3.34	85	7.50	191	1.73	44	1.86	47
E3PBAM	3.50 x 7.75 x 4.84	89 x 197 x 123	22.5 mm	3	4.03 x 6.88	102 x 175	4.53 x 7.97	115 x 202	3.53	90	3.34	85	7.50	191	1.73	44	1.86	47
E4PBA	3.50 x 10.00 x 4.84	89 x 254 x 123	30.5 mm	4	4.03 x 9.12	102 x 232	4.53 x 10.22	115 x 260	3.53	90	3.34	85	9.75	248	1.73	44	1.86	47
E4PBAM	3.50 x 10.00 x 4.84	89 x 254 x 123	22.5 mm	4	4.03 x 9.12	102 x 232	4.53 x 10.22	115 x 260	3.53	90	3.34	85	9.75	248	1.73	44	1.86	47
E4SPBA	7.25 x 6.25 x 6.75	184 x 159 x 171	30.5 mm	4	7.28 x 5.38	185 x 137	7.78 x 6.47	198 x 164	6.78	172	5.22	133	6.00	152	2.11	54	2.61	66
E4SPBAM	7.25 x 6.25 x 6.75	184 x 159 x 171	22.5 mm	4	7.28 x 5.38	185 x 137	7.78 x 6.47	198 x 164	6.78	172	5.22	133	6.00	152	2.11	54	2.61	66
E6PBA	7.25 x 8.50 x 6.75	184 x 216 x 171	30.5 mm	6	7.28 x 7.62	185 x 194	7.78 x 8.72	198 x 221	6.78	172	5.22	133	8.25	210	2.11	54	2.61	66
E6PBAM	7.25 x 8.50 x 6.75	184 x 216 x 171	22.5 mm	6	7.28 x 7.62	185 x 194	7.78 x 8.72	198 x 221	6.78	172	5.22	133	8.25	210	2.11	54	2.61	66
E8PBA	7.25 x 10.75 x 6.75	184 x 273 x 171	30.5 mm	8	7.28 x 9.88	185 x 251	7.78 x 10.97	198 x 279	6.78	172	5.22	133	10.50	267	2.11	54	2.61	66
E8PBAM	7.25 x 10.75 x 6.75	184 x 273 x 171	22.5 mm	8	7.28 x 9.88	185 x 251	7.78 x 10.97	198 x 279	6.78	172	5.22	133	10.50	267	2.11	54	2.61	66
E9PBA	9.50 x 8.50 x 7.88	241 x 216 x 200	30.5 mm	9	9.25 x 7.62	235 x 194	9.73 x 8.72	247 x 221	8.73	222	6.34	161	8.25	210	2.11	54	2.61	66
E9PBAM	9.50 x 8.50 x 7.88	241 x 216 x 200	22.5 mm	9	9.25 x 7.62	235 x 194	9.73 x 8.72	247 x 221	8.73	222	6.34	161	8.25	210	2.11	54	2.61	66
E10PBA	7.25 x 13.00 x 6.75	184 x 330 x 171	30.5 mm	10	7.28 x 12.12	185 x 308	7.78 x 13.22	198 x 336	6.78	172	5.22	133	12.75	324	2.11	54	2.61	66
E10PBAM	7.25 x 13.00 x 6.75	184 x 330 x 171	22.5 mm	10	7.28 x 12.12	185 x 308	7.78 x 13.22	198 x 336	6.78	172	5.22	133	12.75	324	2.11	54	2.61	66
E12PBA	7.25 x 15.25 x 6.75	184 x 387 x 171	30.5 mm	12	7.28 x 14.38	185 x 365	7.78 x 15.47	198 x 393	6.78	172	5.22	133	15.00	381	2.11	54	2.61	66
E12PBAM	7.25 x 15.25 x 6.75	184 x 387 x 171	22.5 mm	12	7.28 x 14.38	185 x 365	7.78 x 15.47	198 x 393	6.78	172	5.22	133	15.00	381	2.11	54	2.61	66
E12SPBA	11.75 x 8.50 x 9.00	298 x 216 x 229	30.5 mm	12	11.19 x 7.62	284 x 194	11.69 x 8.72	297 x 221	10.69	272	7.47	190	8.25	210	2.11	54	2.61	66
E12SPBAM	11.75 x 8.50 x 9.00	298 x 216 x 229	22.5 mm	12	11.19 x 7.62	284 x 194	11.69 x 8.72	297 x 221	10.69	272	7.47	190	8.25	210	2.11	54	2.61	66
E16SPBAH	7.25 x 19.75 x 6.75	184 x 502 x 171	30.5 mm	16	7.28 x 18.88	185 x 480	7.78 x 19.97	198 x 507	6.78	172	5.22	133	19.50	495	2.11	54	2.61	66
E16SPBAHM	7.25 x 19.75 x 6.75	184 x 502 x 171	22.5 mm	16	7.28 x 18.88	185 x 480	7.78 x 19.97	198 x 507	6.78	172	5.22	133	19.50	495	2.11	54	2.61	66
E16PBA	11.75 x 10.75 x 9.00	298 x 273 x 229	30.5 mm	16	11.19 x 9.88	284 x 251	11.69 x 10.97	297 x 279	10.69	272	7.47	190	10.50	267	2.11	54	2.61	66
E16PBAM	11.75 x 10.75 x 9.00	298 x 273 x 229	22.5 mm	16	11.19 x 9.88	284 x 251	11.69 x 10.97	297 x 279	10.69	272	7.47	190	10.50	267	2.11	54	2.61	66
E20PBA	11.75 x 13.00 x 9.00	298 x 330 x 229	30.5 mm	20	11.19 x 12.12	284 x 308	11.69 x 13.22	297 x 336	10.69	272	7.49	190	12.75	324	2.11	54	2.61	66
E20PBAM	11.75 x 13.00 x 9.00	298 x 330 x 229	22.5 mm	20	11.19 x 12.12	284 x 308	11.69 x 13.22	297 x 336	10.69	272	7.49	190	12.75	324	2.11	54	2.61	66
E25PBA	14.00 x 13.00 x 10.12	356 x 330 x 257	30.5 mm	25	13.12 x 12.12	333 x 308	13.62 x 13.22	346 x 336	12.62	321	8.59	218	12.75	324	2.11	54	2.61	66
E25PBAM	14.00 x 13.00 x 10.12	356 x 330 x 257	22.5 mm	25	13.12 x 12.12	333 x 308	13.62 x 13.22	346 x 336	12.62	321	8.59	218	12.75	324	2.11	54	2.61	66
E30PBA	14.00 x 15.25 x 10.12	356 x 387 x 257	30.5 mm	30	13.12 x 14.38	333 x 365	13.62 x 15.47	346 x 393	12.62	321	8.59	218	15.00	381	2.11	54	2.61	66
E30PBAM	14.00 x 15.25 x 10.12	356 x 387 x 257	22.5 mm	30	13.12 x 14.38	333 x 365	13.62 x 15.47	346 x 393	12.62	321	8.59	218	15.00	381	2.11	54	2.61	66



VIEW X-X



SECTION Y-Y

Hole Arrangement

