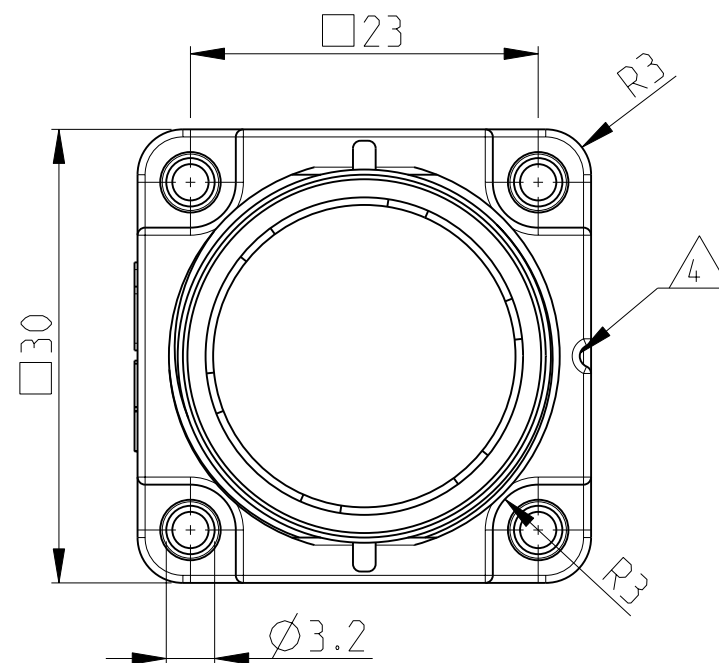
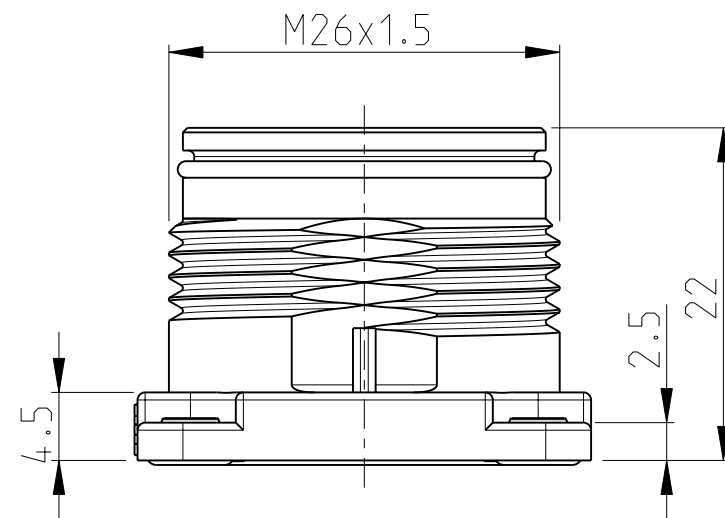
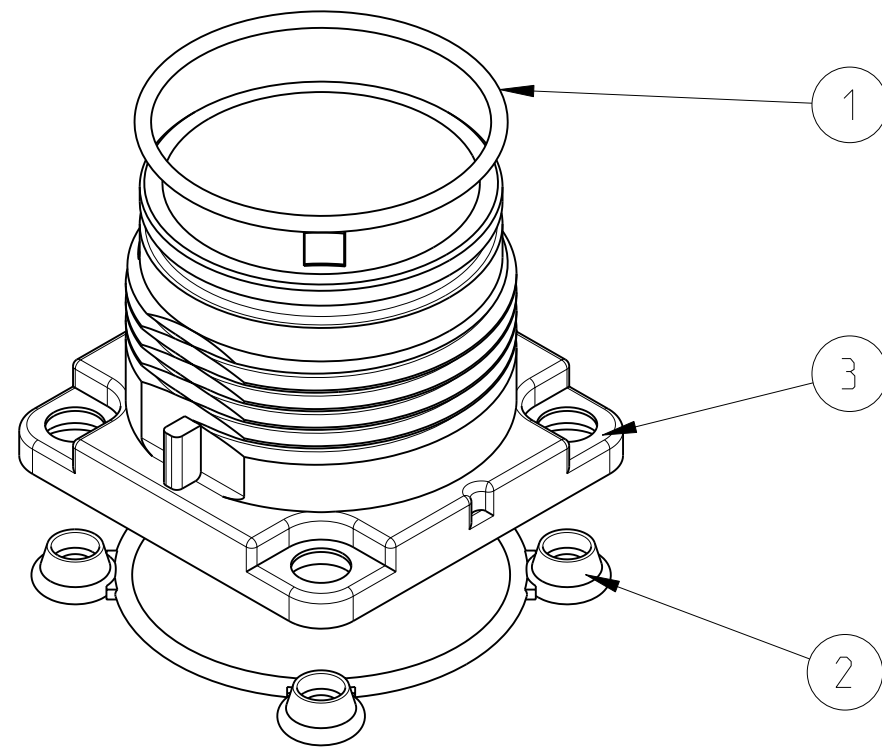


LOC	DIST	REVISIONS					
		P	LTR	DESCRIPTION	DATE	DWN	APVD
A1	-		E3	ECR-12-001008	09JAN2012	GW	BR



Notes

- 1 SUITABLE HOUSINGS: SERIES HC26
CUSTOMER DRAWING: 1103433 , 1103467
- 2 SUITABLE INSERTS: SERIES HC26
CUSTOMER DRAWING: 1103428, 1103429,
1103431, 1103432
- 3 STANDARDS:
DIN EN 61984, DIN EN 60664-1
- 4 CODING GROOVE
- 5 PACKAGING:
40 SETS IN A CARTON, PRE-MOUNTED

PN 0-1 AS SHOWN

QTY	DESCRIPTION	MATERIAL	SURFACE/COLOR	NOTE	ITEM
1	BULKHEAD HOUSING	PA66-GF25	GREY	SERIES HC26, DESIGN PLASTIC	3
1	SEALING	FKM	GREY	SERIES HC26, BULKHEAD HSG.	2
1	O-RING	FKM, 70	BLACK	20.0x1.25 DIN 3771	1

PARTS LIST

THIS DRAWING IS A CONTROLLED DOCUMENT.		DWN	28JUN2007		<p>ABSOLUTE NOT THE LATEST REVISION</p>
		CHK	T.VETTER 27OCT2008		
		APVD	T.SCHNURPFEL 27OCT2008		
		PRODUCT SPEC	-		
DIMENSIONS: mm		TOLERANCES UNLESS OTHERWISE SPECIFIED:		NAME	
		0 PLC	±	BULKHEAD HOUSING ASS'Y	
		1 PLC	±	SERIES HC26, DESIGN PLASTIC	
		2 PLC	±	POWER 4 NET	
		3 PLC	±	SIZE	
		4 PLC	±	CAGE CODE	
		ANGLES	±	DRAWING NO	
		FINISH	-	RESTRICTED TO	
MATERIAL -				A3 00779 ©1103433	
				SCALE 2:1 SHEET 1 OF 1 REV E3	
				CUSTOMER DRAWING	