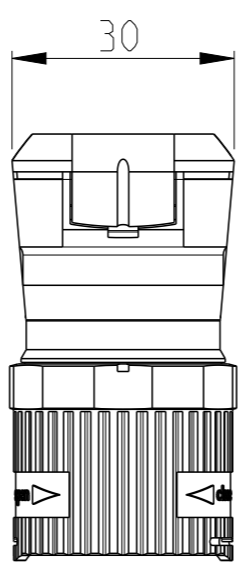
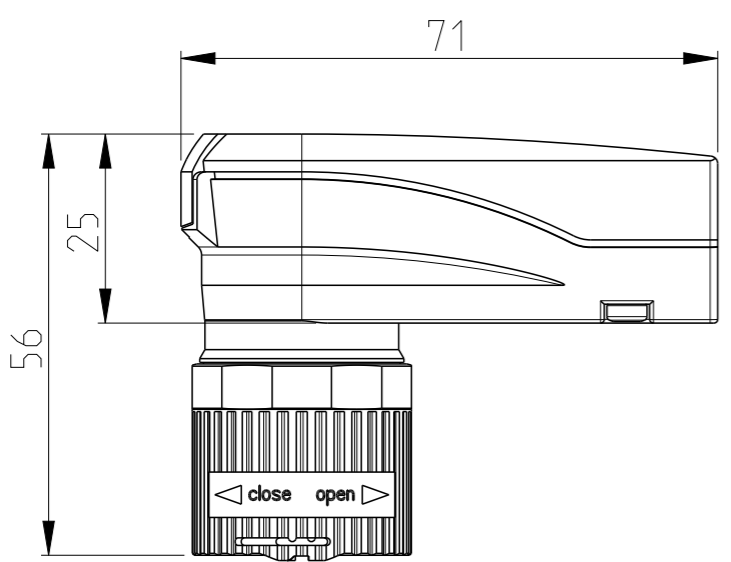


THIS DRAWING IS UNPUBLISHED  
 VERTRAULICHE UNVERÖFFENTLICHTE ZEICHNUNG  
 © COPYRIGHT 2007 Tyco Electronics AMP GmbH  
 RELEASED FOR PUBLICATION  
 FREI FUER VERÖFFENTLICHUNG  
 25.SEP. 2007  
 ALL RIGHTS RESERVED.  
 ALLE RECHTE VORBEHALTEN.

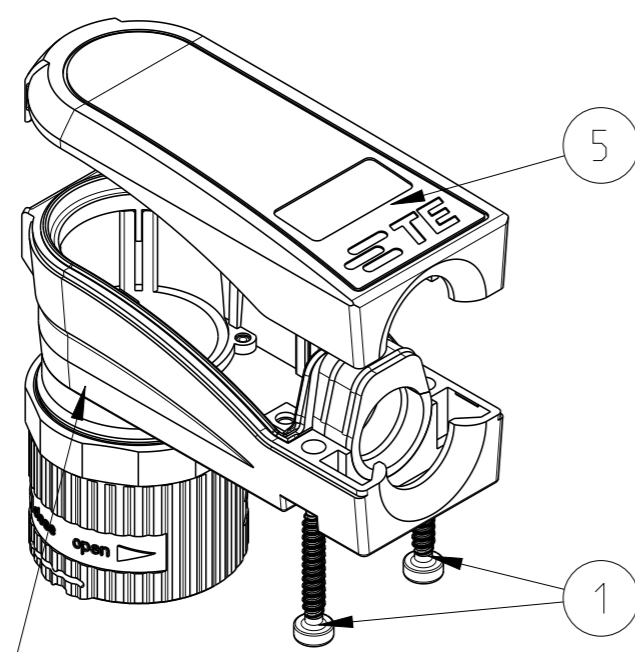
MATED WITH: PASSEND ZU:	LOC AI	DIST -	REVISIONS ÄNDERUNGEN					
	PROJEKT NR.:		P	LTR	DESCRIPTION BESCHREIBUNG	DATE	DWN	APVD
				E1	RETAINING RING CHANGED (ITEM 6)	22NOV2012	KHH	PK
				E2	ITEM 3: SEALING ADDED, E-14-012156	12AUG2014	EC	DO



PN 0-1 AS SHOWN

Notes

- SUITABLE HOUSINGS: SERIES HC26  
CUSTOMER DRAWING: 1103433, 1103470
- SUITABLE INSERTS: SERIES HC26  
CUSTOMER DRAWING: 1103428, 1103429, 1103431, 1103432
- STANDARDS:  
DIN EN 61984, DIN EN 60664-1
- PACKAGING PN 0-1:  
40 SETS IN A CARTON
- PACKAGING PN 0-2:  
500 PIECES IN A CARTON
- PACKAGING PN 0-3:  
500 PIECES IN A CARTON
- PACKAGING PN 0-4:  
1000 PIECES IN A CARTON
- SUITABLE: ACCESSORY KIT:  
CUSTOMER DRAWING 1103519
- SEAL GLUED AROUND INTO ANGLED  
CONNECTOR HOUSING WITH LOCTITE 406



QTY/PN	DESCRIPTION	MATERIAL	SURFACE/COLOR	NOTE	ITEM			
-	1	1	RETAINING RING	BRASS	NICKEL PLATED	SERIES HC26, CONN./ COUPL. HSG.	7	
-	1	1	COUPLING NUT	PA66-GF25	GREY	SERIES HC26, CONN. HSG., DESIGN PLASTIC	6	
-	1	-	1	COVER	PA66-GF25	GREY	SERIES HC26, CONN. HSG., DESIGN PLASTIC	5
-	-	1	1	ANGLED CONNECTOR HOUSING	PA66-GF25	GREY	SERIES HC26, DESIGN PLASTIC	4
-	-	-	1	SEALING	FKM	GREY	SERIES HC26, WIRE SIZE 11.5-12.0	3
-	-	1	1	SEALING	FKM	GREY	SERIES HC26, INTERMATE	2
1	-	-	2	SCREW FOR PLASTICS	STEEL	ZINC PLATED	WN5452, 10IP3.0x18	1
0-4	0-3	0-2	0-1					

2 3 4 6 7

DIESE ZEICHNUNG IST EIN KONTROLLIERTES DOKUMENT.  
 BEMASSUNGEN UND TOLERANZEN GEMAESS GPS (ISO STANDARDS).

THIS DRAWING IS A CONTROLLED DOCUMENT.  
 DIMENSIONING AND TOLERANCING PER GPS (ISO STANDARDS).

DIMENSIONS: MASSEINHEITEN: (MM)

TOLERANCES UNLESS OTHERWISE SPECIFIED: ALLGEMEINTOLERANZEN

1 PLC ±  
 2 PLC ±  
 3 PLC ±  
 4 PLC ±  
 ANGLES/WINKEL ±

FINISH/OBERFLAECHE/FARBE

MATERIAL -

DWN H.BRAUN 25SEP2007  
 CHK T.VETTER 27OCT2008  
 APVD T.SCHNURPFIL 27OCT2008

PRODUCT SPEC PRODUKTSPEZ. 108-74097  
 APPLICATION SPEC VERARBEITUNGSSPEZ. 114-74103

WEIGHT GEWICHT -

Customer Drawing /KUNDENZEICHNUNG

TOLERANCING ISO 8015  
 TOLERIERUNG ISO 8015

**STE** TE Connectivity

NAME ANGLED CONNECTOR HOUSING ASS'Y  
 SERIES HC26, DESIGN PLASTIC  
 POWER 4 NET

SIZE A3 CAGE CODE 00779 DRAWING NO. ZEICHNUNGS-NR. C=1103434 RESTRICTED TO NUR FUER -

SCALE MASSSTAB 2:1 SHEET BLATT 1 OF VON 1 REV E2