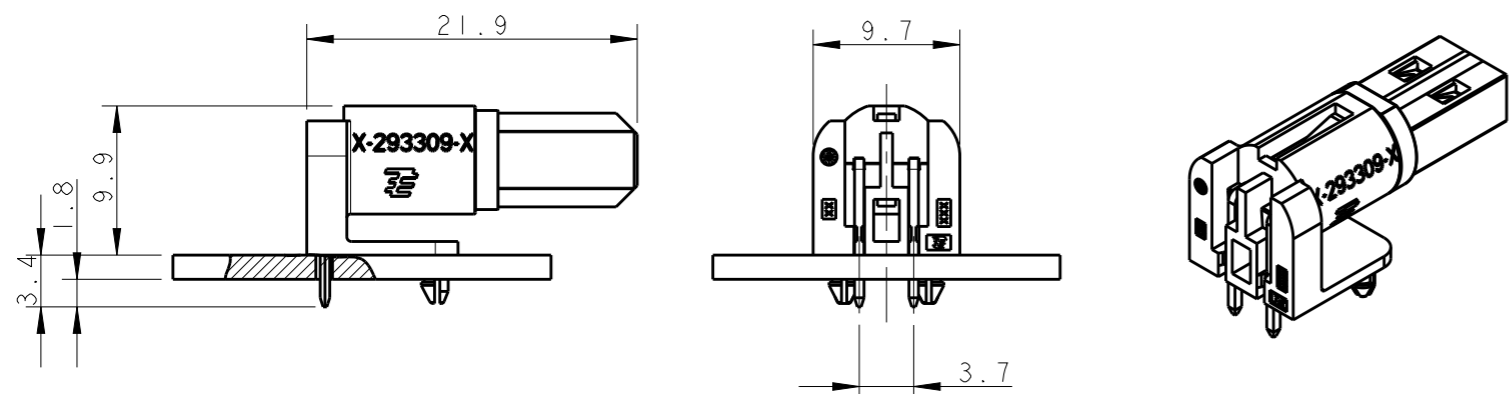


THIS DRAWING IS UNPUBLISHED. RELEASED FOR PUBLICATION 20  
 © COPYRIGHT 20 BY - ALL RIGHTS RESERVED.

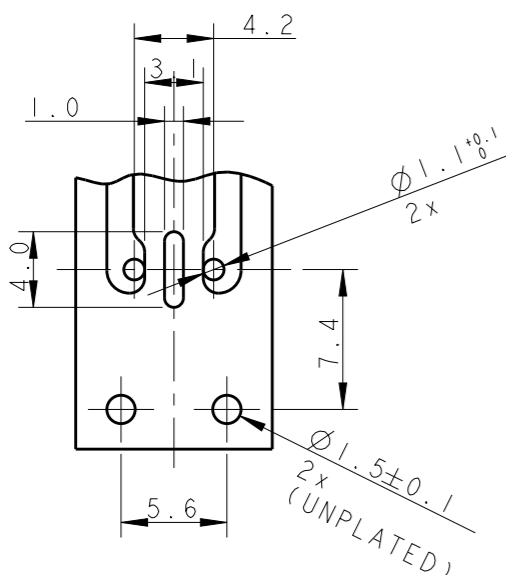
LOC	DIST	REVISIONS					
		P	LTR	DESCRIPTION	DATE	DWN	APVD
1	2		A	FIRST ISSUE	18FEB2010	AV	GT
			A1	REVISED PCB HOLES LAYOUT	04APR2011	AV	GT
			A2	REVISED PER ECR-13-009678	18SEP2013	RS	DD

### TYPICAL APPLICATION

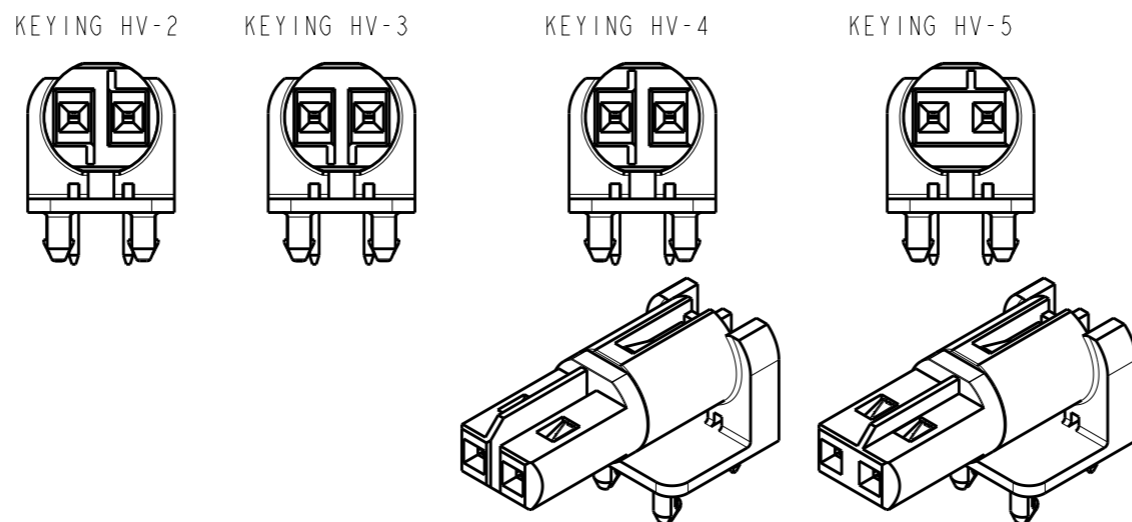


### PRINTED CIRCUIT BOARD LAYOUT FOR HIGH VOLTAGE VERSION

TOLERANCES UNLESS OTHERWISE SPECIFIED ± 0.05  
 PRINTED CIRCUIT BOARD THICKNESS: 1.6 mm NOMINAL



### HIGH VOLTAGE

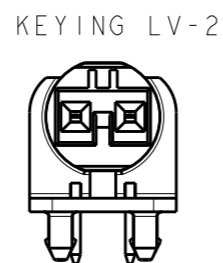


### MATERIALS:

- 1) CONTACTS: SOLDERING SIDE TIN PLATED Ph. BRONZE  
 RECEPTACLE IN SPECIAL ALLOY COPPER TIN PLATED
- HOUSING: PBT 15%GFF UL 94 V0 WHITE COLOR

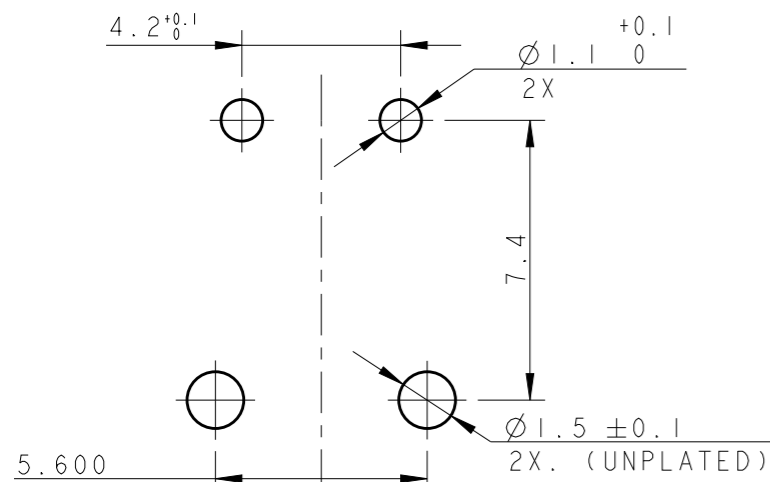
△2 TO BE USED FOR SWITCH APPLICATION ONLY

### LOW VOLTAGE



### PRINTED CIRCUIT BOARD LAYOUT FOR LOW VOLTAGE VERSION

TOLERANCES UNLESS OTHERWISE SPECIFIED ± 0.05  
 PRINTED CIRCUIT BOARD THICKNESS: 1.6 mm NOMINAL



NOTE	KEYING	REMARKS	PART NUMBER	REV.
	LV-2	LOW-VOLT 42 V DC	293654-5	A
	HV-5	HIGH-VOLT 125 V AC	293654-4	A
	HV-4	HIGH-VOLT 125 V AC	293654-3	A
	HV-3	HIGH-VOLT 125 V AC	293654-2	A
△2	HV-2	HIGH-VOLT 125 V AC	293654-1	A

THIS DRAWING IS A CONTROLLED DOCUMENT.		DWN A. Vecchia 18FEB2010	TE Connectivity	
DIMENSIONS: mm		CHK G. Turco 18FEB2010		
TOLERANCES UNLESS OTHERWISE SPECIFIED:		APVD G. TURCO 18FEB2010	NAME 7.5 mm PCB CONNECTOR ASSEMBLY 90 DEGREE FEMALE VERSION FOR USA MARKET	
0 PLC ±- 1 PLC ±0.5 2 PLC ±0.3 3 PLC ±- 4 PLC ±- ANGLES ±0.5°		PRODUCT SPEC 108-20294	SIZE A300779	
MATERIAL -		APPLICATION SPEC 114-32102	DRAWING NO C-293654	
FINISH -		WEIGHT -	RESTRICTED TO -	
CUSTOMER DRAWING		SCALE 5:1		SHEET 1 OF 1 REV A2